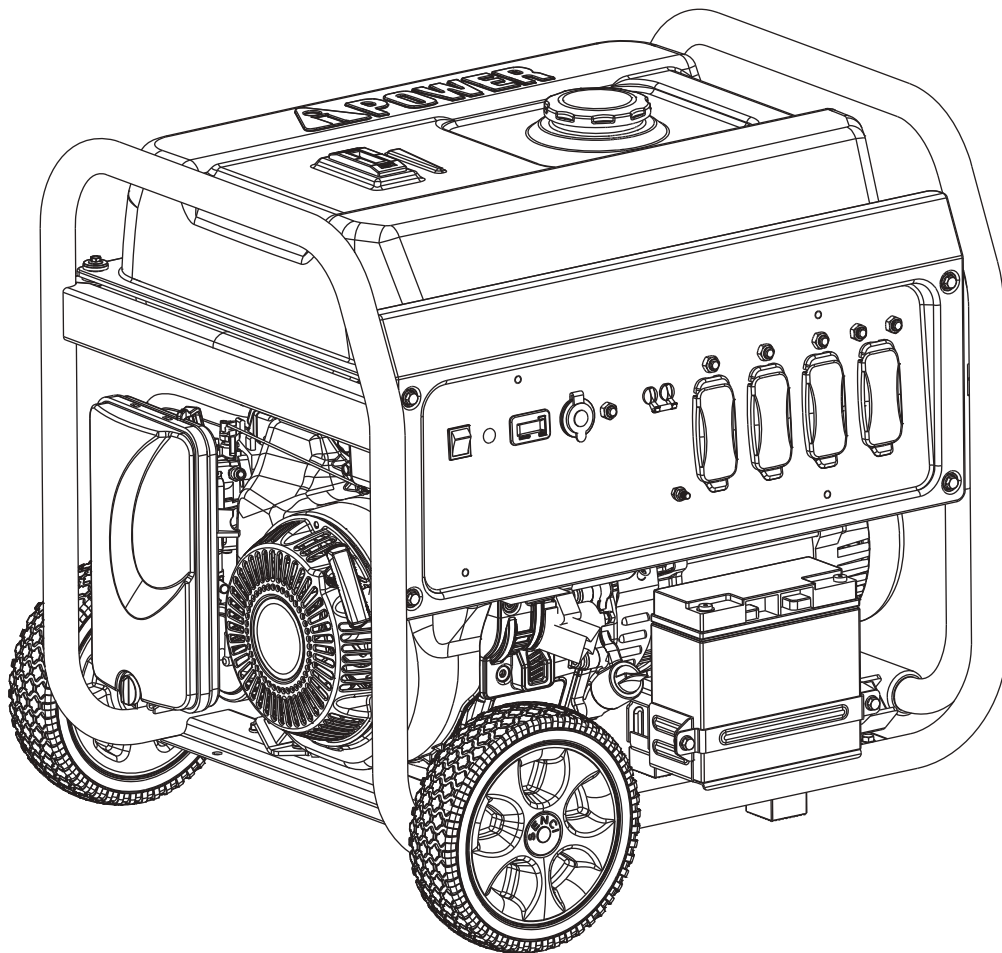




# PORTABLE GENERATOR

## Owner's Manual



 **DO NOT RETURN TO STORE!**  
 **CALL US FIRST**  
**1-855-888-3598**  
**FOR SUPPORT**



Model: \_\_\_\_\_  
Serial: \_\_\_\_\_  
Date Purchased: \_\_\_\_\_

**AP10000E REV00**

**P/N: 32082-00000-00**

**SAVE THIS MANUAL FOR FUTURE REFERENCE**

# Table of Contents

<b>Introduction.....</b>	<b>1</b>	<b>Maintenance And Storage.....</b>	<b>17</b>
<b>Safety.....</b>	<b>1</b>	Maintenance Schedule.....	17
<b>General Safety Precautions.....</b>	<b>2</b>	Engine Maintenance.....	17
<b>Unpacking the Generator.....</b>	<b>7</b>	Engine Oil Level Check.....	17
Parts Included.....	7	Change Engine Oil.....	18
<b>Assembly.....</b>	<b>7</b>	Spark Plug Maintenance.....	18
Install the Wheel Kit.....	7	Air Filter Maintenance.....	19
Install the Support Leg.....	8	Battery Replacement.....	19
Battery Cable Connection.....	8	Cleaning the Spark Arrestor.....	20
<b>Controls and Features.....</b>	<b>9</b>	Valve Clearance.....	20
<b>Control Panel Features.....</b>	<b>10</b>	Generator Maintenance.....	20
<b>Specifications.....</b>	<b>11</b>	Storage.....	20
Add Engine Oil.....	12	<b>Trouble Shooting.....</b>	<b>22</b>
Low Oil Shutdown.....	12	<b>Parts Diagram and Parts List.....</b>	<b>23</b>
Add Fuel.....	14	Parts Diagram.....	23
Operation at High Altitude.....	13	Parts List.....	24
Grounding.....	13	Circuit Diagram.....	25
Connecting to a Building's Electrical System.....	13	<b>Warranty.....</b>	<b>26</b>
<b>Operation.....</b>	<b>14</b>		
Generator Location.....	14		
Surge Protection.....	14		
Starting the Generator.....	14		
Connecting Electrical Loads.....	15		
Stopping the Engine.....	16		
Low Oil Shutdown.....	16		
Do Not Overload Generator.....	16		

# INTRODUCTION

## Read This Manual Thoroughly

### **WARNING**



Read and understand manual completely before using product. Failure to completely understand manual and product could result in death or serious injury.

If any section of this manual is not understood, contact customer Service at 1-855-888-3598, or [www.a-ipower.com](http://www.a-ipower.com) for starting, operating and servicing procedures. The owner is responsible for proper maintenance and safe use of the unit. **SAVE THESE INSTRUCTIONS** for future reference. This manual contains important instructions that must be followed during placement, operation and maintenance of the unit and its components. Always supply this manual to any individual that will use this unit.

The information in this manual is accurate based on products produced at the time of publication. The manufacturer reserves the right to make technical updates, corrections and product revisions at any time without notice.

### **WARNING**

Operating, servicing, and maintaining this equipment can expose you to chemicals including engine exhaust, carbon monoxide, phthalates, and lead, which are known to the State of California to cause cancer and birth defects or other reproductive harm. To minimize exposure, avoid breathing exhaust, and wear gloves or wash your hands frequently when servicing this equipment. For more information go to [www.P65warnings.ca.gov](http://www.P65warnings.ca.gov).

# SAFETY

The words DANGER, WARNING, CAUTION, and NOTICE are used throughout this manual to highlight important information. Make sure that the meanings of this safety information is known to all who operate, perform maintenance on, or are near the generator.



This safety alert symbol appears with most safety statements. It means attention, become alert, your safety is involved! Please read and abide by the message that follows the safety alerts symbol.

The manufacturer cannot possibly anticipate every possible circumstance that might involve a hazard. The warnings in this manual and the tags and decals affixed to the unit are therefore not all-inclusive. If you use a procedure, work method or operating technique that the manufacturer does not specifically recommend you must satisfy yourself that it is safe for you and others. You must also make sure that the procedure work method or operating technique that you choose does not render the generator unsafe.

## DEFINITIONS AND SYMBOLS

### **DANGER**

Indicates a hazard which, if not avoided, will result in death or serious injury.

### **WARNING**

Indicates a hazard which, if not avoided, could result in death or serious injury.

### **CAUTION**

Indicates a hazard which, if not avoided, could result in minor or moderate injury.

### **NOTICE**

Indicates information considered important, but not hazard-related (e.g., messages relating to property damage).



Asphyxiation Hazard



Electric Shock Hazard



Fire Hazard



Explosion Hazard



Hot Surface.  
Do Not Touch the Surface.  
Burn Hazard



Moving Parts Hazard



Kickback



Operator's Manual

## GENERAL SAFETY PRECAUTIONS

### ⚠ DANGER

Using a generator indoors **CAN KILL YOU IN MINUTES**. Generator exhaust contains carbon monoxide. This is a poison you cannot see or smell.



**NEVER** use inside a home or garage, **EVEN IF** doors and windows are open.



Only use **OUTSIDE** and far away from windows, doors and vents.

Avoid other generator hazards. **READ MANUAL BEFORE USE.**

### ⚠ DANGER

#### POISONOUS GAS HAZARD



Engine exhaust contains carbon monoxide, a poisonous gas that could kill you in minutes. You **CANNOT** smell it, see it, or taste it. Even if you do not smell exhaust fumes, you could still be exposed to carbon monoxide gas.

### ⚠ DANGER



The exhaust system must be properly maintained. Do not alter or modify the exhaust system as to render it unsafe or make it noncompliant with local codes and/or standards. Failure to do so will result in death or serious injury.

### ⚠ WARNING



Always, install battery operated carbon monoxide alarm indoors and installed according to the manufacturer's instruction.

- Operate this product **ONLY** outside far away from windows, doors and vents to reduce the risk of carbon monoxide gas from accumulating and potentially being drawn towards occupied spaces. **DO NOT** run this product inside homes, garages, basements, crawl spaces, sheds, or other partially-enclosed spaces even if using fans or opening doors and windows for ventilation. Carbon monoxide can quickly build up in these spaces and can linger for hours, even after this product has shut off.
- **ALWAYS** place this product downwind and point the engine exhaust away from occupied spaces. If you start to feel sick, dizzy, or weak while using this product, shut it off and get to fresh air **RIGHT AWAY**. See a doctor. You may have carbon monoxide poisoning.

### ⚠ WARNING

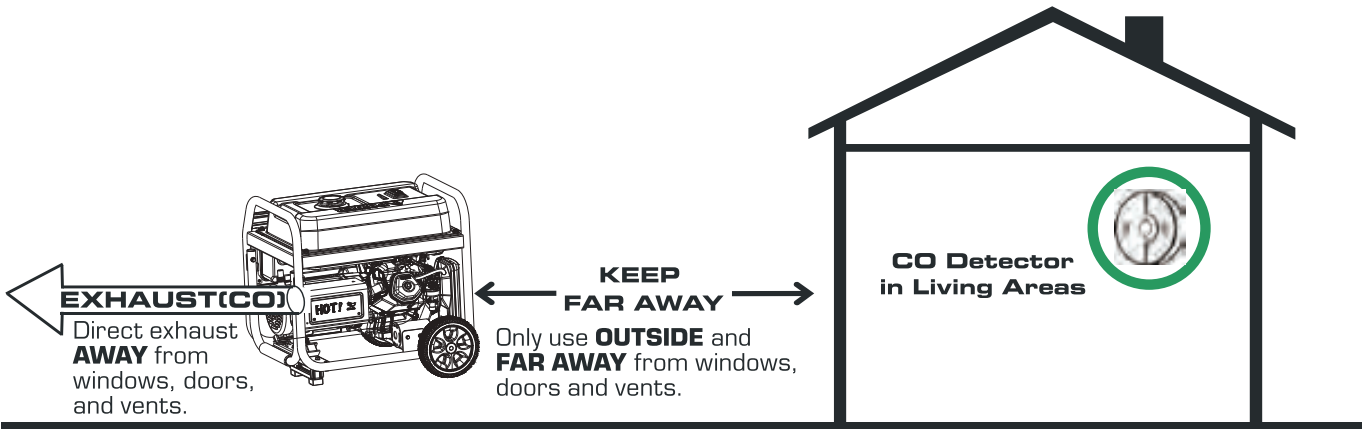
If you start to feel sick, dizzy or weak while using the portable generator, you may have carbon monoxide poisoning. Get out side to fresh air immediately and call 911 for emergency medical attention. Very high levels of CO can rapidly cause victims to lose consciousness before they can rescue themselves. **DO NOT** attempt to shut off the generator before moving to fresh air. Entering an enclosed space where a generator is or has been running may put you at greater risk of CO poisoning.



## CORRECT USAGE

### Example location to reduce risk of carbon monoxide poisoning

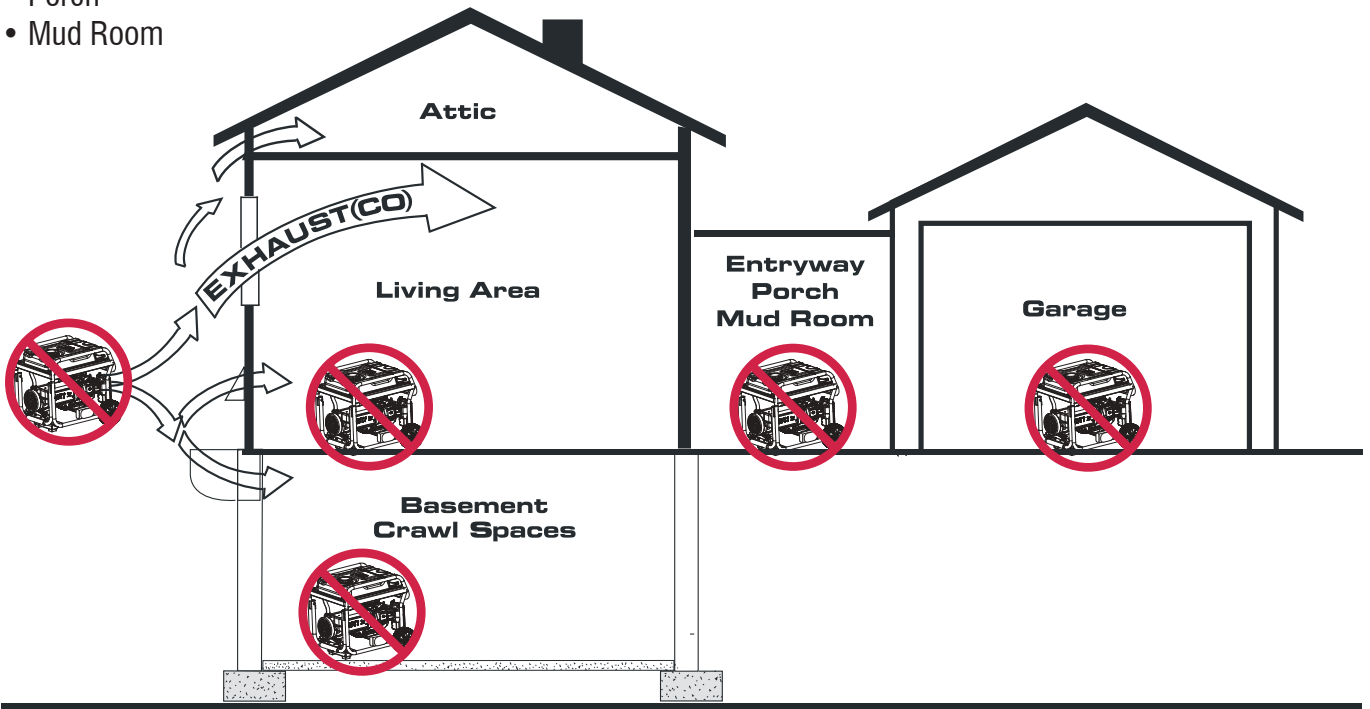
- ONLY use outside and downwind, far away from windows, doors and vents.
- Direct exhaust away from occupied spaces.



## INCORRECT USAGE

### Do not operate in any of the following locations:

- Near any door, window or vent
- Garage
- Basement
- Crawl Space
- Living Area
- Attic
- Entry Way
- Porch
- Mud Room



## WARNING



Starter cord kickback (rapid retraction) will pull hand and arm toward engine faster than you can let go which could cause broken bones, fractures, bruises, or sprains resulting in serious injury.

- When starting engine, pull cord slowly until resistance is felt and then pull rapidly to avoid kickback.
- **NEVER** start or stop engine with electrical devices plugged in and turned on.

## DANGER



Fuel and its vapor are extremely flammable and explosive. Add fuel in a well ventilated area. Keep sparks, open flames and other ignition sources away. Failure to do so will result in death and serious injury.

## DANGER



Do not overfill tank. Allow space for fuel expansion. If fuel spills wait until it evaporates before starting engine. Failure to do so will result in death and serious injury.

### WHEN ADDING OR DRAINING FUEL

- Turn generator engine OFF and let it cool at least 2 minutes before removing fuel cap. Loosen cap slowly to relieve pressure in tank.
- Fill or drain fuel tank outdoors.
- **DO NOT** overfill tank. Allow space for fuel expansion.
- If fuel spills, wait until it evaporates before starting engine.
- Keep fuel away from sparks, open flames, pilot lights, heat, and other ignition sources.
- Check fuel lines, tank, cap, and fittings frequently for cracks or leaks. Replace if necessary.
- **DO NOT** light a cigarette or smoke.

### WHEN STARTING EQUIPMENT

- Ensure spark plug, muffler, fuel cap, and air cleaner are in place.
- **DO NOT** crank engine with spark plug removed.

### WHEN OPERATING EQUIPMENT

- **DO NOT** operate this product inside any building, carport, porch, mobile equipment, marine applications, or enclosure.
- **DO NOT** tip engine or equipment at angle which causes fuel to spill.
- **DO NOT** stop engine by moving choke control to "Start" position.

### WHEN TRANSPORTING, MOVING OR REPAIRING EQUIPMENT

- Transport/move/repair with fuel tank EMPTY or with fuel shutoff valve OFF.
- **DO NOT** tip engine or equipment at angle which causes fuel to spill.
- Disconnect spark plug wire.

### WHEN STORING FUEL OR EQUIPMENT WITH FUEL IN TANK

- Store away from furnaces, stoves, water heaters, clothes dryers, or other appliances that have pilot light or other ignition source because they could ignite fuel vapors.

## DANGER



Generator voltage could cause electrical shock or burn will result in death or serious injury.

## DANGER



Never use generator in wet or damp locations. Never expose generator to rain, snow, water spray while in use. Protect generator from all hazardous weather conditions. Moisture, or ice can cause a short circuit or other malfunction in the electric circuit. Water contact with a power source if not avoided, will result in death or serious injury.

## DANGER



Contact with terminals, bare wires and electrical connections when generator is running will result in death or serious injury.

## DANGER



Fire and electrocution hazard. Do not connect to a building's electrical system unless the generator and transfer switch have been properly installed and the electrical output has been verified by a qualified electrician. The connection must isolate the generator power from utility power and must comply with all applicable laws and electrical codes.

- Use a ground fault circuit interrupter (GFCI) in any damp or highly conductive area, such as metal decking or steel work.
- **DO NOT** use generator with electrical cords which are worn, frayed, bare or otherwise damaged.
- **DO NOT** allow unqualified persons or children to operate or service generator.

## WARNING



Exhaust heat/gases could ignite combustibles, structures or damage fuel tank causing a fire, resulting in death or serious injury.

Contact with muffler area could cause burns resulting in serious injury.

## WARNING



When operating machine, do not touch hot surfaces. Keep machine away from combustibles during use. Hot surfaces could result in severe burns or fire.

- Allow equipment to cool before touching.
- Replacement parts must be the same and installed in the same position as the original parts.

- It is a violation of California Public Resource Code, Section 4442, to use or operate the engine on any forest-covered, brush-covered, or grass-covered land unless the exhaust system is equipped with a spark arrester, as defined in Section 4442, maintained in effective working order. Other states or federal jurisdictions may have similar laws. Contact the original equipment manufacturer, retailer, or dealer to obtain a spark arrester designed for the exhaust system installed on this engine.

## WARNING



Unintentional sparking could cause fire or electric shock resulting in death or serious injury.

### WHEN ADJUSTING OR MAKING REPAIRS TO YOUR GENERATOR

- Disconnect the spark plug wire from the spark plug and place the wire where it cannot contact spark plug.

### WHEN TESTING FOR ENGINE SPARK

- Use approved spark plug tester.
- **DO NOT** check for spark with spark plug removed.

## WARNING



Starter and other rotating parts could entangle hands, hair, clothing, or accessories. Keep away from rotating parts, failure to do so could result in death or serious injury.

- **DO NOT** wear loose clothing, jewelry or anything that could be caught in the starter or other rotating parts.

## CAUTION

Excessively high operating speeds could result in minor injury. Excessively low operating speeds impose a heavy load.

- **DO NOT** tamper with governor spring, links or other parts to increase engine speed. Generator supplies correct rated frequency and voltage when running at governed speed.
- **DO NOT** modify generator in any way.

**⚠ NOTICE**

Exceeding generators wattage/amperage capacity could damage generator and/or electrical devices connected to it.

- **DO NOT** exceed the generator’s wattage amperage capacity.
- Start generator and let engine stabilize before connecting electrical loads.
- Connect electrical loads in OFF position, then turn ON for operation.
- Turn electrical loads OFF and disconnect from generator before stopping generator.

**⚠ NOTICE**

Improper treatment of generator could damage it and shorten its life.

- Use generator only for intended uses.
- If you have questions about intended use, ask dealer or contact local service center.
- Operate generator only on level surfaces.
- **DO NOT** expose generator to excessive moisture, dust, dirt, or corrosive vapors.
- **DO NOT** insert any objects through cooling slots.
- If connected devices overheat, turn them off and disconnect them from generator.
- Shut off generator if:
  - Electrical output is lost.
  - Equipment sparks, smokes, or emits flames.
  - Unit vibrates excessively.

**⚠ WARNING**

**Medical and Life Support Uses.**

- In case of emergency, call 911 immediately.
- NEVER use this product to power life support devices or life support appliances.
- NEVER use this product to power medical devices or medical appliances.
- Inform your electricity provider immediately if you or anyone in your household depends on electrical equipment to live.
- Inform your electrical provider immediately if a loss of power would cause you or anyone in your household to experience a medical emergency.

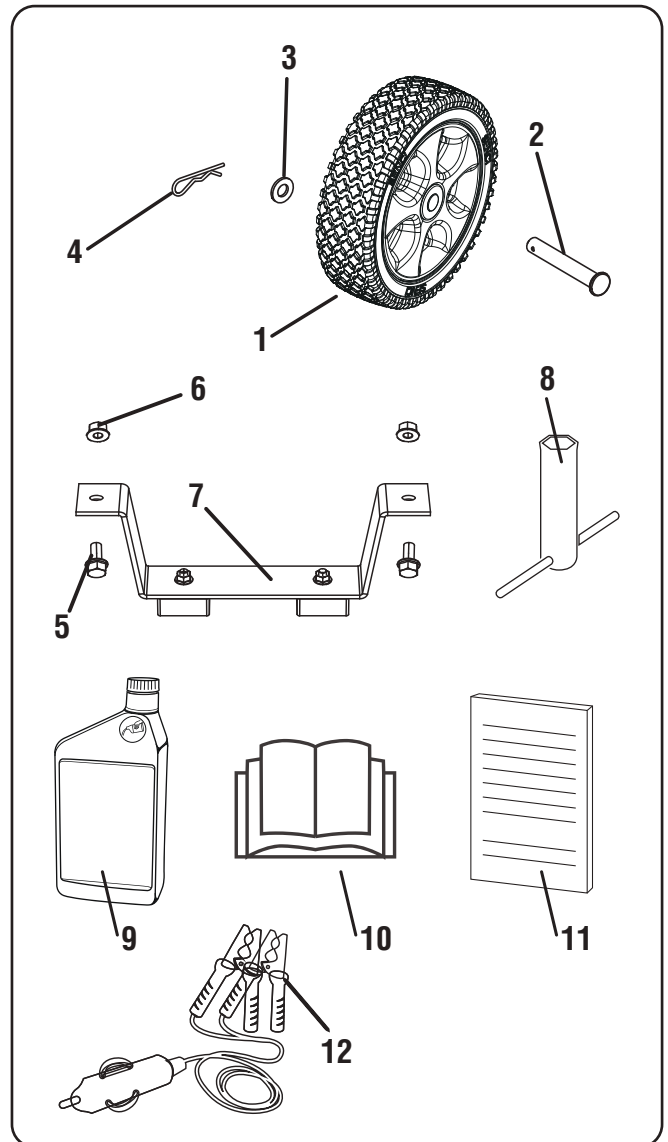
# UNPACKING THE GENERATOR

- Open carton completely. Remove and verify carton content prior to assembly. Your generator ships with following items.
- Call our customer service at 1-855-888-3598 with the unit model and serial number for any missing item.
- Record model, serial number, and date of purchase on front cover of this manual for your own record.

## Parts Included

Your gasoline powered generator ships with the following parts:

NO.	Item Description	Qty
1	Wheels (9.0" Flat Free)	2
2	Axle Pin	2
3	Flat Washer	2
4	Cotter Pin	2
5	Flange Bolt M8x16	2
6	Flange Lock Nut M8	2
7	Support Leg with Vibration Mounts	1
8	Spark Plug Wrench	1
9	Oil Bottle (1.0L)	1
10	Owner's Manual	1
11	Quick Start Guide	1
12	12V DC Battery Charging Cable	1



# ASSEMBLY

Your generator requires some assembly prior to usage.

## ⚠ CAUTION

Assembly the generator will require lifting the unit. Always have assistance when lifting the generator.

## ⚠ WARNING

Do not plug in or turn on the generator until it is fully assembled according to the instructions. Failure to completely understand manual and product could result in death or serious injury.

Call our customer service at 1-855-888-3598 for any assembly issues or concerns. Please have model and serial number available.

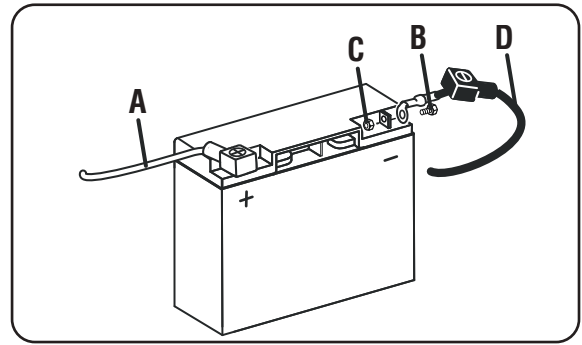
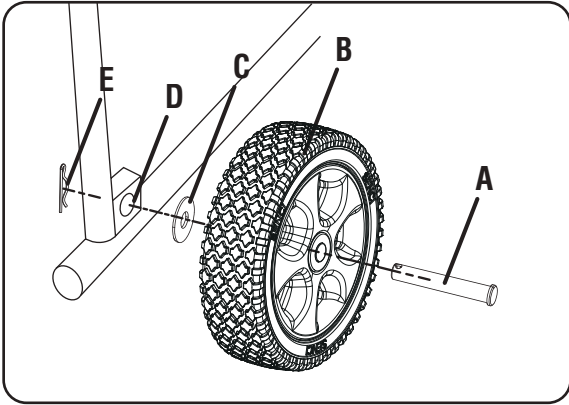
## Install the Wheel Kit

### NOTE:

- The wheels are not intended for over-the-road use.
- 1 - place generator on a flat surface.
  - 2 - Tip the generator on a piece of cardboard or other soft material to protect the frame paint and prevent the generator from sliding.

# ASSEMBLY

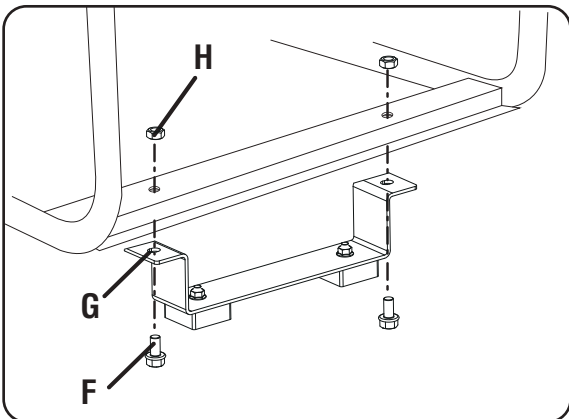
- 3 - Slide axle pin (A) through the wheel (B), flat washer (C) and generator frame axles hole (D).
- 4 - Secure everything with cotter pin (E). Repeat on opposite side.



**IMPORTANT:** Before operating the generator the shock-absorbing seat (K) must be adjusted for clearance. Loosen the lock nut (L) and adjust the shock absorbing seat (K) so there is about 3-4mm gap between the top of the seat and the bottom of the alternator bracket (M). Re-tighten the lock nut after adjustment.

## Install the Support Leg

- 5 - Insert bolts (F) through the support leg (G) and holes on the generator frame as shown.
- 6 - Tighten bolts (F) and nuts (H) to the frame.



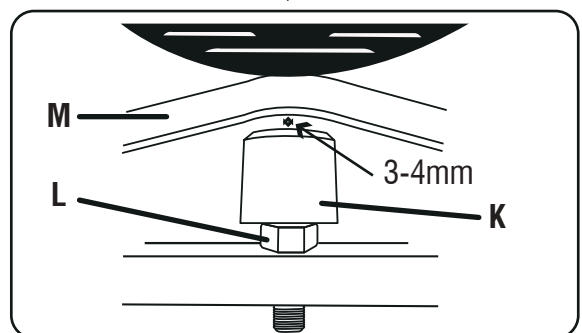
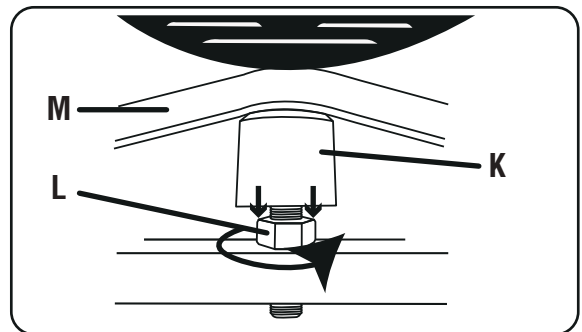
## NOTE:

Handle already is assembled on the unit.

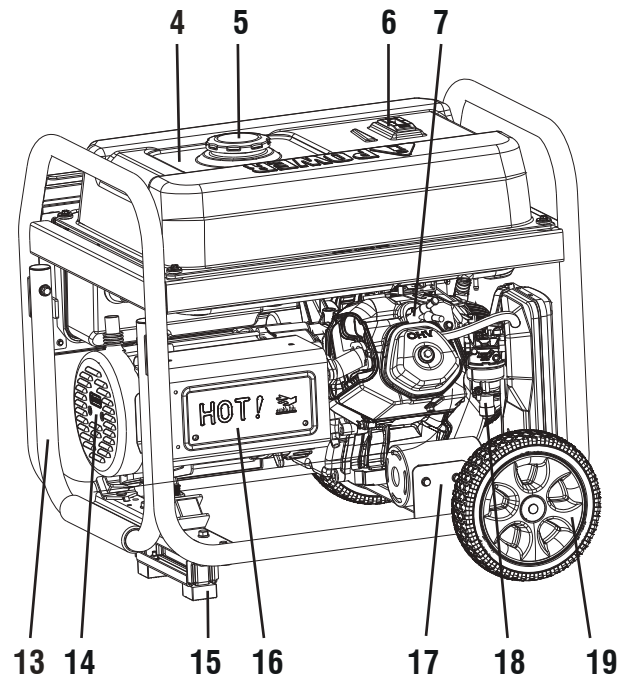
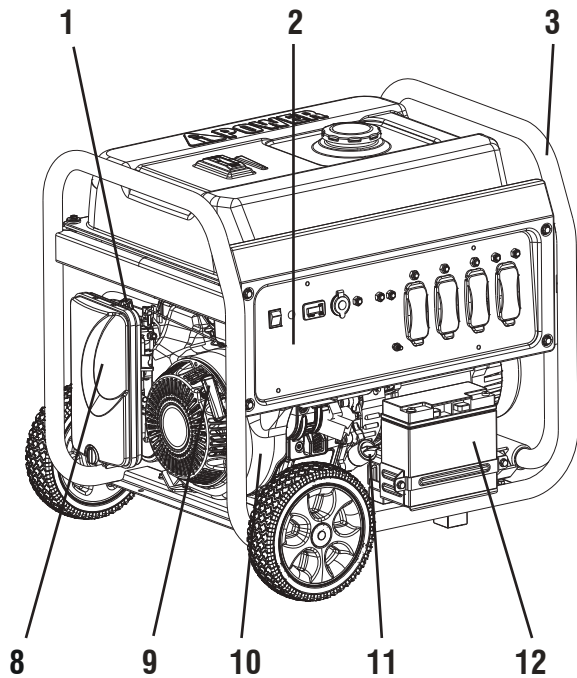
## Battery Cable Connection

**NOTE:** The generator comes equipped with the positive cable (A) (with red boot) already attached.

1. Verify the positive (+) battery cable (A) with red boot is securely tightened to the positive (+) battery post. Make sure boot is over battery post.
2. Remove bolt (B) (M6x12) and nut (C) from battery negative (-) post.
3. Locate negative (-) battery cable (D) with black boot and attach to the negative (-) battery post. Tight the cable with bolt (B) and nut (C). Cover the post with black boot.



# CONTROLS AND FEATURES

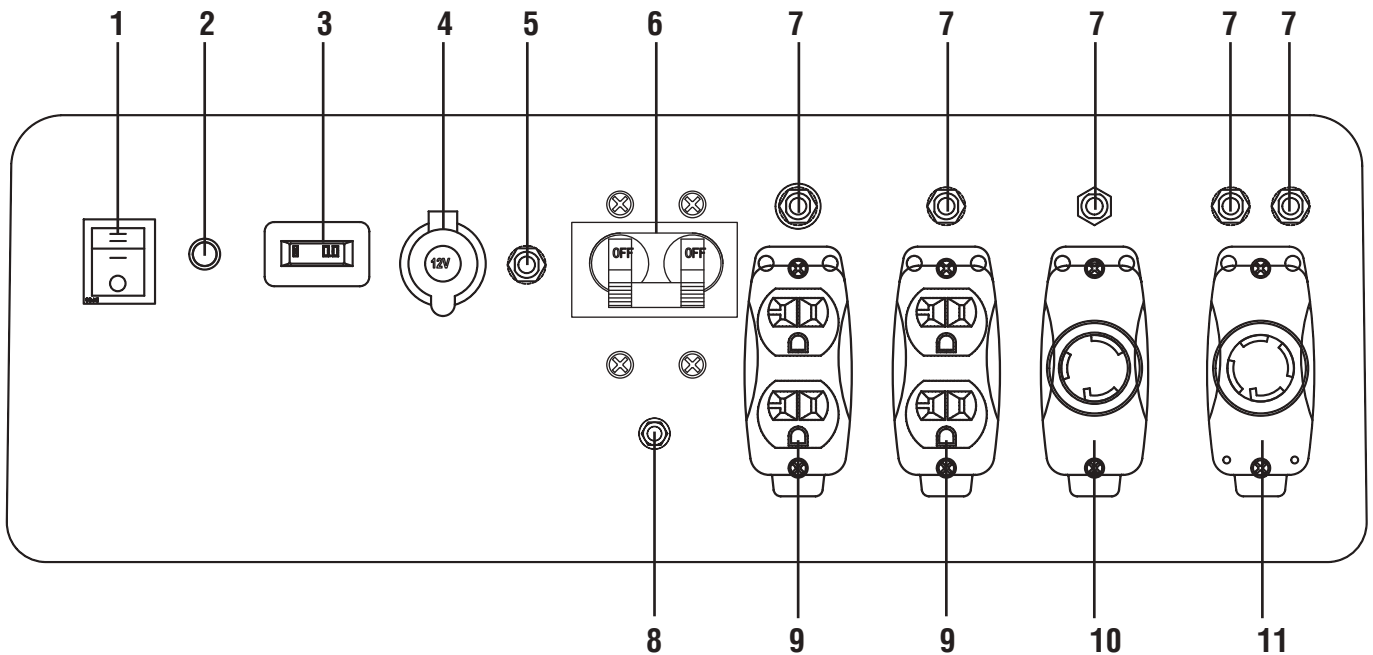


- 1 - Choke Lever
- 2 - Control Panel
- 3 - Frame
- 4 - Fuel Tank
- 5 - Fuel Cap
- 6 - Fuel Gauge
- 7 - Spark Plug
- 8 - Air Filter
- 9 - Recoil Starter
- 10 - Engine

- 11 - Oil Filler Cap/Dipstick
- 12 - Battery
- 13 - Handle
- 14 - Alternator Cover
- 15 - Support Leg
- 16 - Muffler/Spark Arrester
- 17 - Carbon Canister
- 18 - Carburetor
- 19 - Wheel



# CONTROL PANEL FEATURES



**1. Engine Control Switch:** Flip the switch to the “ON (I)” position and pull the recoil starter to start the generator. Turn to the “OFF (O)” position to turn off the generator.

**2. Low Oil Indicator:** The Light will be illuminated when the engine oil level is low. Add oil.

**3. Hour Meter:** Displays and records how many hours your generator has run (up to 9,999.9).

**4. 12V DC,Outlet (Automotive):** Provides 12 volt DC power up to 8.3 amps.

**5. Circuit Breaker(DC):** Protects the generator against electrical overloads.

**6. Main Circuit Breaker:** The main circuit breaker controls total output of all outlets to protect the generator from overload or short circuit.

**7. Circuit Breaker(AC):** Protects the generator against electrical overloads.

**8. Ground Terminal:** The ground terminal is used to ground the generator.

**9. 120V AC, 20A Duplex, Single Phase, 60 Hz Outlets (NEMA 5-20R):** Each outlet is capable of carrying a maximum of 20 Amp on a single outlet or a combination of both outlets.

**10. 120V AC, 30A Twist Lock outlet, single phase, 60 Hz Outlet (NEMA L5-30R):** This receptacle can provide 120 volt output up to 30 amps.

**11. 120/240V AC, 30A Twist Lock, Single Phase, 60 Hz Outlet (NEMA L14-30R):** This outlet can supply either 120 Volt or 240 Volt output.

**NOTE:** Total power drawn from all outlets must not exceed the nameplate rating.

# SPECIFICATIONS

## Generator Specifications

<b>Model</b>	AP10000E (10001-03269-00)
<b>Starting Watts</b>	10000W
<b>Running Watts</b>	8000W
<b>Rated AC Voltage</b>	120/240V
<b>Rated DC Voltage</b>	12V
<b>Rated Frequency</b>	60HZ
<b>Phase</b>	Single
<b>Grounding System (AC)</b>	Neutral Bonded to Frame
<b>Engine Type</b>	Single Cylinder, 4-Stroke OHV Air Cooled
<b>Engine Displacement</b>	420cc
<b>Starting System</b>	Recoil/Electric
<b>Low Oil Shutdown</b>	Yes
<b>Oil Type</b>	10W-30
<b>Oil Capacity</b>	33.8 fl.oz (1.0L)
<b>Spark Plug OEM Type</b>	F7RTC
<b>Spark Plug Replacement Type</b>	NGK BPR7ES or Champion RN9YC
<b>Spark Plug Gap</b>	0.028~0.031inch (0.7~0.8mm)
<b>Valve Intake Clearance</b>	0.004~0.006inch (0.1~0.15mm)
<b>Valve Exhaust Clearance</b>	0.006~0.008inch (0.15~0.2mm)
<b>Voltage Regulation System</b>	AVR
<b>Alternator Excitement System</b>	Brushed
<b>Total Harmonic Distortion (THD)</b>	Standard
<b>Fuel Tank Capacity</b>	10.5Gal (40L)
<b>Fuel Type</b>	Gasoline
<b>Maximun Ambient Temperature</b>	104°F (40°C)
<b>Battery Spec</b>	12V, 12Ah
<b>Certifications</b>	EPA-CARB Compliant

### NOTICE

This product is designed and rated for continuous operation at ambient temperatures up to 104°F(40°C). If needed, this product can be operated at temperatures ranging from 5°F(15°C) - 122°F(50°C) for short periods. If the product is exposed to temperatures outside of this range during storage, it should be brought back within this range before operation. This product must always be operated outdoors in a well-ventilated area and far away from doors, windows, and other vents.

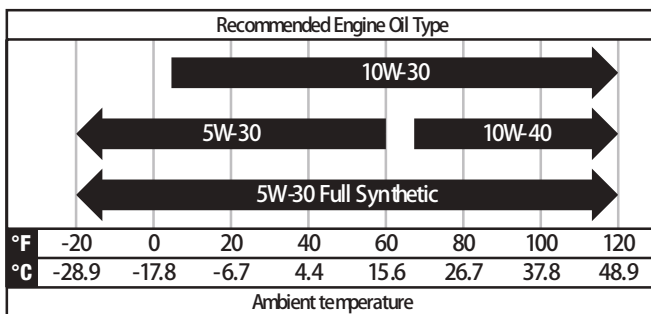
Maximum wattage and current are subject to and limited by such factors as fuel BTU content, ambient temperature, altitude, engine conditions, etc. Maximum power decreases about 3.5% for each 1,000 feet above sea level, and will also decrease about 1% for each 10°F(6°C) above 60°F( 16°C) ambient temperature.

## Add Engine Oil

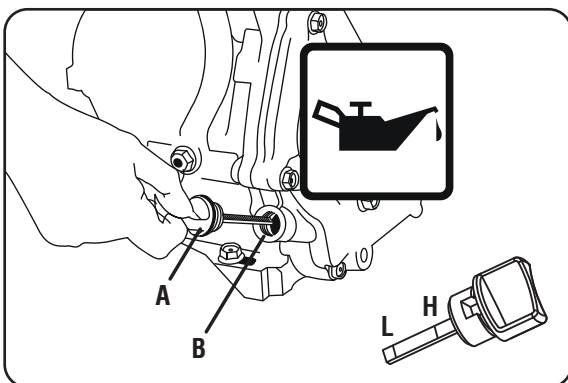
We recommend using SAE 10W-30 APISJ oil for best performance. Other high-quality detergent oils (APISJ or higher) are acceptable. Do not use special additives. Ambient temperature determines the proper oil viscosity for the engine. Use the chart to select the proper oil for the outdoor temperature range expected.

### ⚠ NOTICE

Do not attempt to crank or start the engine before it has been properly filled with the recommended type and amount of oil. Damage due to operation with no oil will void your warranty.



1. Place generator on a flat, level surface.
2. Clean area around oil fill and remove yellow oil fill cap/dipstick (A).
3. Wipe dipstick clean.
4. Using oil funnel, slowly pour contents of provided oil bottle into oil filler neck (B) to the "H" mark on dipstick. Be careful do not overfill. Overfilling with oil could cause the engine to not start or hard starting.
5. Replace oil fill cap/dipstick (A) and fully tighten.
6. Oil level should be checked prior to each use or at least every 8 hours of operation. Keep oil level maintained.



The engine is equipped with a low oil shut-off and will stop when the oil level in the crankcase falls below the threshold level.

### ⚠ NOTICE

We consider the first 5 hours of run time to be the break-in period for the unit. During the break in period stay at or below 50% of the running watt rating and vary the load occasionally to allow stator windings to heat and cool. Adjusting the load will also cause engine speed to vary and help seat piston rings.

### Low Oil Shutdown

The unit is equipped with a low oil shutdown. If the oil level becomes lower than required, the sensor will activate a warning device or stop the engine. If generator shuts off and the oil level is within specifications, check to see if generator is sitting at an angle that forces oil to shift. Place on an even surface to correct this. If engine fails to start, the oil level may not be sufficient to deactivate low oil level switch. Make sure the sump is completely full of oil.

### Add Fuel

### ⚠ DANGER



Fuel and its vapor are extremely flammable and explosive. Add fuel in a well ventilated area. Keep sparks, open flames and other ignition sources away. Failure to do so will result in death and serious injury.

### ⚠ DANGER



Do not overfill tank. Allow space for fuel expansion. If fuel spills wait until it evaporates before starting engine. Failure to do so will result in death and serious injury.

Fuel must meet these requirements:

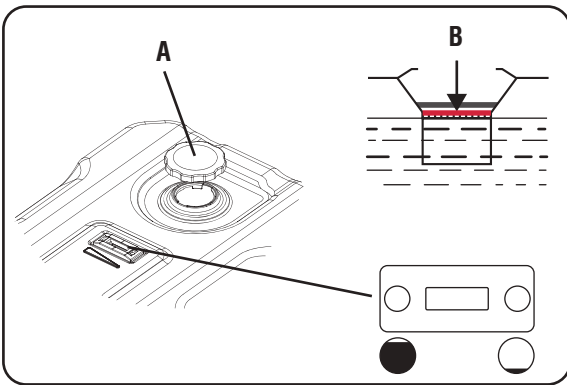
- Clean, fresh, unleaded gasoline.
- Use regular UNLEADED gasoline with the generator engine with a minimum 87 octane / 87 AKI (91 RON). Do not use E85 or E15.

For high altitude use, see "Operation at High Altitude".

- **DO NOT** mix oil in gasoline.
- **DO NOT** modify engine to run on alternate fuels.

**WHEN ADDING FUEL**

- Fill fuel tank outdoors.
- **DO NOT** overfill tank. Allow space for fuel expansion. If the tank is overfilled, fuel can overflow onto a hot engine and cause fire or explosion.
- If fuel spills, wait until it evaporates before starting engine.
- Keep fuel away from sparks, open flames, pilot lights, heat, and other ignition sources.
- Check fuel lines, tank, cap and fittings frequently for cracks or leaks. Replace if necessary.
- **DO NOT** light a cigarette or smoke when filling the fuel tank.



1. Remove the fuel cap (A) slowly.
2. Slowly add unleaded fuel to fuel tank. Be careful not to fill above the red fuel level indicator (B). This allows adequate space for fuel expansion.
3. Install fuel cap and let any spilled fuel evaporate before starting engine .

**NOTICE**

It is important to prevent gum deposits from forming in fuel system parts such as the carburetor, fuel hose or tank during storage. Alcohol-blended fuels (called gasohol, ethanol or methanol) can attract moisture, which leads to separation and formation of acids during storage. Acidic gas can damage the fuel system of an engine while in storage. To avoid engine problems, the fuel system should be emptied before storage of 30 days or longer. See the "Long Term Storage" section. Never use engine or carburetor cleaner products in the fuel tank as permanent damage may occur.

**Operation at High Altitude**

At altitudes over 5,000 feet(1524 meters), a minimum 85 octane gasoline is acceptable. Engine power and generator output will be reduced approximately 3.5% for every 1000 feet (305 m) of elevation above sea level. High altitude may cause hard starting, increased fuel consumption and spark plug fouling. To operate at high altitudes A-iPower can provide a high altitude carburetor main jet. The alternative main jet and installation instructions can be obtained by contacting Customer Support.

**NOTICE**

Operation using an alternative main jet at elevations lower than the recommended minimum altitude can damage the engine. For operation at lower elevations, the standard main jet supplied must be used. Operating the engine with the wrong main jet may increase exhaust emissions, fuel consumption and reduce performance.

**Grounding**

**WARNING**



Shock hazard. Failure to properly ground the generator can result in electric shock.

The national electrical requires your generator must be connected properly to an appropriate ground to help prevent electric shock.

The generator has a system ground that connects the generator frame components to the ground terminals on the AC output receptacles. There may be Federal or State regulations, local codes, or ordinances that apply to the intended use of the generator. Consult a qualified electrician, electrical inspector, or the local agency having jurisdiction. This generator is not intended to be used at a construction site or similar activity as defined by NFPA 70-2020 (NEC) section 590.6.

**Connecting to a Building's Electrical System**

Connections to your home's electrical system must use a listed transfer switch installed by a licensed electrician. The connection must isolate the generator power from the utility power and comply with all applicable laws and electrical codes.

# OPERATION

## Generator Location

### WARNING

Make sure you review each warning in order to prevent fire hazard.

### DANGER

Using a generator indoors **CAN KILL YOU IN MINUTES**. Generator exhaust contains carbon monoxide. This is a poison you cannot see or smell.



Avoid other generator hazards. READ MANUAL BEFORE USE.

### DANGER



Never use generator in wet or damp locations. Never expose generator to rain, snow, water spray or standing water while in use. Protect generator from all hazardous weather conditions. Moisture, or ice can cause a short circuit or other malfunction in the electric circuit. Water contact with a power source if not avoided, will result in death or serious injury.

- Keep area clear of inflammables or other hazardous materials.
- Select a site that is dry, well ventilated and protected from the weather.
- Keep exhaust pipe clear of foreign objects.
- Keep generator away from open flame.
- Keep generator on a stable and level surface.
- Do not block generator air vents with paper or other material.

## Surge Protection

Electronic devices, including computers and many programmable appliances use components that are designed to operate within a narrow voltage range and may be affected by momentary voltage fluctuations. While there is no way to prevent voltage fluctuations, you can take steps to protect sensitive electronic equipment.

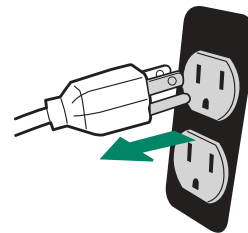
Install UL1449, CSA-listed, plug-in surge suppressors on the outlets feeding your sensitive equipment. Surge suppressors come in single- or multi-outlet styles. They're designed to protect against virtually all short-duration voltage fluctuations.

## Starting the Generator

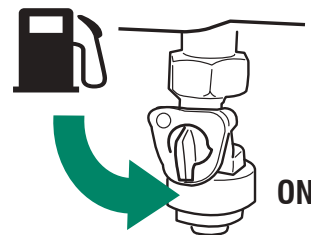
1. Before starting the generator, check for loose or missing parts and for any damage which may have occurred during shipment.
2. Check oil level and fuel.



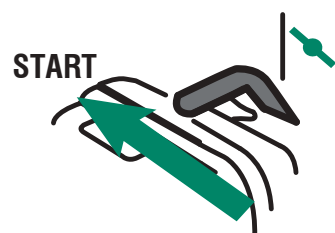
3. Disconnect all electrical loads from the generator. Never start or stop the generator with electrical devices plugged in or turned on.



4. Turn the fuel valve to the "ON" position.



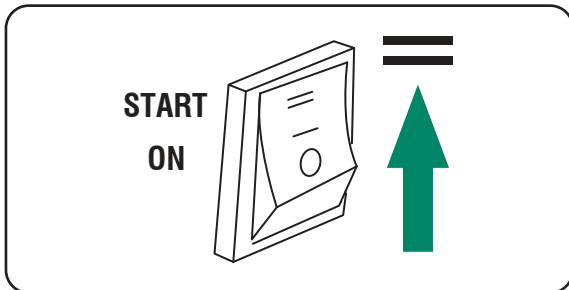
5. Move the choke lever to the "START" position.



## 6. Starting the Generator (Electric / Recoil start)

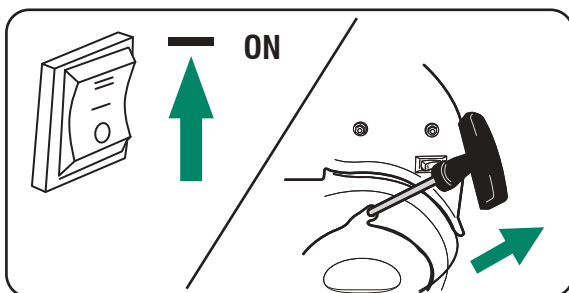
### 6-1. Electric start

Press and hold switch on the “**START**” (II) position. Engine will crank and attempts to start. When the engine starts, release the switch to the “**ON**” (I) position.

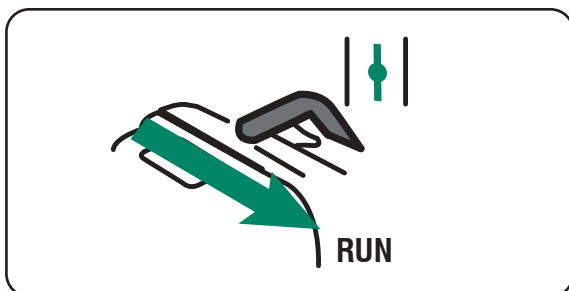


### 6-2. Recoil start

Flip the engine switch to the “**ON**” (I) position. Pull the starter cord slowly until resistance is felt and then pull rapidly.



7. Do not over-choke. As soon as engine starts and warms up, move the choke lever to the “**RUN**” position.



8. Allow generator to run at no load for few minutes upon each initial start-up to permit engine and generator to stabilize.

## **WARNING**



Starter cord kickback (rapid retraction) will pull hand and arm toward engine faster than you can let go which could cause broken bones, fractures, bruises, or sprains resulting in serious injury.

When starting engine, pull cord slowly until resistance is felt and then pull rapidly to avoid kickback.

### **NOTE:**

Keep choke lever in “**START**” position for only 1 pull of the recoil starter. After first pull, move choke lever to the “**RUN**” position for up to the next 3 pulls of the recoil starter. Too much choke leads to sparkplug fouling/engine flooding due to the lack of incoming air. This will cause the engine not to start. If engine starts after 3 pulls but fails to run. Or if unit shuts down during operation, make sure unit is on a level surface and check for proper oil level in crankcase. This unit may be equipped with a low oil protection device. If so, oil must be at proper level for engine to start.

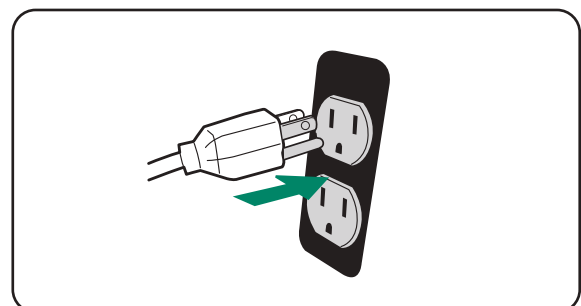
### **Connecting Electrical Loads**

This unit has been pretested and adjusted to handle its full capacity. Before starting the generator, disconnect all loads. Apply load only after generator is running. Voltage is regulated via the engine speed adjusted at the factory for correct output. Re-adjusting will void warranty.

### **NOTE:**

When applying a load, do not exceed the maximum wattage rating of the generator when using one or more receptacles. Also, do not exceed the amperage rating of any one receptacle. Do not apply heavy electrical load during break-in period (the first five hours of operations).

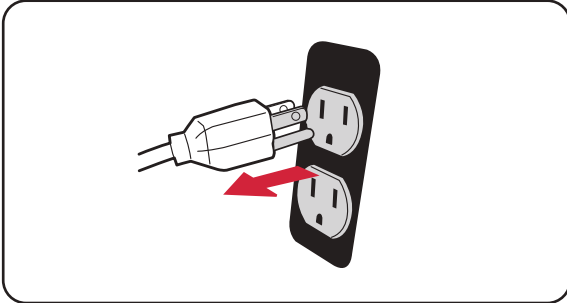
1. Let engine stabilize and warm up for a few minutes after starting.
2. Ensure circuit breaker on control panel is in on position.
3. Plug in and turn on the desired 120 or 240 Volt AC, single phase, 60Hz electrical loads. It is better to attach the item with largest load first.



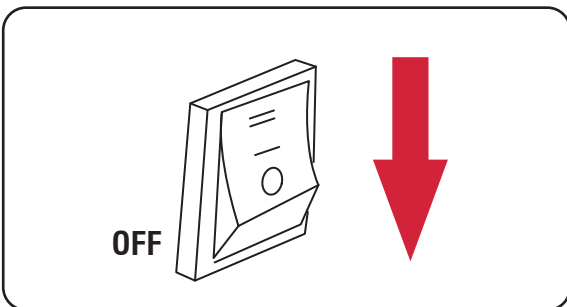


## Stopping the Engine

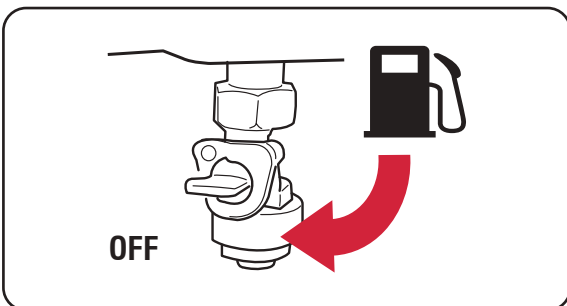
1. Turn off and remove entire electrical loads.  
Never start or stop the generator with electrical devices plugged in or turned on.  
Let the generator run at no-load for two minutes to stabilize internal temperatures of the engine and generator.



2. Press the engine switch to the “OFF” (O) position.  
Do not leave the generator until it has completely stopped.



3. Turn the fuel valve to the “OFF” (O) position.



### **WARNING**



Fuel and its vapors are extremely flammable and explosive which could cause burns, fire or explosion resulting in death or serious injury.

**DO NOT** stop engine by moving choke control to “START” position.

### **NOTE:**

Always ensure that the fuel valve is in the “OFF” position when the engine is not in use.  
If the engine will not be used for a period of two weeks or longer, please see the Storage section for proper engine and fuel storage.

### **Low Oil Shutdown**

If the engine oil drops below a preset level, an oil switch will stop the engine. Check oil level with dipstick.

If oil level is between LOW and HIGH mark on dipstick:

1. **DO NOT** try to restart the engine.
  2. Contact an Authorized Service Dealer.
  3. **DO NOT** operate engine until oil level is corrected.
- If oil level is below LOW mark on dipstick:
1. Add oil to bring level to HIGH mark.
  2. Restart engine and if the engine stops again a low oil condition may still exist. **DO NOT** try to restart the engine.
  3. Contact Customer Service.
  4. **DO NOT** operate engine until oil level is corrected.

### **Do Not Overload Generator**

Overloading a generator in excess of its rated wattage capacity can result in damage to the generator and to connected electrical devices.

To prolong the life of your generator and attached devices, follow these steps to add electrical load:

1. Start the generator with no electrical load attached.
2. Allow the engine to run for several minutes to stabilize.
3. Plug in and turn on the first item. It is best to attach the item with the largest load first.
4. Allow the engine to stabilize.
5. Plug in and turn on the next item.
6. Allow the engine to stabilize.
7. Repeat steps 5-6 for each additional item.



# MAINTENANCE AND STORAGE

## MAINTENANCE SCHEDULE

Regular Maintenance will improve the performance and extend the life of your generator. Follow maintenance schedule intervals whichever occurs first according to use.

**NOTE:** Adverse conditions will require more frequent services.

### Walk-Around Inspection

Before starting the engine perform a visual inspection of the unit. Look for:

- Proper engine oil level
- Proper fuel level
- Fluid leaks
- Loose clamps and bolts
- Cracked fuel line
- Loose or frayed wiring
- Built up debris

Before Each Use
Check engine oil level Walk-around inspection
First 5 Hours (Break-In)
Change engine oil
First 25 Hours or First Month
Change engine oil
Every 100 Hours or 6 Months
Change engine oil Clean Air Filter Inspect/Adjust/Replace Spark plug Inspect/Clean/Replace Spark Arrester
Every 200 Hours or 12 Months
Replace Air filter Replace Spark Plug Inspect/Adjust Valve Clearance*

\* To be performed by authorized service center

### NOTE:

Change oil every month when operating under heavy load or high temperatures. Clean the air filter more often under dirty or dusty operating conditions. Replace air filter if they cannot be adequately cleaned.

### NOTE:

Maintenance should be performed more frequently when generator is used in dusty areas. When generator has exceeded the maximum figures specified in the table, maintenance should still be cycled according to the intervals of time or hours stated herein.

### General Recommendations

Regular maintenance will improve the performance and extend the life of the generator. See any authorized dealer for service.

The generator's warranty does not cover items that have been subjected to operator abuse or negligence. To receive full value from the warranty, the operator must maintain the generator as instructed in this manual.

Some adjustments will need to be made periodically to properly maintain your generator. All service and adjustments should be made at least once each season. Follow the requirements in the Maintenance Schedule chart above.

### ENGINE MAINTENANCE

To prevent accidental starting, remove and ground spark plug wire before performing any service.

### Engine Oil Level Check

#### CAUTION

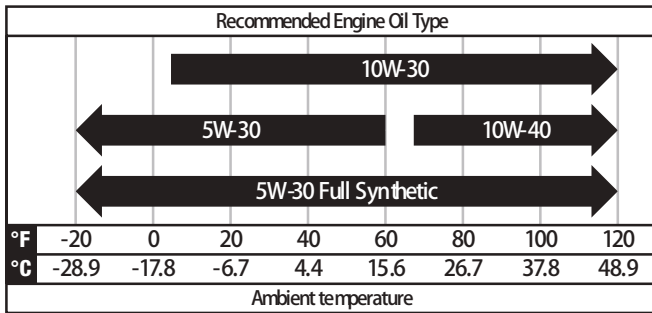
Avoid skin contact with engine oil. Wear protective clothing and equipment. Wash all exposed skin with soap and water.

#### NOTICE

Always use the specified engine oil. Failure to use the specified engine oil can cause accelerated wear and/or shorten the life of the engine.

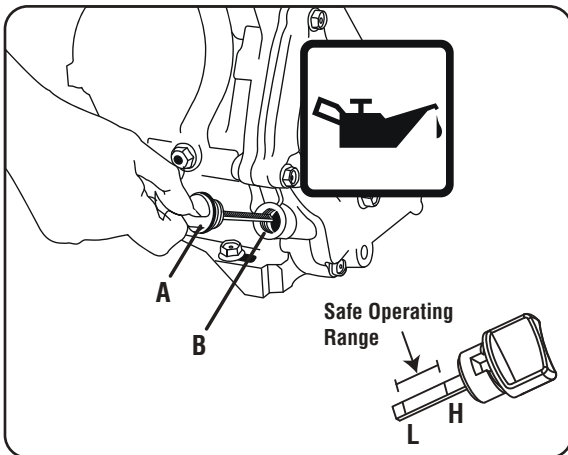
When using the generator under extreme, dirty, dusty conditions or in extremely hot weather, change the oil more frequently.

Ambient air temperature will affect engine oil performance. Change the type of engine oil used based on weather conditions.



Check the engine oil level before each use or every 8 hours of operation.

1. Place the generator on a level surface and allow the engine to cool for several minutes.
2. With a damp rag, clean around the oil dipstick.
3. Remove the oil dipstick (A).
4. Wipe the dipstick clean, then screw dipstick into filler neck (B). Remove the dipstick and verify that the oil level is within safe operating range.
5. If low, add recommended engine oil incrementally and recheck until the level is between the L and H marks on the dipstick. **DO NOT** overfill. If over the full mark on the dipstick, drain the oil to reduce the oil level to the full mark.
6. Replace the oil dipstick and hand-tighten.



## Change Engine Oil

Change engine oil per maintenance schedule. If you are using your generator under extremely dirty or dusty conditions, or in extremely hot weather, change the oil more often.

### WARNING



Risk of burns. Allow engine to cool before draining oil or coolant. Failure to do so could result in death or serious injury.

### CAUTION

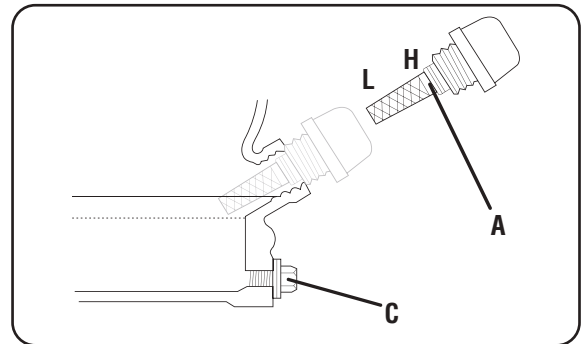
Avoid prolonged or repeated skin contact with used motor oil.

1. Remove the oil cap (A) and wipe dipstick clean.
2. Place a container underneath the oil drain plug to collect used lubricant as it drains.
3. Unscrew the oil drain plug (C) and remove.
4. Allow lubricant to drain completely.

#### NOTE:

Drain the lubricant while the engine is still warm but not hot. Warm lubricant will drain quickly and more completely.

5. Reinstall the oil drain plug (C) and tighten securely.
6. Fill the engine with oil until it reaches the HIGH(H) level on the oil filler cap.
7. Reinstall the oil cap.



If contaminated or deteriorated oil is used or the quantity of the engine oil is not sufficient, engine damage will result and its life will be greatly shortened.

Maximum oil capacity: 33.8 fl.oz (1.0L)

## Spark Plug Maintenance

The spark plug must be properly gapped and free of deposits in order to ensure proper engine operation. To check:

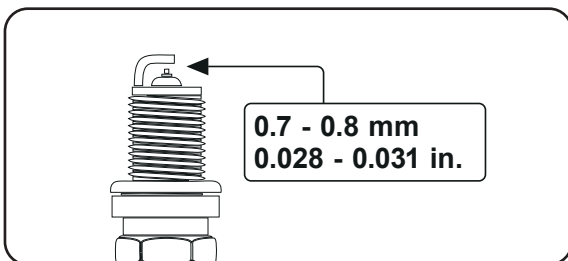
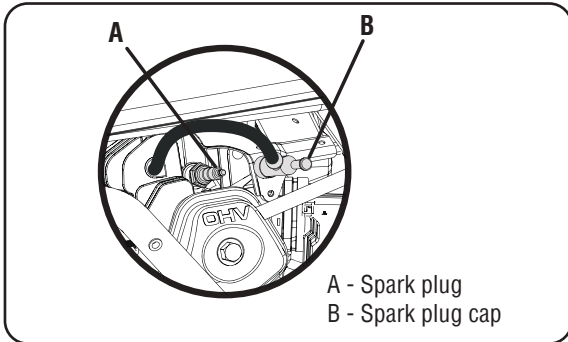
1. Remove the spark plug cap (B).
2. Clean any dirt from around base of spark plug.
3. Remove spark plug (A) using provided wrench.
4. Inspect spark plug for damage, and clean with a wire brush before reinstalling. If insulator is cracked or chipped, spark plug should be replaced.
5. Measure plug gap. The correct gap is 0.028-0.031 in. (0.7-0.8 mm). To widen gap, if necessary, carefully bend the ground (top) electrode. To lessen gap, gently tap ground electrode on a hard surface.
6. Seat spark plug in position; thread in by hand to prevent cross-threading.

- Tighten with wrench to compress washer. If spark plug is new, use 1/2 turn to compress washer appropriate amount. If reusing old spark plug, use 1/8 to 1/4 turn for proper washer compression.

**NOTE:**

An improperly tightened spark plug will become very hot and could damage the engine.

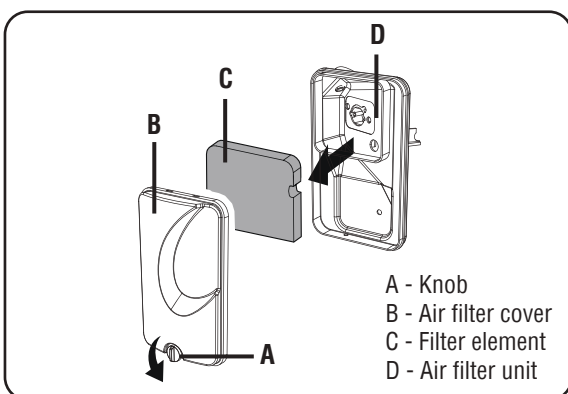
- Reinstall the spark plug cap (B).



**Air Filter Maintenance**

For proper performance and long life, keep air filter clean.

- Turn the knob (A) on the bottom of air the filter cover to release. Remove cover (B) and set aside.
- Remove the filter element (C).
- If the filter element is dirty, clean with warm, soapy water. Rinse and let dry.
- Apply a light coat of engine lubricant to the element, then squeeze it out.
- Replace the element (C) in the air filter unit.
- Replace the air filter cover (B) and fasten knob (A).



**Battery Replacement**

**WARNING**

Burn hazard. The battery contains sulfuric acid (electrolyte) which is highly corrosive and poisonous. Wear protective clothing and eye protection when working near the battery. Keep children away from the battery.

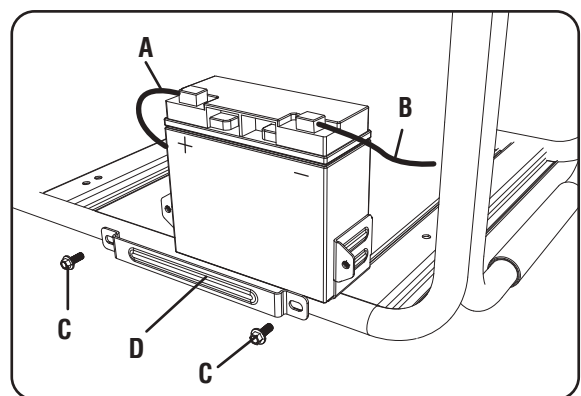
**CAUTION**

Battery posts, terminals contain lead and lead compounds. Wash hands after handling.

- Remove spark plug wire from the spark plug.
- Disconnect positive cable (A) and negative cable (B) from the battery by removing bolts (M6x12) and nuts (M6) from the negative and positive battery posts.
- Loosen and remove bolts (C) (M6x12) on the battery holding bracket (D).
- Replace the battery with new battery.  
Battery specifications: 12V, 12AH sealed lead acid.  
LxWxH: 5.9\*3.4\*5.1 inch (150\*86\*130 mm)
- Reinstall the battery holding bracket (D) and tighten the bolts (C).
- Connect the positive cable with red boot first and then connect the negative cable with black boot. Tighten the bolts and nuts and cover them with boots.
- Install the spark plug wire onto the spark plug.

**NOTICE**

Dispose of the used battery properly according to the guidelines established by your local or state government.

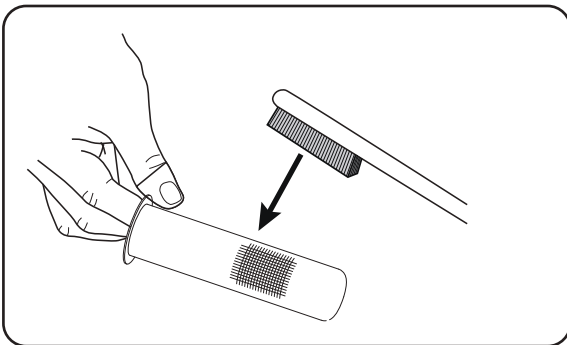
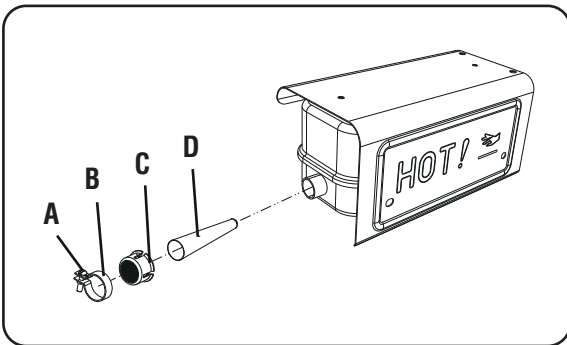


## Cleaning the Spark Arrestor

1. Allow the engine to cool completely before servicing the spark arrestor.
2. Loosen the screw (A) to be able to remove clamp (B) and cover plate (C).
3. Remove the spark arrestor screen (D).
4. Carefully remove the carbon deposits from the spark arrestor screen with a wire brush.
5. Replace the spark arrestor if it is damaged.
6. Position the spark arrestor on the muffler and attach with the screws removed in step 2.

### NOTE:

This product is equipped with a spark arrestor that has been evaluated by the USDA Forest Service; however, product users must comply with Federal, State, and local fire prevention regulations. Check with appropriate authorities. Contact customer service or a qualified service center to purchase a replacement spark arrestor.



## Valve Clearance

**Important:** Please contact Authorized Service Center for service assistance. Proper valve clearance is essential for prolonging the life of the engine. Check valve clearance per maintenance schedule.

Valve Clearance	Intake Valve	Exhaust Valve
	0.004~0.006 inch 0.1~0.15 mm	0.006~0.008 inch 0.15~0.2 mm
Torque	10-12 N·M	10-12 N·M

### NOTICE

Checking and adjusting valve clearance must be done when the engine is cold.

## GENERATOR MAINTENANCE

Make certain that the generator is kept clean and stored properly. Only operate the unit on a flat, level surface in a clean, dry operating environment.

**DO NOT** expose the unit to extreme conditions, excessive dust, dirt, moisture or corrosive vapours.

### NOTE:

**DO NOT** use a garden hose to clean the generator. Water can enter the generator through the cooling slots and damage the generator windings.

Use a damp cloth to clean exterior surfaces of the generator.

Use a soft bristle brush to remove dirt and oil.

Use an air compressor 25 PSI (172 kPa) to clear dirt and debris from the generator.

Inspect all air vents and cooling slots to ensure that they are clean and unobstructed.

## STORAGE

It is recommended to start and run the generator for 30 minutes, every 30 days. If this is not possible, refer to below short term and long term storage.

### Short Term Storage

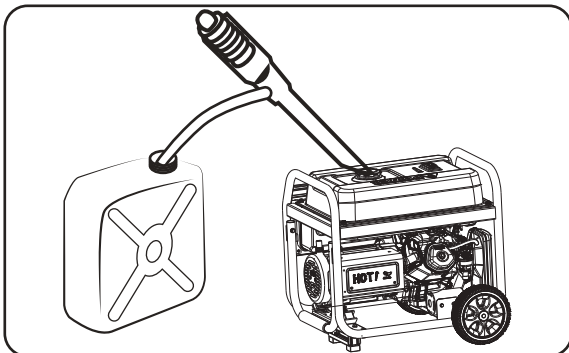
Fill the tank with fresh gasoline and add gasoline stabilizer. Drain the carburetor float bowl.

- 1 - Add a properly formulated FUEL STABILIZER to the tank if it is not already added.
- 2 - Run the engine for 10-15 minutes to circulate stabilizer throughout fuel system.
- 3 - Allow the generator to cool a minimum of 30 minutes and then drain the carburetor float bowl.
- 4 - Clean the generator and store in a cool, dry and well ventilated area out of direct sunlight.

### Long Term Storage (over one year)

For long term storage, the gasoline tank and carburetor must be drained of gasoline.

- 1 - After engine cools down, remove all gasoline from the fuel tank using non-conductive siphon.
- 2 - To remove the remaining gasoline in fuel system:
  - a-Keep the fuel valve open and run the engine until it stops from lack of fuel.
  - Or
  - b-Keep the fuel valve open and drain carburetor float bowl.
- 3 - Change the engine oil.
- 4 - Remove the spark plug.
- 5 - Pour tablespoon( 5-10cc) of clean engine oil into cylinder.
- 6 - Pull starter recoil several times to distribute oil in cylinder.
- 7 - Install spark plug.
- 8 - Pull recoil slowly until resistance is felt. This close valves so moisture cannot enter engine cylinder. Gently release recoil.
- 9 - Clean the generator and store in a cool, dry and well ventilated area out of direct sunlight.



### DRAINING THE FLOAT BOWL

1. Turn the fuel tank valve to the OFF position.
2. Locate the drain screw on the bottom of the carburetor float bowl.
3. Place an appropriate gasoline container under the drain screw to catch the drained fuel.
4. Loosen the float bowl drain screw and allow the fuel to drain. Tighten the float bowl drain screw.

#### DANGER

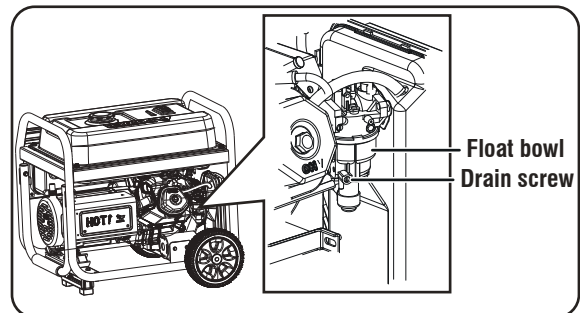


Explosion and Fire. Fuel and vapors are extremely flammable and explosive. Store fuel in a well ventilated area. Keep fire and spark away. Failure to do so will result in death or serious injury.

#### WARNING



Risk of Fire. Verify machine has properly cooled before installing cover and storing machine. Hot surfaces could result in fire.

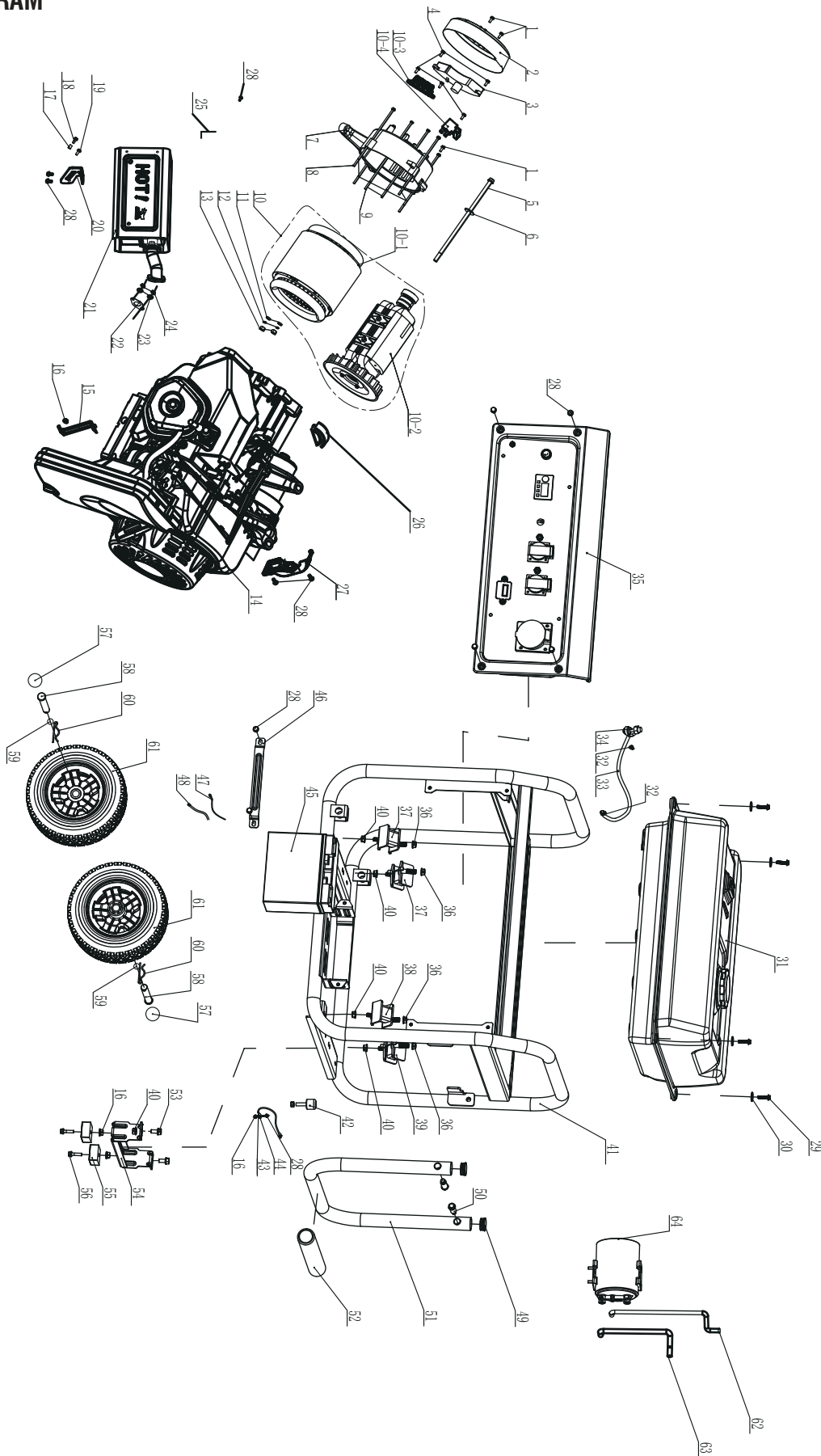


# TROUBLE SHOOTING

PROBLEM	POSSIBLE CAUSE	SOLUTION
Engine is running, but no AC output is available.	<ol style="list-style-type: none"> <li>1. AC Circuit breaker is open.</li> <li>2. Fault in generator.</li> <li>3. Poor connection or defective cord set.</li> <li>4. Connected device is bad.</li> <li>5. GFCI outlet is open (if equipped)</li> </ol>	<ol style="list-style-type: none"> <li>1. Check AC load and reset circuit breaker.</li> <li>2. Contact customer service or authorized service center.</li> <li>3. Check and repair.</li> <li>4. Connect another device that is in good condition.</li> <li>5. Correct ground fault and press reset button on GFCI outlet.</li> </ol>
Engine runs well at no-load, but "bogs down" when loads is connected.	<ol style="list-style-type: none"> <li>1. Short circuit in a connected load.</li> <li>2. Engine speed is too slow.</li> <li>3. Generator is overloaded.</li> <li>4. Shorted generator circuit.</li> <li>5. Clogged or dirty fuel filter.</li> <li>6. Connected device is bad.</li> </ol>	<ol style="list-style-type: none"> <li>1. Disconnect shorted electrical load.</li> <li>2. Contact customer service or authorized service center.</li> <li>3. Reduce load.</li> <li>4. Contact customer service or authorized service center.</li> <li>5. Clean or replace fuel filter.</li> <li>6. Connect another device that is in good condition.</li> </ol>
Engine will not start; starts and runs rough or shuts down when running.	<ol style="list-style-type: none"> <li>1. Engine switch set to OFF (O) position.</li> <li>2. Fuel valve is in OFF (O) position.</li> <li>3. Low oil level.</li> <li>4. Dirty air filter.</li> <li>5. Out of fuel.</li> <li>6. Stale fuel.</li> <li>7. Spark plug wire not connected to spark plug.</li> <li>8. Bad spark plug.</li> <li>9. Water in fuel.</li> <li>10. Flooded.</li> <li>11. Excessively rich fuel mixture.</li> <li>12. Intake valve stuck open or closed.</li> <li>13. Engine has lost compression.</li> <li>14. Clogged or dirty fuel filter.</li> <li>15. Clogged or dirty spark arrester screen.</li> <li>16. Battery drained.</li> <li>17. Battery cable connections are loose.</li> </ol>	<ol style="list-style-type: none"> <li>1. Set engine switch to ON (I) position.</li> <li>2. Move fuel valve to ON (I) position.</li> <li>3. Fill crankcase to proper level or place generator on level surface.</li> <li>4. Clean or replace air cleaner.</li> <li>5. Fill fuel tank.</li> <li>6. Drain fuel tank and carburetor; fill with fresh fuel.</li> <li>7. Connect wire to spark plug.</li> <li>8. Replace spark plug.</li> <li>9. Drain gas tank and carburetor; fill with fresh fuel.</li> <li>10. Wait 5 minutes and re-crank engine.</li> <li>11. Contact customer service or authorized service center.</li> <li>12. Contact customer service or authorized service center.</li> <li>13. Contact customer service or authorized service center.</li> <li>14. Replace fuel filter.</li> <li>15. Clean or replace spark arrester screen.</li> <li>16. Charge the battery. Use the recoil handle to start the generator.</li> <li>17. Make sure battery cables are securely is connected to the battery.</li> </ol>
Engine lacks power.	<ol style="list-style-type: none"> <li>1. Load is too high.</li> <li>2. Dirty air filter.</li> <li>3. Clogged or dirty fuel filter.</li> <li>4. Clogged or dirty spark arrester screen.</li> <li>5. Engine needs to be serviced.</li> <li>6. Bad fuel.</li> </ol>	<ol style="list-style-type: none"> <li>1. Reduce load.</li> <li>2. Replace air filter.</li> <li>3. Clean or replace fuel filter.</li> <li>4. Clean or replace spark arrester screen.</li> <li>5. Contact customer service or authorized service center .</li> <li>6. Drain gas tank and carburetor; fill with fresh fuel.</li> </ol>
Engine "hunts" or falters.	<ol style="list-style-type: none"> <li>1. Carburetor is running too rich or too lean.</li> <li>2. Clogged or dirty fuel filter.</li> <li>3. Choke is opened too soon.</li> </ol>	<ol style="list-style-type: none"> <li>1. Contact customer service or authorized service center .</li> <li>2. Replace fuel filter.</li> <li>3. Set choke to halfway position until engine runs smoothly.</li> </ol>
Engine shuts down when running.	<ol style="list-style-type: none"> <li>1. Out of fuel.</li> <li>2. Dirty air cleaner.</li> <li>3. Low oil level.</li> </ol>	<ol style="list-style-type: none"> <li>1. Fill fuel tank.</li> <li>2. Clean or replace air cleaner.</li> <li>3. Fill crankcase to proper level or place generator on level surface.</li> </ol>



## PARTS DIAGRAM





## Parts List

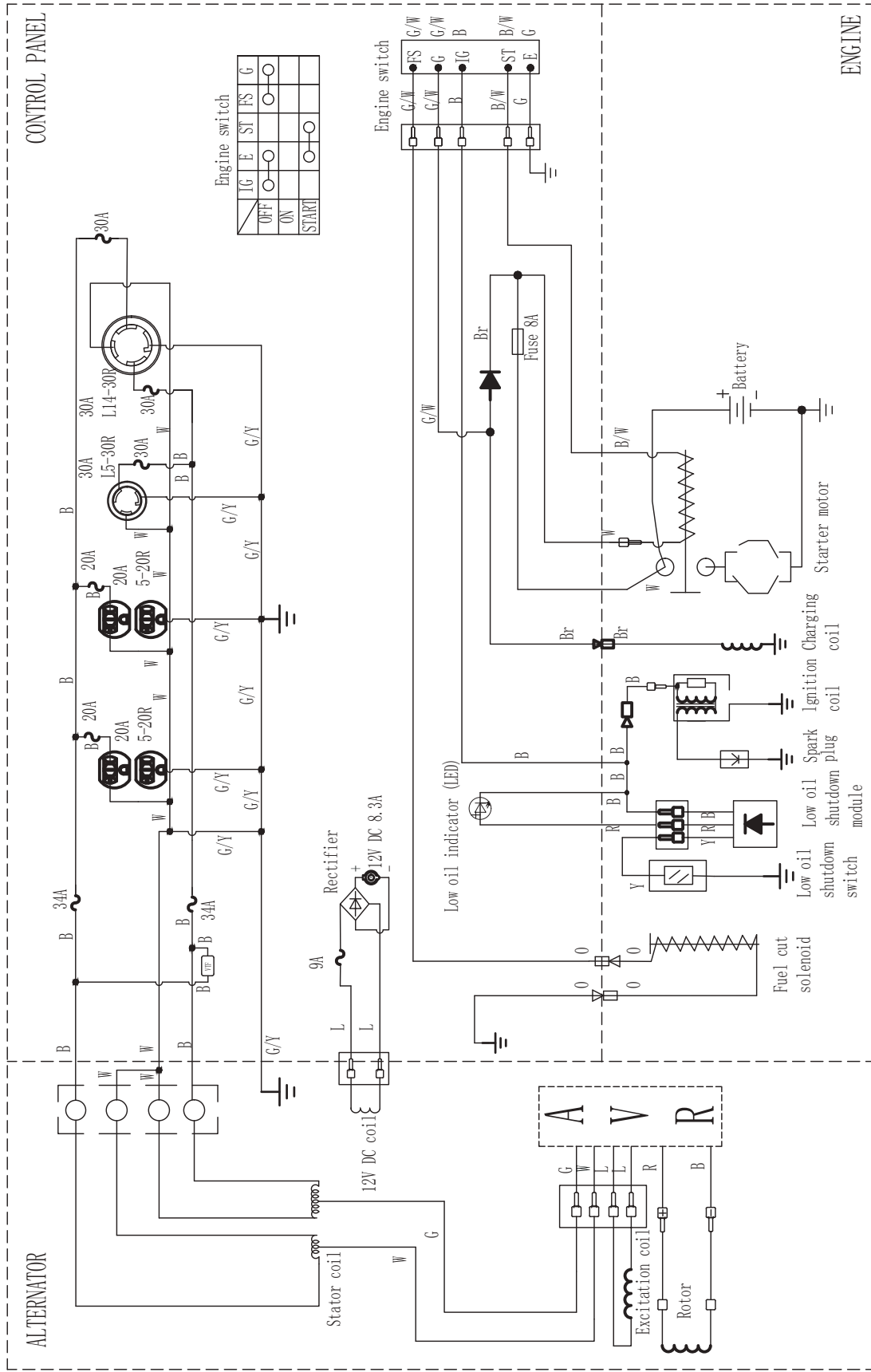
NO.	Part Number	Description	Qty.
1	30101-00326-00	Hexagon flange bolt M5*12	4
2	33082-00171-00	Alternator tail cover	1
3	20044-00104-00	Regulator	1
4	30101-00329-00	Hex flange bolt M5*16	5
5	30101-00113-00	Hexagon flange bolt M10*310	1
6	30136-00016-00	Flat Washers	1
7	33085-00058-00	Alternator bracket	1
8	30101-00090-00	Hexagon flange bolt M6*200	4
9	30100-00033-00	Hexagon head bolt M5*225	2
10	20029-10551-00	Rotor-stator assembly	1
10-1	/	Stator	1
10-2	/	Rotor	1
10-3	/	Terminal	1
10-4	/	Carbon brush	1
11	30136-00012-00	Flat Washers	2
12	30139-00005-00	Spring washer	2
13	30128-00008-00	Nylon nut M5	2
14	20260-02343-03	Engine assembly	1
15	33499-00016-00	Air filter bracket	1
16	30125-00019-00	Hexagon flange nut M6	6
17	34032-00017-00	bushing	1
18	30101-00387-00	Hexagon flange bolt M8*32	1
19	30101-00361-00	Hexagon flange bolt M8*25	1
20	20249-00082-00	Supporting parts	1
21	20202-00352-00	Muffler	1
22	33048-00093-00	Muffler gasket	2
23	30139-00036-00	Spring washer	2
24	30121-00007-00	Hex nut M8	2
25	33138-00009-00	Crankcase cover baffle	1
26	33138-00017-00	Dustproof rubber	1
27	20184-00007-00	Wire shield	1
28	30101-00339-00	Hex flange bolt M6*12	11
29	30101-00407-00	Hexagon flange bolt M6*25	6
30	30136-00074-00	Fuel tank gasket	4
31	20130-00451-00	Fuel tank assembly	1
32	34024-00002-00	Clamp	2
33	34023-00004-00	Fuel pipe	0.18
34	20133-00002-00	Fuel valve	1
35	20114-03797-00	Control panel assembly	1

NO.	Part Number	Description	Qty.
36	30125-00026-00	Hexagon flange nut M10	4
37	34030-00040-00	Vibration damping support	2
38	34030-00039-00	Vibration damping support A	1
39	34030-00044-00	Damping support B	1
40	30125-00023-00	Hexagon flange nut M8	6
41	20090-01329-00	Rack components	1
42	34030-00009-00	Single head bolt shock absorber	1
43	33301-00010-00	Plum-shaped spring cushion	1
44	20196-00122-00	Harness parts	1
45	31002-00013-00	Battery	1
46	20217-00038-00	Battery pressure plate	1
47	20196-00271-00	Harness parts	1
48	20196-00272-00	Harness parts	1
49	33126-00008-00	Plug	2
50	33580-00035-00	Handle fixing pin	2
51	20135-00283-02	Handle tube assembly	1
52	33015-00012-00	Handle rubber sleeve	1
53	30101-00355-00	Hexagon flange bolt M8*16	2
54	20014-00117-03	Bracket parts	1
55	34030-00079-00	Damping rubber pad	2
56	30101-00341-00	Hex flange bolt M6*16	4
57	33141-00027-00	Hubcaps	2
58	34031-00027-00	Axle pin	2
59	30136-00086-00	Flat Washers	2
60	34006-00020-00	Cotter pin	2
61	20134-00024-00	Wheel assembly	2
62	34023-00197-00	Snorkel	1
63	34023-00198-00	Snorkel	1
64	34038-00057-00	Carbon canister	1

# CIRCUIT DIAGRAM Model: AP10000E

Grounding system(AC): Neutral Bonded To Frame

Grounding system(DC): System Floating



B:BLACK	G:GREEN	L:BLUE	R:RED	Y:YELLOW	B/W:BLACK/WHITE	R/W:RED/WHITE
Br:BROWN	Gy:GRAY	O:ORANGE	W:WHITE	P:PINK	Y/G:YELLOW/GREEN	

# WARRANTY

## LIMITED WARRANTY

**KEEP YOUR RECEIPT.** Proof of purchase will be required to substantiate any warranty claim.

**WHAT IS COVERED:** A-iPower Corp. warrants to the original retail purchaser in the United States of America, or Canada that this product is free of defects in material and workmanship and agrees, at A-iPower Corp's direction, to either repair, provide replacement parts for, or replace (without charge for parts or labor) any product or component with a material defect for a period of 1 years from the date of purchase, except as limited below. Warranty service and replacement parts are warranted only for the duration of the warranty on the original product. All replaced parts or products become a property of A-iPower Corp.

This product is also covered by an Emissions Control System Warranty which is separate from and in addition to the warranty.

## WARRANTY

A-iPower Limited Warranty – 1 Years Residential and 1 Year Commercial

1 year Residential warranty applies as follow: 1st year Parts & Labor

Thank you for choosing A-iPower products. To ensure proper registration of your product warranty, please submit your warranty registration along with proof of purchase within 10 days of the date of purchase, this can be done by

a) Completing the Warranty Registration form at the back of this manual and mailing to:

A-IPOWER CORP  
10887 COMMERCE WAY UNIT A  
FONTANA CA 92337 USA

b) Visit us at [www.a-ipower.com](http://www.a-ipower.com) and click the product registration icon

## Warranty Term

A-iPower will provide warranty for any of its products purchased through any authorized AiPower dealer in North America to the original purchaser and will be warranted against defects in material or workmanship for a period of one (1) years for Consumer use from date of purchase, subject to exclusions noted herein. Commercial and Rental applications are warranted for a period of one (1) year from date of purchase.

“Consumer Use” - residential household use by a retail consumer

“Commercial Use” - all other use - commercial , business, industrial, or rental purpose

## How to Obtain Warranty Service

Please call our Customer Service Dept.  
1-855-888-3598

or e-mail to [support@a-ipower.com](mailto:support@a-ipower.com)

Please have necessary information available - Model Number, Serial Number, Proof of Purchase

## **DO NOT RETURN THE PRODUCT TO THE PLACE OF PURCHASE**

A-iPower Customer Service Dept will assist with all product related questions and will help troubleshoot issues and will send any replacement parts as necessary while product is within the warranty period at no charge. If the issue cannot be resolved then A-iPower Customer Service Dept at its discretion determine and authorize diagnosis and repair through one of its authorized Service Centers. A-iPower Corp at its discretion may choose to provide replace of part, component, or product. Service or replacement of parts at any unauthorized repair facility without prior authorization will not be covered by this warranty.

## Warranty Exclusions

This warranty does not cover the following:

Regular wear and maintenance - this warranty will not cover repair when normal use has exhausted the lifetime of a part(s) or engine.

Installation and Maintenance - this warranty does not cover improper or unauthorized assembly, alteration, modification or any other damage resulting from misuse or neglect.

Normal maintenance parts - this warranty does not cover spark plugs, air filters, adjustments, or other related service due to obstructions and other build ups resulting from improper maintenance.

Additional exclusions - this warranty does not cover wearable parts such as filers, spark plugs, o-rings, batteries etc. It does not cover any cosmetic defects such as scratches to paint, decals etc. It does not cover any damage resulting from use of non-original manufacturer's parts, use of aftermarket parts. It does not cover any failures due to acts of God and

other force majeure events beyond the control of the manufacturer.

### **Warranty limits and Implications and Consequential Damages**

A-iPower is not obligated to cover any loss of time, use of product, freight cost, or any other incidental or consequential claim from the use of this product. This warranty is in Lieu of all other warranties, express or implied.

This warranty gives you specific legal rights which vary from state to state.

### **MERCHANDISE RETURN GUIDELINES**

- All products must be returned in original or equivalent packaging. Improperly packaged returns will not be accepted.
- Must have adequate packing for transportation.
- Federal Law requires that all machines that utilize gasoline, oil, or other flammable liquids must be drained Completely & Thoroughly prior to shipment.
- Gas caps and oil plugs must be left off for 24 hours prior to shipping. Please note: liability for this violation of the law resides with the sender of the shipment.
- Return to address provided in return authorization, using the parcel service required. Units returned without authorization will not be honored.
- Please Note: Refunds will not be granted for items that have been modified or damaged by abuse or usage not in accordance with product instructions.



Fontana, CA 92337 USA  
Phone: 1-855-888-3598  
[support@a-ipower.com](mailto:support@a-ipower.com)  
[www.a-ipower.com](http://www.a-ipower.com)



# A-iPOWER WARRANTY REGISTRATION FORM

Register your product by emailing this form to support@a-ipower.com or register on-line at: www.a-ipower.com.

Registering your product is important , it provides the following protections:

1. You have record of product purchased
2. Customer Service can Better serve you for Warranty related issues
3. We can contact you in the unlikely event should notification is necessary

Customer Information:	Product Information:
Name: _____ Phone: _____ E-mail: _____ Address: _____ City, State: _____ Zip code: _____ Purchase Date: _____	Serial # _____  Model # _____  The serial No. can be found on the engine. PLEASE NOTE: Your product cannot be registered without model & serial numbers.

- 1.THE PRODUCT WAS PURCHASED FOR: A. Residential cleaning  
B.  Other \_\_\_\_\_
- 2.THIS PRODUCT IS A: (select one)  
A. First time purchase B.  Replacement
- 3.HOW DID YOU FIRST LEARN OF THIS PRODUCT: (select one)  
A.  Radio G.  Direct Mail  
B.  Store Display H.  From Friend/Relative/Neighbor  
C.  Contractor I.  Internet  
D.  Trade Show J.  Other \_\_\_\_\_

4. PLEASE RATE THE FOLLOWING:

	Completely Satisfied					Not at all Satisfied
	5	4	3	2	1	
Product Value for Price Paid	<input type="checkbox"/>	<input type="checkbox"/>	<input type="checkbox"/>	<input type="checkbox"/>	<input type="checkbox"/>	<input type="checkbox"/>
Performance	<input type="checkbox"/>	<input type="checkbox"/>	<input type="checkbox"/>	<input type="checkbox"/>	<input type="checkbox"/>	<input type="checkbox"/>
Features	<input type="checkbox"/>	<input type="checkbox"/>	<input type="checkbox"/>	<input type="checkbox"/>	<input type="checkbox"/>	<input type="checkbox"/>
Product Appearance	<input type="checkbox"/>	<input type="checkbox"/>	<input type="checkbox"/>	<input type="checkbox"/>	<input type="checkbox"/>	<input type="checkbox"/>
Warranty	<input type="checkbox"/>	<input type="checkbox"/>	<input type="checkbox"/>	<input type="checkbox"/>	<input type="checkbox"/>	<input type="checkbox"/>
Ease of Maintenance	<input type="checkbox"/>	<input type="checkbox"/>	<input type="checkbox"/>	<input type="checkbox"/>	<input type="checkbox"/>	<input type="checkbox"/>
Noise Level	<input type="checkbox"/>	<input type="checkbox"/>	<input type="checkbox"/>	<input type="checkbox"/>	<input type="checkbox"/>	<input type="checkbox"/>

5 . HOW LIKELY ARE YOU TO RECOMMEND A-iPOWER TO FAMILY OR FRIENDS?

	Extremely Likely			Not Likely at all	
	5	4	3	2	1
	<input type="checkbox"/>	<input type="checkbox"/>	<input type="checkbox"/>	<input type="checkbox"/>	<input type="checkbox"/>

Privacy Statement: A-ipower is committed to respecting your privacy and to complying with the regulations regarding the protection of personal data. The survey data we collect is for the purposes of marketing or product support and demographic information about the entire audience registering their products.

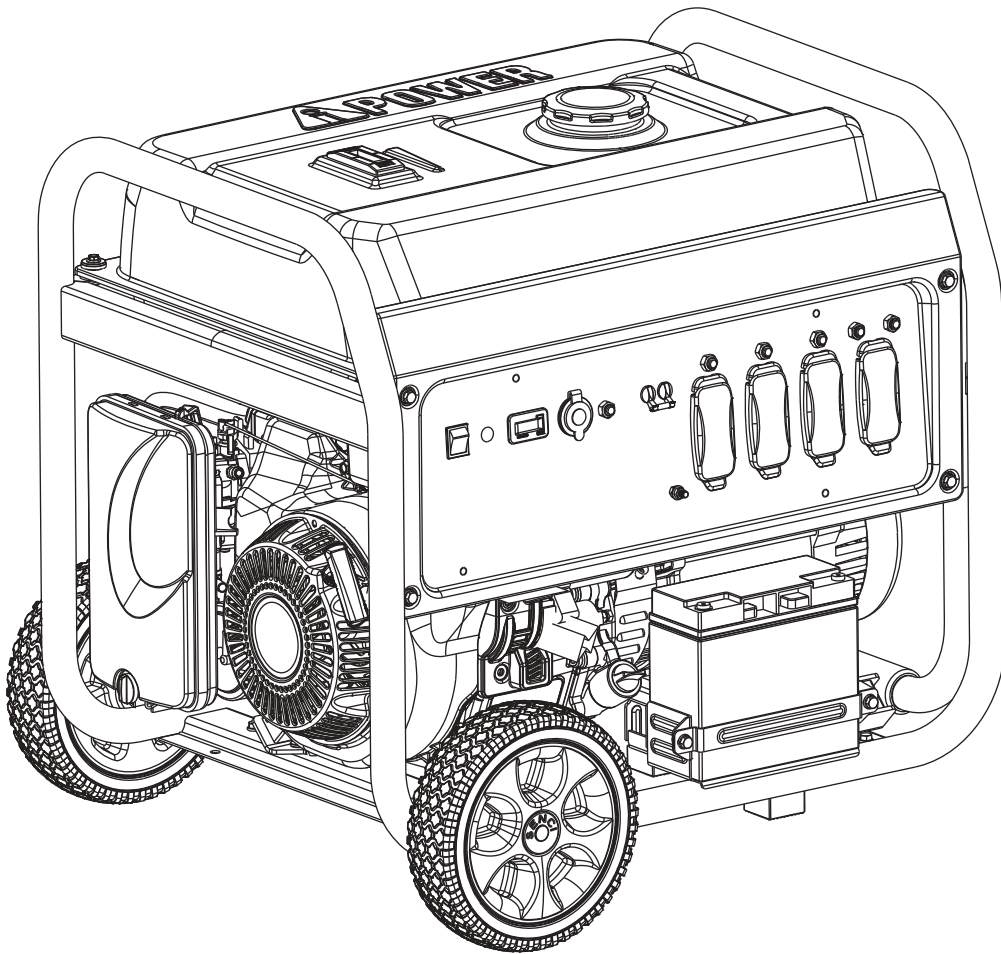


Fontana, CA 92337 USA  
Phone: 1-855-888-3598  
[support@a-ipower.com](mailto:support@a-ipower.com)  
[www.a-ipower.com](http://www.a-ipower.com)



# **POWER**<sup>TM</sup>

## **GENERADOR PORTÁTIL** **Manual del Propietario**



Modelo: \_\_\_\_\_

Número de Serie: \_\_\_\_\_

Fecha de Compra: \_\_\_\_\_

**AP10000E REV00**

**P/N: 32082-00000-00**

**GUARDE ESTE MANUAL PARA FUTURAS REFERENCIAS**

# Tabla de Contenido

<b>Introducción.....</b>	<b>1</b>	<b>Mantenimiento Y Almacenamiento.....</b>	<b>20</b>
<b>Seguridad.....</b>	<b>1</b>	Programa de Mantenimiento.....	20
<b>Precauciones Generales de Seguridad.....</b>	<b>2</b>	Mantenimiento del Motor.....	20
<b>Desembalaje del Generador.....</b>	<b>8</b>	Verificación del Nivel de Aceite del	
Piezas Incluidas.....	8	Motor.....	20
<b>Montaje.....</b>	<b>8</b>	Cambio de Aceite del Motor.....	21
Instalar el Kit de Ruedas.....	8	Mantenimiento de la Bujía.....	21
Instalar la Pata de Apoyo.....	9	Mantenimiento del Filtro de Aire.....	22
Conexión del Cable de Batería.....	9	Limpiar el Parachispas.....	22
<b>Controles Y Funciones.....</b>	<b>10</b>	Holgura de la Válvula.....	23
<b>Controles Y Funciones.....</b>	<b>11</b>	Mantenimiento del Generador.....	23
<b>Especificaciones.....</b>	<b>12</b>	Almacenamiento.....	24
Añadir Aceite del Motor.....	13	<b>Resolución de Problemas.....</b>	<b>25</b>
Apagado por Bajo Nivel de Aceite.....	13	<b>Diagrama de Piezas Y Lista de Piezas... </b>	<b>26</b>
Añadir Combustible.....	13	Diagrama de Piezas.....	26
Funcionamiento a Gran Altitud.....	14	Lista de Piezas.....	27
Puesta a Tierra.....	15	Diagrama de Circuitos.....	28
Conexión al Sistema Eléctrico de un		<b>Garantía.....</b>	<b>29</b>
Edificio.....	15		
<b>Operación.....</b>	<b>16</b>		
Ubicación del Generador.....	16		
Protección contra Sobrevoltaje.....	16		
Arrancar el Generador.....	16		
Conexión de Cargas Eléctricas.....	17		
Detener el Motor.....	18		
Apagado por Bajo Nivel de Aceite.....	18		
No Sobrecargue el Generador.....	19		

# INTRODUCCIÓN

## Lea Este Manual Completamente

### ADVERTENCIA



Lea y entienda el manual por completo antes de utilizar el producto. El no entender completamente el manual y el producto podría resultar en la muerte o graves lesiones.

Si no se entiende alguna sección de este manual, póngase en contacto con el Servicio al Cliente al 1-855-888-3598, o [www.a-ipower.com](http://www.a-ipower.com) para conocer los procedimientos de arranque, operación y revisión. El propietario es responsable del mantenimiento adecuado y uso seguro de la unidad. **GUARDE ESTAS INSTRUCCIONES** para futuras referencias. Este manual contiene instrucciones importantes que se deben seguir durante la colocación, la operación y el mantenimiento de la unidad y sus componentes. Siempre proporcione este manual a cualquier individuo que utilizará esta unidad.

La información contenida en este manual es precisa basándose en los productos fabricados en el momento de la publicación. El fabricante se reserva el derecho de realizar actualizaciones técnicas, correcciones y revisiones de productos en cualquier momento sin previo aviso.

### ADVERTENCIA

La operación, la revisión y el mantenimiento de este equipo pueden exponerle a productos químicos incluidos los gases de escape del motor, el monóxido de carbono, los ftalatos y el plomo que, conforme al estado de California, producen cáncer, defectos de nacimiento u otros daños reproductivos. Para minimizar la exposición, evite respirar gases de escape y use guantes o lávese las manos con frecuencia al revisar este equipo. Para más información, visite [www.P65warnings.ca.gov](http://www.P65warnings.ca.gov).

# SEGURIDAD

En este manual se emplean las palabras PELIGRO, ADVERTENCIA, PRECAUCIÓN y AVISO para resaltar información importante. Asegúrese de que el significado de esta información de seguridad se conozca por todos los que operan, efectúan mantenimientos en o se encuentran cerca del generador.



Este símbolo de alerta de seguridad aparece con la mayoría de las indicaciones de seguridad. Significa atención, ¡manténgase alerta, su seguridad está involucrada! Lea y obedezca el mensaje que sigue al símbolo de alerta de seguridad.

El fabricante no puede prever todas y cada una de las circunstancias posibles en las que se podría presentar un peligro. Por lo tanto, las advertencias en este manual y las etiquetas y calcomanías colocadas en la unidad no todas están incluidas. Si utiliza un procedimiento, un método de trabajo o una técnica operativa que no sea específicamente recomendado por el fabricante, debe asegurar que sea seguro para usted y para los demás. También tendrá que garantizar que el procedimiento, el método de trabajo o la técnica operativa que elija no haga inseguro el generador.

## DEFINICIONES Y SÍMBOLOS

### PELIGRO

indica un peligro que, si no se evita, resultará en la muerte o graves lesiones.

### ADVERTENCIA

Indica un peligro que, si no se evita, podría resultar en la muerte o graves lesiones.

### PRECAUCIÓN

Indicates a hazard which, if not avoided, could result in minor or moderate injury.

### AVISO

Indicates information considered important, but not hazard-related (e.g., messages relating to property damage).



Peligro de Asfixia



Peligro de Descarga Eléctrica



Peligro de Incendio



Peligro de Explosión



Superficie Caliente.  
No Tocar la Superficie.  
Peligro de Quemaduras



Peligro de Piezas Móviles



Contragolpe



Manual del Operador

## PRECAUCIONES GENERALES DE SEGURIDAD

### ⚠ PELIGRO

El uso de un generador en interiores PUEDE MATARLE EN POCOS MINUTOS. El escape contiene monóxido de carbono, un gas venenoso que no se puede ver ni oler.



NUNCA lo utilice en la casa o en áreas parcialmente cerradas como garajes.



Utilícelo sólo AL AIRE LIBRE y lejos de ventanas, puertas y rejillas de ventilación abiertas.

Evite otros peligros del generador. LEA EL MANUAL ANTES DEL USO.

### ⚠ ADVERTENCIA



El sistema de escape debe ser apropiadamente mantenido. No altere ni modifique el sistema de escape para hacer que resulte inseguro o que no cumpla con los códigos y / o normas locales. De no hacerlo, causará la muerte o graves lesiones.

- Opere este producto SOLAMENTE en ambientes externos, lejos de ventanas, puertas y ductos de ventilación, para reducir el riesgo de que se acumule gas monóxido de carbono y se pueda dirigir hacia ambientes ocupados. NO opere este producto dentro de hogares, garajes, sótanos, espacios de acceso, cobertizos u otros espacios parcialmente cerrados, incluso si usa ductos de ventilación o abre puertas y ventanas para ventillar. El gas de monóxido de carbono puede acumularse rápidamente en estos espacios y puede permanecer durante horas, incluso después de que este producto se haya apagado.
- **SIEMPRE** coloque este producto a favor del viento y haga que el escape del motor apunte lejos de los ambientes ocupados. Si empieza a tener náuseas, sentirse mareado o débil durante el uso del generador, apáguelo y salga INMEDIATAMENTE a tomar aire fresco. Consulte a su médico. Podría haber sufrido una intoxicación por monóxido de carbono.

### ⚠ PELIGRO

#### PELIGRO DE GAS VENENOSO



El escape del motor contiene monóxido de carbono, un gas venenoso que podría matarle en minutos. NO PUEDE olerlo, verlo ni saborearlo. Incluso si no puede percibir los gases de escape, todavía podría estar expuesto a monóxido de carbono.

### ⚠ PELIGRO



El sistema de escape debe ser apropiadamente mantenido. No altere ni modifique el sistema de escape para hacer que resulte inseguro o que no cumpla con los códigos y / o normas locales. De no hacerlo, causará la muerte o graves lesiones.

### ⚠ ADVERTENCIA

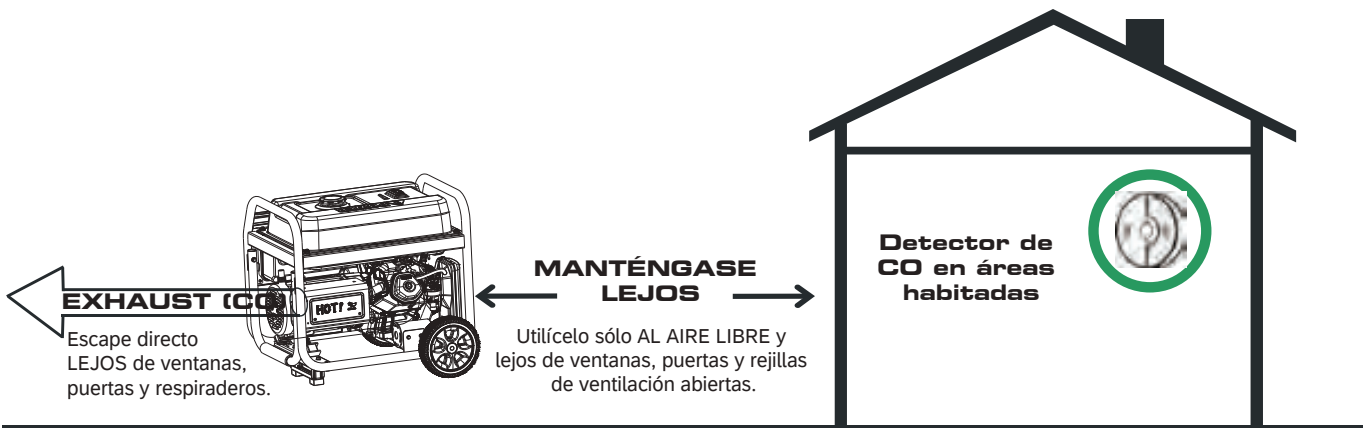
Si empieza a tener náuseas, sentirse mareado o débil mientras usa el generador portátil, es posible que haya

sufrido una intoxicación por monóxido de carbono. Desplácese inmediatamente a un lugar con aire fresco y llame al 911 para recibir atención médica de emergencia. Los altos niveles de CO pueden hacer que las víctimas pierdan el conocimiento rápidamente antes de que puedan rescatarse a sí mismas. NO intente apagar el generador antes de desplazarse a un lugar con aire fresco. Ingresar a un ambiente cerrado donde está o ha estado funcionando un generador eléctrico puede incrementar el riesgo de intoxicación por CO.

## USO CORRECTO

### Ejemplo de ubicación para reducir el riesgo de intoxicación por monóxido de carbono

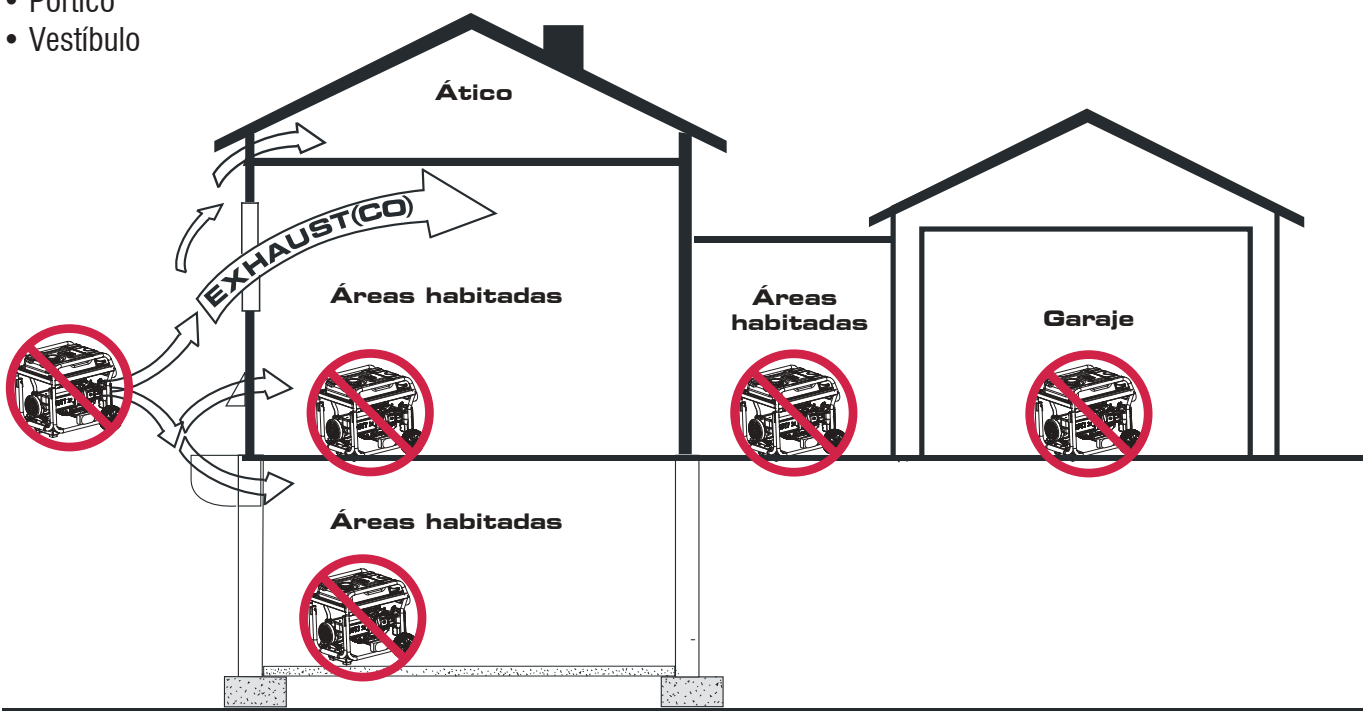
- Utilícelo sólo AL AIRE LIBRE y lejos de ventanas, puertas y rejillas de ventilación abiertas.
- Escape directo lejos de los espacios ocupados.



## USO INCORRECTO

### No opere el equipo en ninguna de las siguientes ubicaciones:

- Cerca de cualquier puerta, ventana o respiraderos.
- Garaje
- Sótano
- Entrepiso
- Áreas habitadas
- Ático
- Camino de entrada
- Pórtico
- Vestíbulo



## ADVERTENCIA



La cuerda retráctil para arranque (retracción rápida) empujará la mano y el brazo hacia el motor más rápido de lo que puede soltar, lo que podría provocar huesos rotos, fracturas, hematomas o esguinces, resultando en lesiones graves.

- Cuando arranque el motor, tire del cable lentamente hasta que se note cierta resistencia y luego jale rápidamente para evitar el retroceso.
- **NUNCA** arranque o detenga el motor del generador con los dispositivos eléctricos enchufados y encendidos.

## PELIGRO



El combustible y sus vapores son extremadamente inflamables y explosivos que pueden causar quemaduras, incendios o explosiones que pueden causar la muerte o lesiones muy graves y/o daños a la propiedad.

## PELIGRO



**NO** rellenar excesivamente el depósito. Deje espacio libre para la expansión del combustible. Si se derrama un poco de combustible espere primero hasta que se evapore antes de arrancar el motor. De no hacerlo, causará la muerte y graves lesiones.

### CUANDO AGREGUE O DRENE COMBUSTIBLE

- APAGUE el motor del generador y espere a que se enfríe por lo menos 2 minutos antes de retirar la tapa del depósito de combustible. Afloje la tapa lentamente para liberar la presión en el depósito de combustible.
- Llene o drene el depósito de combustible en un ambiente abierto.
- **NO** rellenar excesivamente el depósito. Deje espacio libre para la expansión del combustible.
- Si se derrama un poco de combustible espere primero hasta que se evapore antes de arrancar el motor.

- Mantenga el combustible lejos de chispas, llamas abiertas, indicadores luminosos, calor y otras fuentes de ignición.
- Revise con regularidad los conductos de combustible, el depósito, la tapa y los accesorios para detectar grietas o fugas. Reemplace si es necesario.
- **NO** encienda cigarrillos ni fume cerca del depósito.

### AL ARRANCAR EL EQUIPO

- Asegúrese de que la bujía, el silenciador, la tapa del depósito de combustible y el filtro de aire estén en su lugar.
- **NO** arranque el motor con el conector desmontado.

### AL OPERAR EL EQUIPO

- **NO** opere este generador dentro de ningún edificio, cochera, pórtico, equipo móvil, aplicaciones marinas o recinto.
- **NO** incline el motor o el equipo en un lugar en el que se pueda producir un derrame de combustible.
- **NO** pare el motor moviendo el control del cebador a la posición de "Inicio".

### AL TRANSPORTAR, MOVER O REPARAR EL EQUIPO

- Transportar/mover/reparar con el depósito de combustible VACÍO o con la válvula de cierre de combustible CERRADA.
- **NO** incline el motor o el equipo en un lugar en el que se pueda producir un derrame de combustible.
- Desconectar el conector de la bujía.

### AL ALMACENAR COMBUSTIBLE O EQUIPOS CON COMBUSTIBLE EN EL DEPÓSITO

- Almacene lejos de hornos, estufas, calentadores de agua, secadoras de ropa u otros equipos que tengan un indicador luminoso u otra fuente de ignición, ya que podrían provocar la ignición de los vapores de combustible.

## PELIGRO



El voltaje del generador puede causar una descarga eléctrica o quemaduras que pueden ser mortales o provocar lesiones graves.



## ⚠ PELIGRO



Nunca utilice el generador en lugares mojados o húmedos. Nunca exponga el generador a la lluvia, a la nieve o al chorro de agua rociada mientras lo utilice. Proteja el generador contra todas las condiciones meteorológicas peligrosas. La humedad o el hielo

puede ocasionar un cortocircuito u otro mal funcionamiento del circuito eléctrico. El contacto del agua con una fuente de energía, si no se evita, resultará en la muerte o graves lesiones.

## ⚠ PELIGRO



El contacto con terminales, cables descubiertos y conexiones eléctricas durante el funcionamiento del generador causará la muerte o graves lesiones.

## ⚠ PELIGRO



Peligro de incendio y electrocución. No lo conecte al sistema eléctrico de un edificio a menos que el generador y el interruptor de transferencia estén instalados adecuadamente y que la salida eléctrica haya sido verificada por un electricista calificado. La conexión debe aislar la energía del generador de la energía de servicios públicos y cumplir con todas las leyes y códigos eléctricos aplicables.

- Utilice un interruptor de circuito por falla a tierra (GFCI) en cualquier área húmeda o altamente conductora, tales como una cubierta metálica o un trabajo de acero.
- **NO** utilice el generador con cables eléctricos que se encuentran desgastados, deshilachados, descubiertos o dañados de cualquier manera.
- **NO** permita que personas no calificadas o niños operen o revisen el generador.

## ⚠ ADVERTENCIA



El calor / gases de escape podría(n) encender combustibles, estructuras o dañar el tanque de combustible, ocasionando un incendio y resultando en la muerte o graves lesiones. El contacto con el área del silenciador podría causar quemaduras o lesiones graves.

## ⚠ ADVERTENCIA



No toque las superficies calientes al operar la máquina. Durante el uso, mantenga la máquina alejada de combustibles. Las superficies calientes podrían causar graves quemaduras o incendios.

- Deje que el equipo se enfríe antes de tocarlo.
- Las piezas de repuesto del generador deben ser idénticas e instaladas en la misma posición que las piezas originales.
- Es una violación del Código de Recursos Públicos de California, Sección 4442, el usar u operar el motor en cualquier terreno cubierto de vegetación, cubierto de arbustos o cubierto de hierba, a menos que el sistema de escape esté equipado con un supresor de chispas, como se indica en la Sección 4442, mantenido en funcionamiento efectivo. Otros estados o jurisdicciones federales pueden tener leyes similares. Contacte al fabricante, revendedor o distribuidor del equipo original para obtener un supresor de chispas diseñado para el sistema de escape instalado en este motor.

## ⚠ ADVERTENCIA



Las chispas no intencionadas podrían provocar un incendio o una descarga eléctrica que podría resultar en algún accidente fatal o lesiones graves.

## AL AJUSTAR O HACER REPARACIONES A SU GENERADOR

- Desconecte el cable del conector de la bujía del conector de la bujía y coloque el cable en un área donde no pueda entrar en contacto con la bujía.

### AL PROBAR EL ENCENDIDO DE MOTOR

- Utilice un probador de conector de encendido aprobado.
- **NO** verifique el encendido con el conector de la bujía removida.

### ⚠ ADVERTENCIA



El arrancador y otras piezas giratorias podrían atrapar enredar las manos, el cabello, la ropa o los accesorios y provocar lesiones muy graves.

- **NO** use ropa suelta, joyas o cualquier cosa que pueda quedar atrapada en el arrancador o en otras partes giratorias.

### ⚠ ADVERTENCIA

Las velocidades de operación demasiado altas pueden provocar lesiones leves. Las velocidades de operación demasiado bajas imponen una carga pesada.

- **NO** manipule el resorte del regulador, enlaces u otras piezas para incrementar la velocidad del motor. El generador suministra la frecuencia y el voltaje nominal correctos cuando funciona a la velocidad regulada.
- **NO** modifique el generador por ninguna razón.

### ⚠ AVISO

Si excede la capacidad de vatiaje/amperaje del generador, podría dañar el generador y/o los dispositivos eléctricos conectados al mismo.

- **NO** exceda la capacidad de vatiaje y de amperaje del generador.
- Arranque el generador y deje que el motor se estabilice antes de conectar las cargas eléctricas.
- Conecte las cargas eléctricas en la posición de apagado, luego enciéndalas para su funcionamiento.
- **APAGUE** las cargas eléctricas y desconéctelas desde el generador antes de apagar el generador.

### ⚠ AVISO

El uso inadecuado del generador podría dañarlo y reducir su vida útil.

- Utilice el generador solo para los usos previstos.
- Si tiene preguntas sobre el uso adecuado, consulte al vendedor o comuníquese con un centro de servicio local.
- Opere el generador solo en superficies que estén niveladas.
- **NO** exponga el generador a condiciones de humedad extrema, polvo, suciedad o vapores corrosivos.
- **NO** inserte ningún objeto a través de ranuras de refrigeración.
- Si los dispositivos conectados al generador se sobrecalientan, apáguelos y desconéctelos de inmediato.
- Apague el generador si:
  - Se pierde la salida eléctrica.
  - El equipo chispea, emite humos, o llamas.
  - El generador vibra excesivamente.

### ⚠ ADVERTENCIA

#### Usos médicos y de soporte vital.

- En caso de emergencia, comuníquese con el 911 inmediatamente.
- **NUNCA** use este equipo para alimentar dispositivos de soporte vital o equipos de soporte vital.
- **NUNCA** use este producto para suministrar energía a dispositivos médicos o equipos médicos.
- Informe a su proveedor de energía eléctrica inmediatamente si usted o alguien en su hogar depende de dispositivos eléctricos para vivir.
- Informe a su proveedor de energía eléctrica de inmediato si un corte en el suministro de energía causaría que usted o alguien en su hogar tenga una emergencia médica.

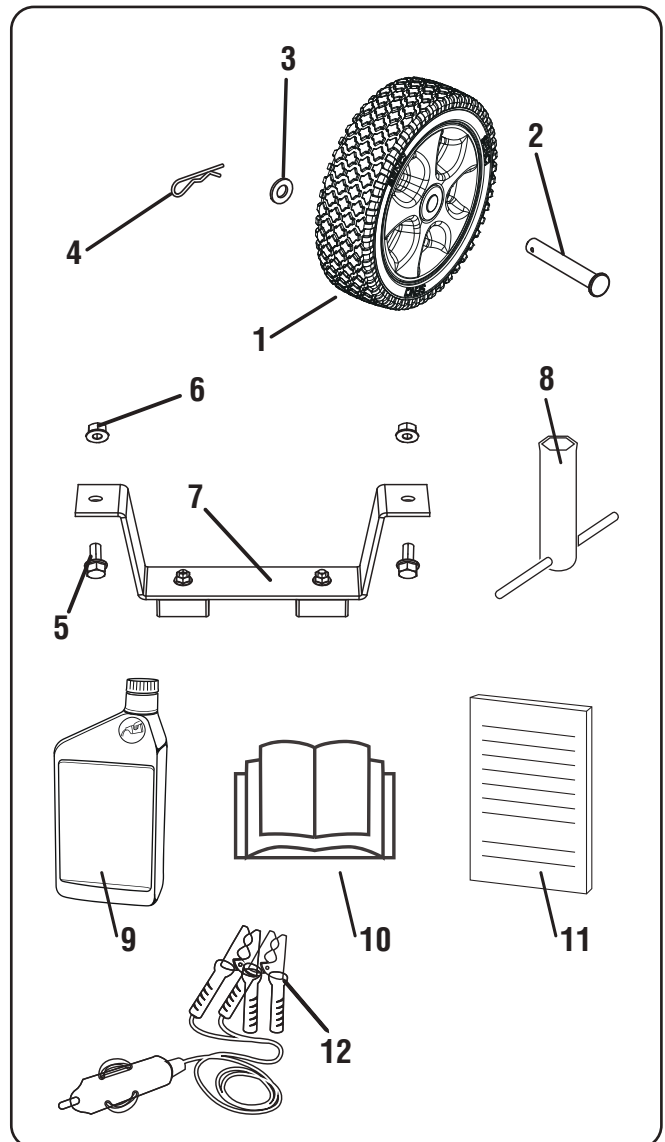
# DESEMBALAJE DEL GENERADOR

- Abra la caja por completo. Retire y verifique el contenido de la caja previo al montaje. Su generador se envía con los artículos abajo.
- Llame a nuestro servicio al cliente al 1-855-888-3598 con el modelo y el número de serie de la unidad para cualquier artículo faltante.
- Anote el modelo, el número de serie y la fecha de compra en la portada de este manual para su propio registro.

## Piezas Incluidas

Su generador alimentado a gasolina se envía con las siguientes piezas:

NO.	Descripción del Artículo	Cant.
1	Ruedas (9.0" Antipinchazos)	2
2	Pasador del Eje	2
3	Arandela Plana	2
4	Clavija	2
5	Perno de Brida M8x16	2
6	Tuerca de Bloqueo con Reborde M8	2
7	Pata de Apoyo con Soportes Antivibración	1
8	Llave de Bujías	1
9	Botella de Aceite (1.0L)	1
10	Manual del Propietario	1
11	Guía de Inicio Rápido	1
12	Cable de Carga de Batería de 12V DC	1



# MONTAJE

Su generador requiere algún tipo de montaje antes de ser utilizado.

## ⚠ PRECAUCIÓN

Para montar el generador, se necesitará levantar la unidad. Siempre reciba ayuda al levantar el generador.

## ⚠ ADVERTENCIA

No enchufe ni encienda el generador hasta que esté totalmente montado según las instrucciones. El no entender completamente el manual y el producto podría resultar en la muerte o graves lesiones.

Llame a nuestro servicio al cliente al 1-855-888-3598 para cualquier cuestión o preocupación de montaje. Tenga a mano el modelo y el número de serie.

## Instalar el Kit de Ruedas

### NOTA:

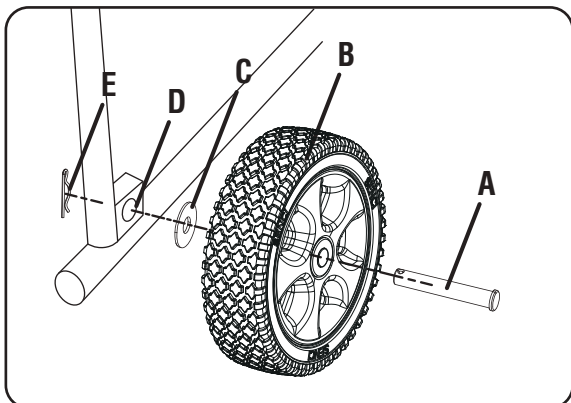
Las ruedas no están destinadas para su uso por carretera.

- 1-Coloque el generador sobre una superficie plana.
- 2-Incline el generador sobre un pedazo de cartón u otro material suave para proteger la pintura del bastidor y prevenir el deslizamiento del generador.

# MONTAJE

3 - Deslice el pasador del eje (A) a través de la rueda (B), la arandela plana (C) y el orificio del eje del bastidor del generador (D).

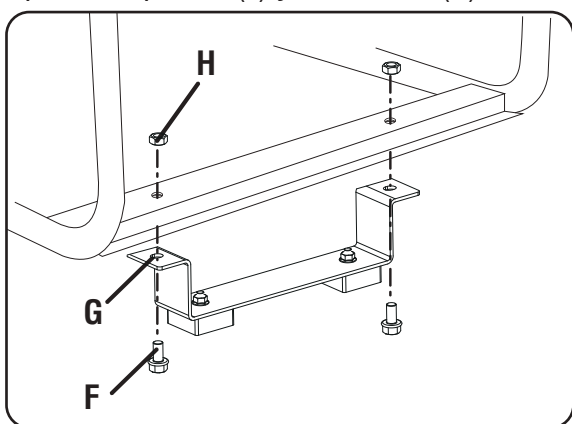
4 - Fije todos con la clavija (E). Repita la operación en el lado opuesto.



## Instalar la Pata de Apoyo

5 - Inserte los pernos (F) a través de la pata de apoyo (G) y los orificios en el bastidor del generador como se muestra.

6 - Apriete los pernos (F) y las tuercas (H) al bastidor.



### NOTA:

El mango ya ha sido montado en la unidad.

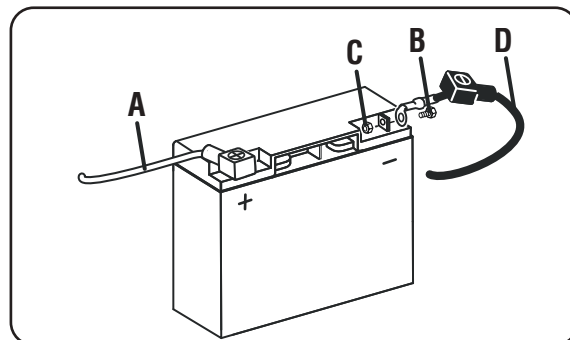
## Conexión del Cable de Batería

NOTA: El generador se suministra con el cable positivo (+) de la batería (A) con carcasa roja ya conectado.

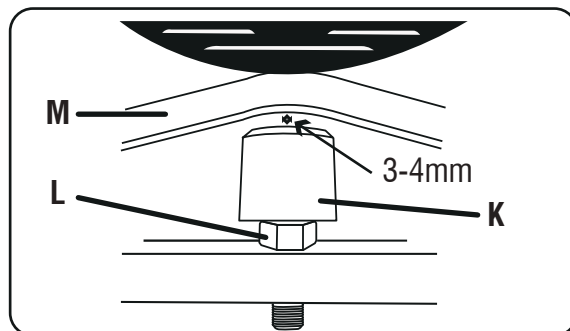
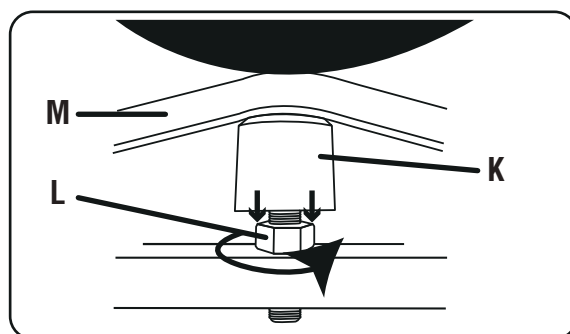
1. Verifique que el cable positivo (+) de la batería (A) con carcasa roja está fuertemente apretado al borne positivo (+) de la batería. Asegure que la carcasa esté sobre el borne de la batería.

2. Retire el perno (B) (M6x12) y la tuerca (C) desde el borne negativo (-) de la batería.

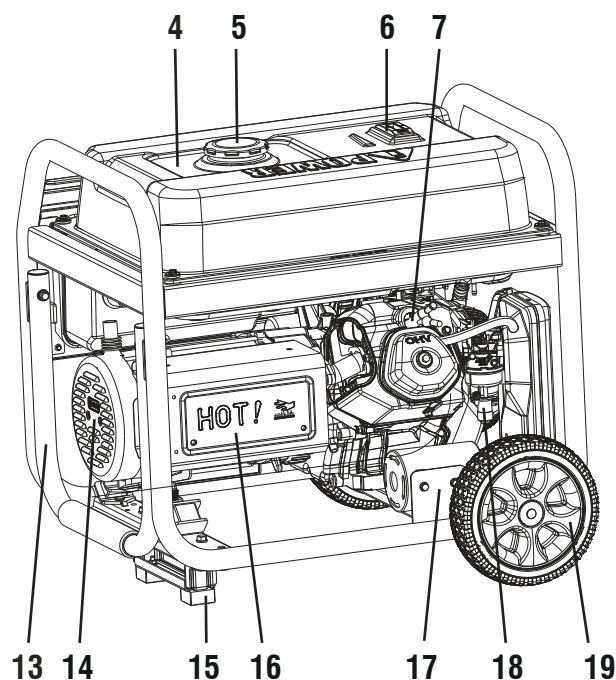
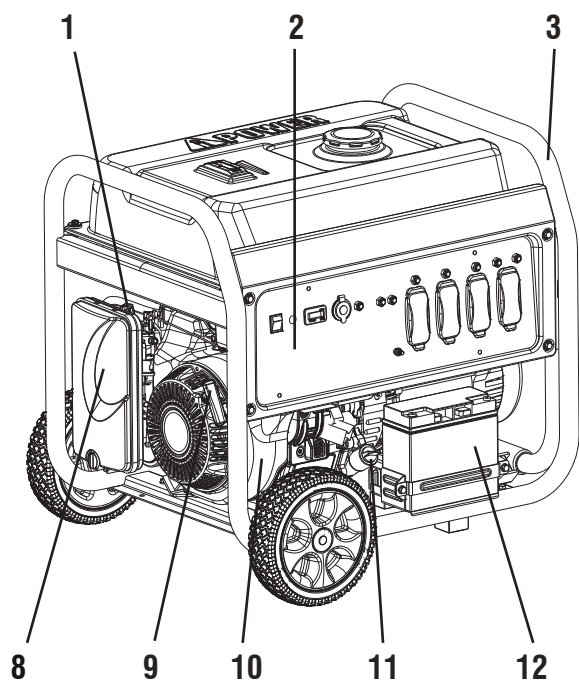
3. Localice el cable negativo (-) de la batería (D) con carcasa negra y conéctelo al borne negativo (-) de la batería. Apriete el cable con el perno (B) y la tuerca (C). Cubra el borne con carcasa negra.



**IMPORTANTE:** Antes de operar el generador, se debe ajustar el asiento amortiguador (K) para haber espacio libre. Afloje la tuerca de bloqueo (L) y ajuste el asiento amortiguador (K) para que haya un espacio de aprox. 3-4 mm entre la parte superior del asiento y la parte inferior del soporte del alternador (M). Finalizado el ajuste, vuelva a apretar la tuerca de bloqueo.



# CONTROLES Y FUNCIONES



**1 - Palanca del Cebador**

**2 - Panel de Control**

**3 - Bastidor**

**4 - Tanque de Combustible**

**5 - Indicador de Combustible**

**6 - Indicador de Combustible**

**7 - Bujía**

**8 - Filtro de Aire**

**9 - Arrancador de Retroceso**

**10 - Motor**

**11 - Tapa de Llenado de Aceite / Varilla**

**12 - Batería**

**13 - Manija**

**14 - Cubierta del Alternador**

**15 - Pata de Apoyo**

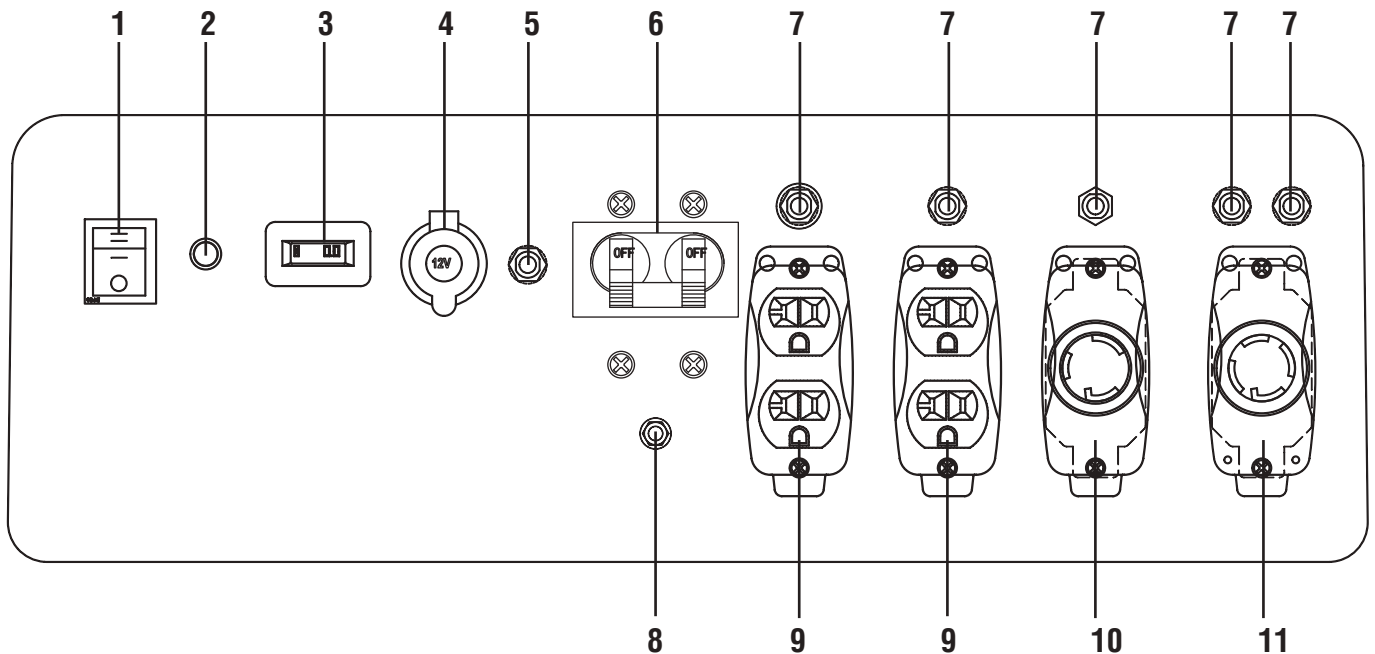
**16 - Silenciador / Parachispas**

**17 - Recipiente de carbono**

**18 - Carburador**

**19 - Rueda**

# CONTROLES Y FUNCIONES



- 1. Interruptor de Control del Motor:** Para arrancar el motor manualmente, gire el interruptor a la posición ON (I) y tire del arrancador de retroceso. Para arrancar el motor mediante arranque eléctrico, mantenga pulsado el interruptor en la posición START (II) y el motor girará e intentará arrancar. Cuando el motor arranca, suelte el interruptor a la posición ON (I) .
- 2. Indicador de Bajo Nivel de Aceite:** La Luz se iluminará cuando el nivel de aceite del motor es bajo. Añada aceite.
- 3. Contador de Horas:** Muestra y registra cuántas horas ha funcionado su generador (hasta 9,999.9).
- 4. Tomacorriente de 12V DC (Automotriz):** Suministra una alimentación DC de 12 voltios hasta 8.3 amperios.
- 5. Disyuntor (CC):** protege el generador contra sobrecargas eléctricas.
- 6. Disyuntor Principal:** El disyuntor principal controla la salida total de todos los tomacorrientes para proteger el generador contra sobrecargas o cortocircuitos.
- 7. Disyuntor (CA):** protege el generador contra sobrecargas eléctricas.
- 8. Terminal de Tierra:** El terminal de tierra sirve para conectar el generador a tierra.
- 9. Tomacorrientes de Dúplex de 120V AC, 20A, Monofásicos, 60 Hz (NEMA 5-20R):** Cada tomacorriente puede transportar un máximo de 20 amperios en un solo tomacorriente o en una combinación de ambos.
- 10. 120V CA, 30A Twist Lock, monofásico, tomacorriente de 60 Hz (NEMA L5-30R):** Este tomacorriente puede suministrar una salida de 120 voltios hasta 30 amperios.
- 11. 120 / 240V AC, 30A Twist Lock, Monofásico, Salida de 60 Hz (NEMA L14-30R):** Esta salida puede suministrar una salida de 120 voltios o 240 voltios hasta 30 amperios.

**NOTA:** La energía total suministrada por todos los tomacorrientes no debe exceder la capacidad nominal que figura en la placa de identificación.



# ESPECIFICACIONES

## Especificaciones del Generador

<b>Model</b>	AP10000E (10001-03269-00)
<b>Vataje de Arranque</b>	10000W
<b>Vataje de Funcionamiento</b>	8000W
<b>Voltaje Nominal AC</b>	120/240V
<b>Voltaje Nominal DC</b>	12V
<b>Frecuencia Nominal</b>	60HZ
<b>Fase</b>	Monofásico
<b>Sistema de Puesta a Tierra (AC)</b>	Neutro Unido al Bastidor
<b>Tipo de Motor</b>	Monocilíndrico, OHV de 4 Tiempos Refrigerado por Aire
<b>Desplazamiento del Motor</b>	420cc
<b>Sistema de Arranque</b>	Retroceso / Eléctrico
<b>Apagado por Bajo Nivel de Aceite</b>	Sí
<b>Tipo de Aceite</b>	10W-30
<b>Capacidad de aceite</b>	33.8 fl.oz (1.0L)
<b>Tipo OEM de Bujía</b>	F7RTC
<b>Tipo de Recambio de Bujía</b>	NGK BPR7ES o Champion RN9YC
<b>Separación de la Bujía</b>	0.028~0.031inch (0.7~0.8mm)
<b>Holgura de Admisión de la Válvula</b>	0.004~0.006inch (0.1~0.15mm)
<b>Holgura de Escape de la Válvula</b>	0.006~0.008inch (0.15~0.2mm)
<b>Sistema Regulador de Voltaje</b>	AVR
<b>Sistema de Excitación del Alternador</b>	Cepillado
<b>Distorsión Armónica Total (THD)</b>	Estándar
<b>Capacidad del Tanque de Combustible</b>	10.5 Gal (40L)
<b>Tipo de Combustible</b>	Gasolina
<b>Temperatura Ambiente Máxima</b>	104°F (40°C)
<b>Especificaciones de la Batería</b>	12V, 12Ah
<b>Certificaciones</b>	Conforme a EPA-CARB

### AVISO

Este producto está diseñado y clasificado para su funcionamiento continuo a temperatura ambiente de hasta 104°F (40°C). En caso necesario, puede funcionar a una temperatura que va de 5°F(15°C) a 122°F (50°C) por breves períodos. Si el producto está expuesto a temperaturas fuera del rango mencionado durante el almacenamiento, se debe reajustar a dicho rango antes de su puesta en funcionamiento. Este producto siempre debe funcionar al aire libre en un área bien ventilada y lejos de puertas, ventanas y otras rejillas de ventilación. El vataje y la corriente máximos están sujetos a factores como el contenido de BTU de combustible, la temperatura ambiente, la altitud, las condiciones del motor, etc. y se ven limitados por ellos. La potencia máxima disminuye aprox. un 3.5% por cada 1,000 pies sobre el nivel del mar, y también descenderá aprox. un 1% para cada 10°F (6°C) por encima de 60°F (16°C) de temperatura ambiente.



## Añadir Aceite del Motor

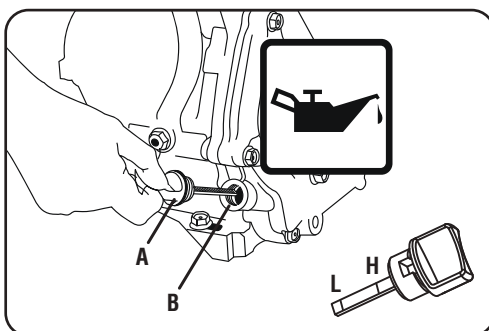
Recomendamos adoptar el aceite SAE 10W-30 APISJ para lograr un mejor rendimiento. Otros aceites detergentes de alta calidad (APISJ o superior) son aceptables. No utilice aditivos especiales. La viscosidad adecuada del aceite para el motor depende de la temperatura ambiente. Utilice la tabla para seleccionar el aceite adecuado para el rango de temperatura exterior esperado.

### ⚠ AVISO

No trate de girar ni arrancar el motor antes de que se haya rellenado apropiadamente con el tipo y la cantidad de aceite recomendados. Los daños causados por funcionamiento sin aceite anularán su garantía.

Tipo de Aceite del Motor Recomendado	
	10W-30
	5W-30
	10W-40
	5W-30 Totalmente Sintético
°F	-20 0 20 40 60 80 100 120
°C	-28.9 -17.8 -6.7 4.4 15.6 26.7 37.8 48.9
Temperatura Ambiente	

1. Coloque el generador sobre una superficie plana y nivelada.
2. Limpie el área alrededor del llenado de aceite y quite la tapa de llenado de aceite / varilla amarilla (A).
3. Limpie la varilla.
4. A través de un embudo de aceite, vierta lentamente el contenido de la botella de aceite provista en el cuello de llenado de aceite (B) hasta la marca "H" de la varilla. Tenga cuidado de no llenarlo en exceso. Un llenado excesivo de aceite podría hacer que el motor no arranque o que sea difícil de arrancar.
5. Recolecte la tapa de llenado de aceite / varilla (A) y apriétela por completo.
6. El nivel de aceite debe someterse a una verificación previa a cada uso o al menos cada 8 horas de funcionamiento. Mantenga el nivel de aceite.



El motor está equipado con un apagado por bajo nivel de aceite y se detendrá cuando el nivel de aceite en el cárter cae por debajo del umbral.

### ⚠ AVISO

Consideramos las primeras 5 horas de funcionamiento como período de rodaje de la unidad. Durante el período de rodaje, permanezca en o por debajo del 50% de la potencia nominal de funcionamiento y varíe la carga ocasionalmente para permitir que se calienten y se refrigeren los bobinados del estator. El ajuste de la carga también hará que la velocidad del motor varíe y ayudará a asentar los anillos del pistón.

### Apagado por Bajo Nivel de Aceite

La unidad dispone de un apagado por bajo nivel de aceite. Si el nivel de aceite se reduce por debajo de lo requerido, el sensor activará un dispositivo de advertencia o detendrá el motor. Si el generador se apaga y el nivel de aceite está dentro de las especificaciones, verifique si el generador se encuentra en un ángulo que obligue al aceite a cambiar. Colóquelo sobre una superficie plana para realizar esta corrección. Si el motor no se pone en marcha, el nivel de aceite puede ser insuficiente para desactivar el interruptor de bajo nivel de aceite. Asegúrese de que el cárter esté totalmente lleno de aceite.

### Añadir Combustible

### ⚠ PELIGRO



El combustible y sus vapores son muy inflamables y explosivos. Añada combustible en un área bien ventilada. Mantenga alejadas las chispas, llamas abiertas y otras fuentes de ignición. De no hacerlo, causará la muerte y graves lesiones.

### ⚠ PELIGRO



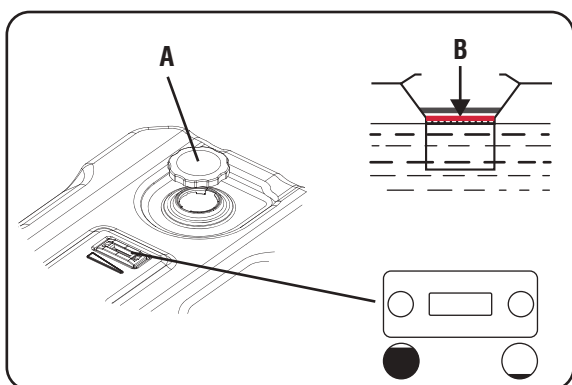
**NO** rellenar excesivamente el depósito. Deje espacio libre para la expansión del combustible. Si se derrama un poco de combustible espere primero hasta que se

evapore antes de arrancar el motor. De no hacerlo, causará la muerte y graves lesiones. El combustible debe alcanzar los requisitos a continuación:

- La gasolina deberá ser limpia, fresca y sin plomo.
- Adopte la gasolina regular SIN PLOMO con el motor del generador con un octanaje mínimo de 87 / 87 AKI (91 RON). No utilice E85 ni E15. Para el uso a gran altitud, consulte "Funcionamiento a Gran Altitud".
- **NO** mezcle el aceite con gasolina.
- **NO** modifique el motor para que funcione con combustibles alternativos.

#### AL AÑADIR COMBUSTIBLE

- Llene el tanque de combustible al aire libre.
- **NO** rellenar excesivamente el depósito. Deje espacio libre para la expansión del combustible. Si el tanque está sobrellenado, el combustible puede desbordarse sobre un motor caliente, causando así un incendio o una explosión.
- Si se derrama un poco de combustible, espere primero hasta que se evapore antes de arrancar el motor.
- Mantenga el combustible lejos de chispas, llamas abiertas, indicadores luminosos, calor y otras fuentes de ignición.
- Verifique frecuentemente las líneas de combustible, el tanque, la tapa y los accesorios para detectar grietas y fugas. Reemplace si es necesario.
- **NO** encienda un cigarrillo ni fume al llenar el tanque de combustible.



1. Quite lentamente la tapa de combustible (A).
2. Poco a poco añada combustible sin plomo al tanque de combustible. Tenga cuidado de no llenar por encima del indicador de nivel de combustible rojo (B). Esto permite un espacio adecuado para que el combustible se expanda.

3. Instale la tapa de combustible y deje evaporar el combustible derramado antes de arrancar el motor.

#### **⚠ AVISO**

En el momento del almacenamiento, es importante prevenir la formación de depósitos de goma en las partes del sistema de combustible como el carburador, la manguera de combustible o el tanque. El combustible mezclado con alcohol (denominado gasohol, etanol o metanol) puede absorber la humedad, resultando así en la separación y la formación de ácidos durante el almacenamiento. Los gases ácidos pueden causar daños al sistema de combustible de un motor mientras que está almacenado. Para evitar problemas con el motor, el sistema de combustible se debe vaciar antes de su almacenamiento de 30 días o más. Consulte la sección "Almacenamiento a Largo Plazo". Nunca utilice productos limpiadores de motor o de carburador en el tanque de combustible, ya que se pueden producir daños permanentes.

#### **Funcionamiento a Gran Altitud**

En altitudes de más de 5,000 pies (1524 metros), es aceptable el octanaje mínimo de gasolina de 85. La potencia del motor y la salida del generador descenderán aprox. un 3.5% por cada 1000 pies (305 metros) de elevación sobre el nivel del mar. La gran altitud puede hacer difícil arrancar, aumentar el consumo de combustible y ensuciar la bujía. Para funcionar en altitudes elevadas, A-iPower puede proporcionar un surtidor principal de carburador a gran altitud. Se pueden obtener el surtidor principal alternativo y las instrucciones de instalación contactando a la Atención al Cliente.

#### **⚠ AVISO**

El funcionamiento con un surtidor principal alternativo en elevaciones más bajas que la altitud mínima recomendada puede dañar el motor. Para funcionar en elevaciones menores, se debe aplicar el surtidor principal estándar suministrado. Si hace funcionar el motor con el surtidor principal incorrecto, puede aumentar las emisiones de escape, el consumo de combustible y reducir el rendimiento.

## Puesta a Tierra

### ADVERTENCIA



Peligro de descarga. Una conexión a tierra inadecuada del generador puede resultar en descargas eléctricas.

En función de la electricidad nacional, su generador debe estar conectado apropiadamente a una tierra adecuada para ayudar a evitar descargas eléctricas. El generador cuenta con un sistema de tierra que conecta los componentes del bastidor del generador a los terminales de tierra en los receptáculos de salida AC. Puede haber normativas federales o del estado, códigos locales u ordenanzas que se apliquen al uso previsto del generador. Consulte a un electricista calificado, inspector eléctrico o la agencia local con jurisdicción. Este generador no está destinado para su uso en un sitio de construcción u otras actividades similares que define la sección 590.6 de NFPA 70-2020 (NEC).

### **Conexión al Sistema Eléctrico de un Edificio**

Las conexiones al sistema eléctrico de su casa deben adoptar un interruptor de transferencia enumerado que se instala por un electricista con licencia. La conexión debe aislar la energía del generador de la energía de servicios públicos y cumplir con todas las leyes y códigos eléctricos aplicables.

# OPERACIÓN




## Ubicación del Generador

### ⚠️ ADVERTENCIA

Asegúrese de revisar cada una de las advertencias para prevenir el peligro de incendio.

**⚠️ PELIGRO**

El uso de un generador en interiores PUEDE MATARLE EN POCOS MINUTOS. El escape del generador contiene monóxido de carbono. Esto es un veneno que no puede ver ni oler.

		
---	---	---

NUNCA lo utilice dentro de una casa o garaje INCLUSO SI las puertas y ventanas están abiertas.

Utilícelo sólo AL AIRE LIBRE y lejos de ventanas, puertas y rejillas de ventilación abiertas.

**Evite otros peligros del generador. LEA EL MANUAL ANTES DEL USO.**

### ⚠️ PELIGRO



Nunca utilice el generador en lugares mojados o húmedos. Nunca exponga el generador a la lluvia, a la nieve, al chorro de agua rociada o al agua estancada mientras lo utilice. Proteja el generador contra todas las condiciones meteorológicas peligrosas. La humedad o el hielo puede ocasionar un cortocircuito u otro mal funcionamiento del circuito eléctrico. El contacto del agua con una fuente de energía, si no se evita, resultará en la muerte o graves lesiones.

- Mantenga el área libre de inflamables u otros materiales peligrosos.
- Seleccione un sitio seco, bien ventilado y protegido contra la intemperie.
- Mantenga el tubo de escape despejado de objetos extraños.
- Mantenga el generador lejos de llamas abiertas.
- Mantenga el generador sobre una superficie estable y nivelada.
- No bloquee las rejillas de ventilación del generador con papel u otros materiales.

### Protección contra Sobrevoltaje

Los dispositivos electrónicos, incluidas las computadoras y muchos aparatos programables, emplean componentes diseñados para funcionar dentro de un rango de voltaje estrecho y pueden

voltaje. Si bien no existe manera de evitar fluctuaciones de voltaje, puede adoptar medidas para proteger los equipos electrónicos sensibles. Instale supresores de sobrevoltaje enchufados listados por UL1449, CSA en los tomacorrientes que alimentan sus equipos sensibles.

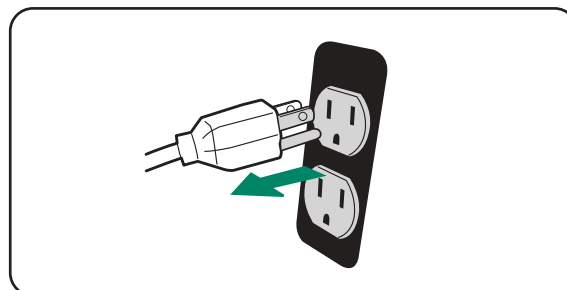
Los supresores de sobrevoltaje se suministran en estilos de uno o varios tomacorrientes. Están diseñados para proteger prácticamente contra todas las fluctuaciones de voltaje de corta duración.

### Arrancar el Generador

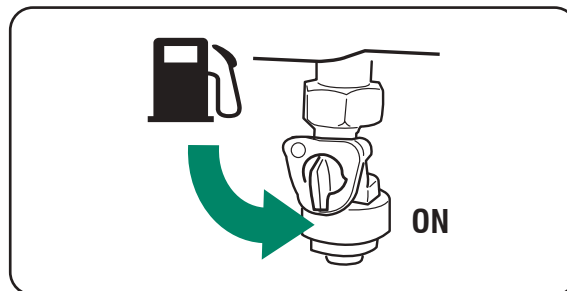
1. Antes de poner en marcha el generador, verifique si hay piezas sueltas o faltantes y daños que se puedan haber producido durante el envío.
2. Verifique el nivel de aceite y el combustible.



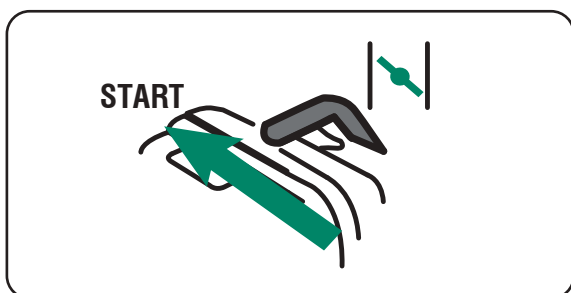
3. Desconecte todas las cargas eléctricas del generador. Nunca arranque ni detenga el generador con dispositivos eléctricos enchufados o encendidos.



4. Gire la válvula de combustible a la posición "ON".



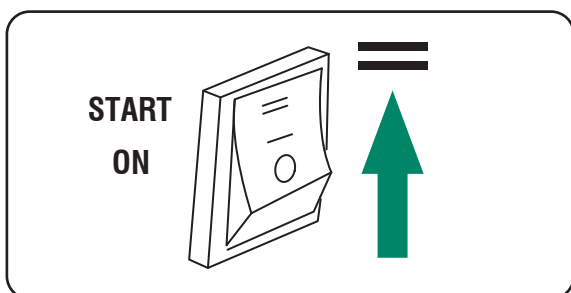
5. Mueva la palanca del cebador a la posición “START”.



6. Arranque el generador (arranque eléctrico / retroceso)

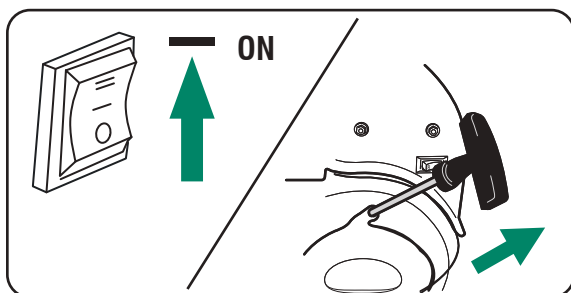
6-1. Arranque eléctrico

Mantenga pulsado el interruptor en la posición “START” (II). El motor girará e intentará arrancar. Cuando el motor arranque, suelte el interruptor a la posición “ON” (I).

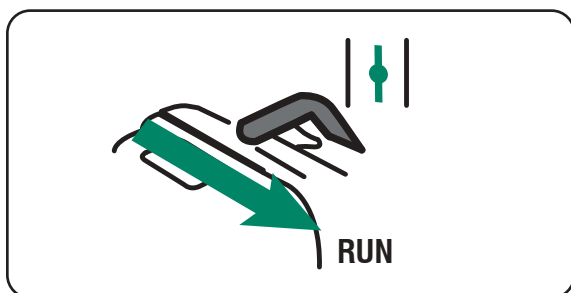


6-2. Arranque de retroceso

Coloque el interruptor del motor en la posición “ON” (I). Tire lentamente del cable de arranque hasta sentir una resistencia y luego tírela rápidamente.



7. No mueva el cebador demasiado. Tan pronto como el motor arranque y se caliente, mueva la palanca del cebador a la posición “RUN”.



8. Deje que el generador funcione sin carga por unos minutos en cada arranque inicial para permitir que se establezcan el motor y el generador.

**⚠ ADVERTENCIA**



La cuerda retráctil para arranque (retracción rápida) empujará la mano y el brazo hacia el motor más rápido de lo que puede soltar, lo que podría provocar huesos rotos, fracturas, hematomas o esguinces, resultando en lesiones graves.

Cuando arranque el motor, tire del cable lentamente hasta que se note cierta resistencia y luego jale rápidamente para evitar el retroceso.

**NOTA:**

Mantenga la palanca del cebador en la posición “START” por un solo tirón del arrancador de retroceso. Tras el primer tirón, mueva la palanca del cebador a la posición “RUN” durante los siguientes 3 tirones del arrancador de retroceso. Demasiado movimiento del cebador conduce al ensuciamiento de la bujía / ahogamiento del motor por falta de aire entrante. Esto hará que el motor no arranque.

Si el motor arranca tras 3 tirones pero no puede funcionar, o la unidad se apaga durante el funcionamiento, asegúrese de que la unidad esté en una superficie nivelada y verifique si hay un nivel de aceite adecuado en el cárter. En esta unidad se puede instalar un dispositivo de protección contra bajo nivel de aceite. Si es así, el aceite debe estar al nivel adecuado para que el motor arranque.

**Conexión de Cargas Eléctricas**

Esta unidad se ha probado previamente y ajustado para manejar su máxima capacidad. Previo al arranque del generador, desconecte todas las cargas. Aplique cargas sólo después de que el generador esté en funcionamiento. El voltaje se regula a través de la velocidad del motor ajustada en fábrica para una salida correcta.

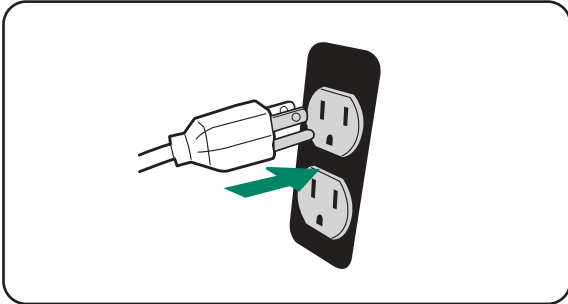
El reajuste anulará la garantía.

**NOTA:**

Al aplicar una carga, no exceda el vatiaje nominal máximo del generador mientras utilice uno o más receptáculos. Tampoco exceda el amperaje nominal de ningún receptáculo.

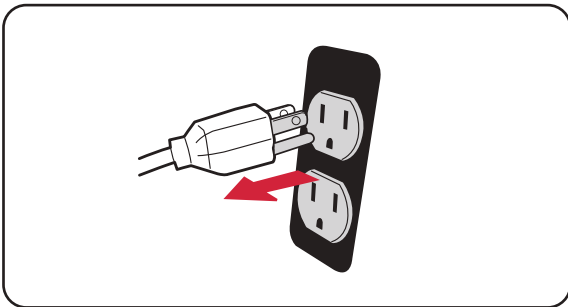
No aplique ninguna carga eléctrica pesada durante el período de rodaje (las primeras 5 horas de funcionamiento).

1. Deje que el motor se estabilice y se caliente unos minutos después del arranque.
2. Asegure que el disyuntor del panel de control esté en la posición ON.
3. Enchufe y encienda las deseadas cargas eléctricas de 120 o 240 voltios AC, monofásicas, 60 Hz. Es mejor conectar el artículo con la mayor carga primero.

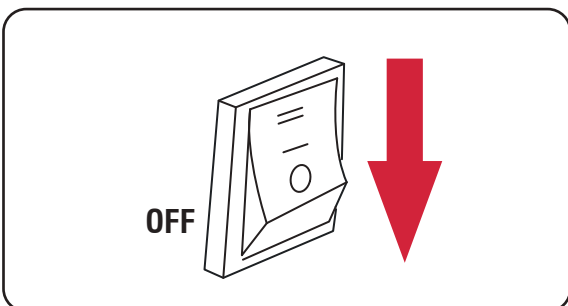


### Detener el Motor

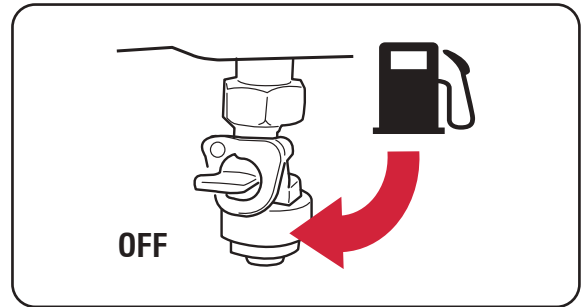
1. Apague y quite las cargas eléctricas enteras. Nunca arranque ni detenga el generador con dispositivos eléctricos enchufados o encendidos. Deje que el generador funcione sin carga durante dos minutos para estabilizar la temperatura interna del motor y del generador.



2. Coloque el interruptor del motor en la posición "OFF" (O) . No deje el generador hasta que se haya detenido completamente.



3. Gire la válvula de combustible a la posición "OFF" (O) .



### ⚠ ADVERTENCIA



El combustible y sus vapores son extremadamente inflamables y explosivos, que podrían provocar quemaduras, incendios o explosiones, resultando en la muerte o graves lesiones.

**NO** detenga el motor moviendo el control del cebador a la posición "START" .

### NOTA:

Siempre asegure que la válvula de combustible se encuentre en la posición "OFF" cuando el motor no esté en uso.

Si el motor no se utilizará por un período de dos semanas o más, consulte la sección Almacenamiento para conocer cómo almacenar adecuadamente el motor y el combustible.

### Apagado por Bajo Nivel de Aceite

Si el aceite del motor desciende por debajo de un nivel preestablecido, un interruptor de aceite detendrá el motor. Verifique el nivel de aceite con la varilla. Si el nivel de aceite está entre las marcas BAJO y ALTO de la varilla:

1. **NO** trate de rearrancar el motor.
2. Póngase en contacto con un Distribuidor de Servicio Autorizado.
3. **NO** opere el motor hasta que se corrija el nivel de aceite.

Si el nivel de aceite se encuentra por debajo de la marca BAJO de la varilla:

1. Añada aceite para que el nivel alcance la marca ALTO.
2. Rearranque el motor y, si se detiene de nuevo, aún puede existir un bajo nivel de aceite. **NO** trate de rearrancar el motor.

3. Póngase en contacto con el Servicio al Cliente.
4. **NO** opere el motor hasta que se corrija el nivel de aceite.

### **No Sobrecargue el Generador**

Si sobrecarga un generador fuera de su capacidad de vatiaje nominal, puede provocar daños al generador y a los dispositivos eléctricos conectados.

Para alargar la vida útil de su generador y los dispositivos conectados, añada carga eléctrica según estos pasos:

1. Ponga en marcha el generador sin ninguna carga eléctrica conectada.
2. Deje funcionar el motor unos minutos para que se estabilice.
3. Enchufe y encienda el primer artículo. Es mejor conectar el artículo con la mayor carga primero.
4. Deje que se estabilice el motor.
5. Enchufe y encienda el siguiente artículo.
6. Deje que se estabilice el motor.
7. Repita los pasos 5-6 para cada artículo adicional.



# MANTENIMIENTO Y ALMACENAMIENTO

## PROGRAMA DE MANTENIMIENTO

El Mantenimiento Periódico mejorará el rendimiento y alargará la vida útil de su generador. Siga los intervalos del programa de mantenimiento, lo que llegue primero, conforme a su uso.

**NOTA:** Las condiciones adversas requerirán revisiones más frecuentes.

### Inspección Visual

Ante de arrancar el motor, efectúe una inspección visual de la unidad, para detectar:

- Nivel de aceite del motor adecuado
- Nivel de combustible apropiado
- Fugas de líquido
- Abrazaderas y pernos sueltos
- Línea de combustible agrietada
- Cableado suelto o deshilachado
- Residuos acumulados

Antes de Cada Uso
Verificar el nivel de aceite del motor Inspección visual
Las Primeras 5 Horas (Rodaje)
Cambiar el aceite del motor
Las Primeras 25 Horas o el Primer Mes
Cambiar el aceite del motor
Cada 100 Horas o 6 Meses
Cambiar el aceite del motor Limpiar el filtro de aire Inspeccionar / Ajustar / Reemplazar la bujía Inspeccionar / Limpiar / Reemplazar el Parachispas
Cada 200 Horas o 12 Meses
Reemplazar el filtro de aire Reemplazar la bujía Inspeccionar / Ajustar la holgura de la válvula *

\* Se realizará por el centro de servicio autorizado

### NOTA:

Cambie el aceite todos los meses cuando funcione bajo cargas pesadas o a temperaturas elevadas. En condiciones operativas sucias o polvorientas, limpie el filtro de aire con más frecuencia. Reemplace el filtro de aire si no se puede limpiar adecuadamente.

### NOTA:

El mantenimiento debe llevarse a cabo más frecuentemente cuando el generador se utiliza en áreas polvorientas.

En caso de que el generador haya excedido las cifras máximas especificadas en la tabla, se debe seguir realizando el mantenimiento acorde a los intervalos u horas aquí señalados.

### Recomendaciones Generales

El mantenimiento periódico mejorará el rendimiento y alargará la vida útil del generador. Consulte a cualquier distribuidor autorizado para recibir servicio. La garantía del generador no abarca artículos sometidos a abuso o negligencia del operador. Para recibir el valor total de la garantía, el operador debe mantener el generador tal como se indica en este manual.

Se necesitará la realización periódica de algunos ajustes para mantener su generador de manera adecuada. Todas las revisiones y ajustes deben ejecutarse por lo menos una vez cada temporada. Siga los requisitos en la tabla del Programa de Mantenimiento más arriba.

## MANTENIMIENTO DEL MOTOR

Para evitar un arranque accidental, retire y conecte a tierra el cable de la bujía antes de cualquier revisión.

### Verificación del Nivel de Aceite del Motor

#### PRECAUCIÓN

Evite el contacto de la piel con el aceite del motor. Use ropa y equipos de protección. Lave toda la piel expuesta con agua y jabón.

#### AVISO

Siempre utilice el aceite del motor especificado. Si no se utiliza el aceite del motor especificado, puede ocasionar un desgaste acelerado y / o acortar la vida útil del motor.

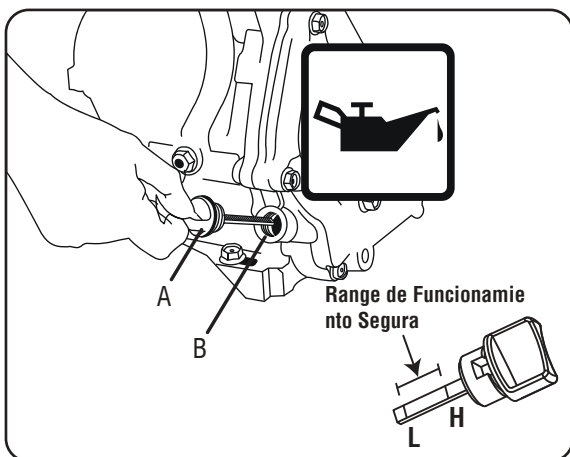
Al utilizar el generador bajo condiciones extremas, sucias, polvorientas o en climas muy calientes, cambie el aceite con más frecuencia.

El rendimiento del aceite del motor se verá afectado por la temperatura ambiente del aire. Cambie el tipo de aceite del motor utilizado basándose en las condiciones meteorológicas.

Tipo de Aceite del Motor Recomendado	
	10W-30
	5W-30
	10W-40
	5W-30 Totalmente Sintético
°F	-20 0 20 40 60 80 100 120
°C	-28.9 -17.8 -6.7 4.4 15.6 26.7 37.8 48.9
Temperatura ambiente	

Verifique el nivel de aceite del motor antes de cada uso o cada 8 horas de funcionamiento.

1. Coloque el generador sobre una superficie nivelada y deje que el motor se refrigere unos minutos.
2. Limpie alrededor de la varilla de nivel de aceite con un trapo húmedo.
3. Quite la varilla de nivel de aceite (A).
4. Limpie la varilla, luego enrósquela en el cuello de llenado (B). Retire la varilla y verifique si el nivel de aceite se encuentra dentro del rango de funcionamiento seguro.
5. Si es bajo, añada el aceite del motor recomendado de manera progresiva y vuelva a verificar hasta que el nivel esté entre las marcas BAJO y ALTO de la varilla. NO lo llene en exceso. En caso de sobrepasar la marca COMPLETO de la varilla, drene el aceite para reducir el nivel de aceite a dicha marca.
6. Reemplace la varilla de nivel de aceite y apriétela con la mano.



### Cambio de Aceite del Motor

Cambie el aceite del motor de acuerdo con el programa de mantenimiento. Si utiliza su generador bajo condiciones muy sucias o polvorientas o en climas extremadamente cálidos, cambie el aceite con más frecuencia.

### ⚠️ ADVERTENCIA



Riesgo de quemaduras. Deje que el motor se refrigere antes de drenar el aceite o el refrigerante. De no hacerlo, podría resultar en la muerte o graves lesiones.

### ⚠️ PRECAUCIÓN

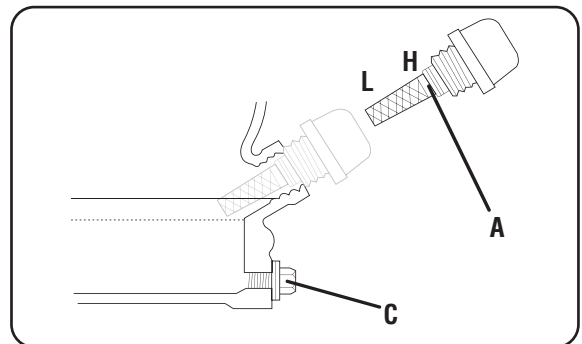
Evite el contacto prolongado o repetido de la piel con el aceite del motor usado.

1. Quite la tapa de aceite (A) y limpie la varilla.
2. Coloque un recipiente bajo el tapón de drenaje de aceite para recolectar el lubricante usado cuando se drena.
3. Desenrosque el tapón de drenaje de aceite (C) y retírelo.
4. Deje drenar el lubricante por completo.

### NOTA:

Drene el lubricante mientras que el motor todavía está tibio pero no caliente. El lubricante tibio se drenará rápido y más completamente.

5. Reinstale el tapón de drenaje de aceite (C) y apriételo bien.
6. Llene el motor con aceite hasta que llegue al nivel ALTO (H) en la tapa de llenado de aceite.
7. Reinstale la tapa de aceite.



Si se utiliza aceite contaminado o deteriorado o la cantidad de aceite del motor es insuficiente, el motor se dañará y su vida útil se acortará en gran medida. Capacidad máxima de aceite: 33.8 fl.oz (1.0L)

### Mantenimiento de la Bujía

La bujía debe ser adecuadamente separada y estar libre de depósitos para asegurar un funcionamiento apropiado del motor. Para la verificación:

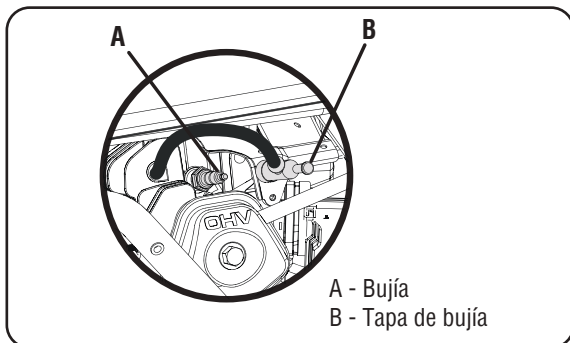
1. Quite la tapa de la bujía (B).

- Elimine toda la suciedad alrededor de la base de la bujía.
- Retire la bujía (A) utilizando la llave incluida.
- Inspeccione si hay daños en la bujía y límpiela con un cepillo de alambre antes de su reinstalación. Si el aislador está agrietado o astillado, la bujía debe ser reemplazada.
- Mida la separación de la bujía. La separación correcta está entre 0.028-0.031 pulg. (0.7-0.8 mm). Para ampliar la separación, doble el electrodo de tierra (superior) con cuidado en caso necesario. Para disminuir la separación, golpee ligeramente el electrodo de tierra en una superficie dura.
- Coloque la bujía en posición; rósquela a mano para evitar el cruzamiento.
- Apriétela con una llave para comprimir la arandela. Si la bujía es nueva, comprima la arandela 1/2 vuelta. En caso de reutilizar una bujía anterior, aplique 1/8 a 1/4 vuelta para una compresión adecuada de la arandela.

**NOTA:**

An improperly tightened spark plug will become very hot and could damage the engine.

- Reinstall the spark plug cap (B).

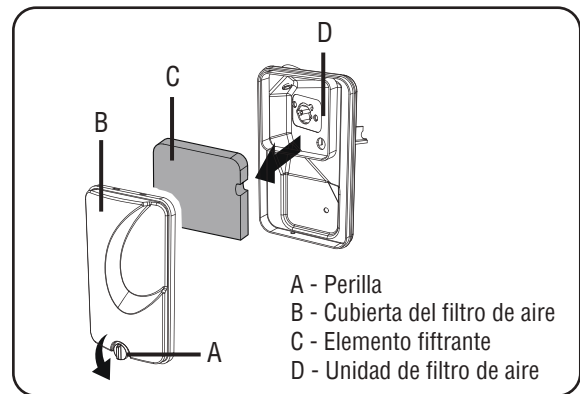


**Mantenimiento del Filtro de Aire**

Para lograr un rendimiento adecuado y una larga vida útil, mantenga limpio el filtro de aire.

- Gire la perilla (A) en la parte inferior de la cubierta del filtro de aire para liberarla. Quite la cubierta (B) y déjela a un lado.

- Retire el elemento filtrante (C).
- Si el elemento filtrante está sucio, límpielo con agua jabonosa tibia. Enjuáguelo y déjelo secar.
- Aplique una capa ligera de lubricante del motor al elemento, luego estrújelo.
- Recoloque el elemento (C) en la unidad de filtro de aire.
- Recoloque la cubierta del filtro de aire (B) y apriete la perilla (A).



**Reemplazo de la Batería**

**⚠ ADVERTENCIA**

Peligro de Quemaduras La batería contiene ácido sulfúrico. (electrolito) que es muy corrosivo y venenoso. Use ropa protectora y protección ocular al trabajar cerca de la batería. Mantenga a los niños alejados de la batería.

**⚠ PRECAUCIÓN**

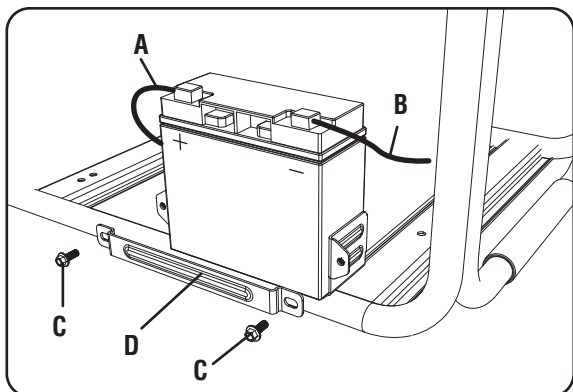
Los bornes y terminales de la batería contienen plomo y compuestos de plomo. Lávese las manos después de manipular el equipo.

- Retire el cable de la bujía desde la bujía.
- Desconecte el cable positivo (A) y el cable negativo (B) de la batería retirando los pernos (M6x12) y las tuercas (M6) de los bornes negativo y positivo de la batería.
- Afloje y quite los pernos (C) (M6x12) en el soporte de sujeción de la batería (D).
- Reemplace la batería con otra nueva. Especificaciones de la batería: 12V, 12AH sellada de ácido-plomo L. x An. x Al.: 5.9\*3.4\*5.1 pulg. (150\*86\*130 mm)
- Reinstale el soporte de sujeción de la batería (D) y apriete los pernos (C).

6. Conecte el cable positivo con carcasa roja primero y luego el cable negativo con carcasa negra. Apriete los pernos y tuercas y cúbralos con carcasas.
7. Instale el cable de la bujía en la bujía.

### **AVISO**

Elimine la batería usada adecuadamente según las directrices establecidas por su gobierno local o estatal.

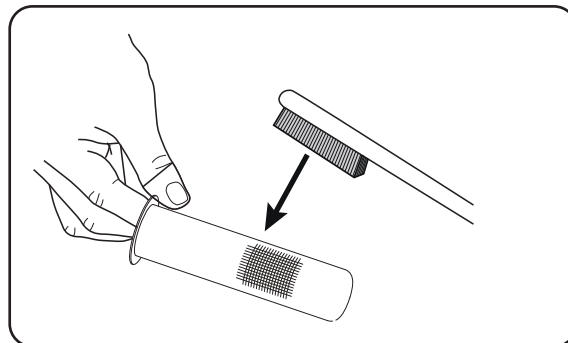
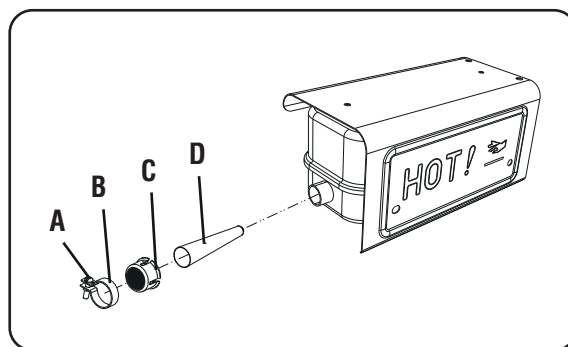


### **Limpiar el Parachispas**

1. Deje que el motor se refrigere por completo antes de revisar el parachispas.
2. Afloje el tornillo (A) para poder retirar la abrazadera (B) y la placa cubierta (C).
3. Retire la pantalla parachispas (D).
4. Utilice un cepillo de alambre para quitar los depósitos de carbono de la pantalla parachispas con cuidado.
5. Reemplace el parachispas si encuentra daños.
6. Coloque el parachispas en el silenciador y fíjelo con los tornillos retirados en el paso 2.

#### **NOTA:**

Este producto dispone de un parachispas que se ha evaluado por el Servicio Forestal de EE.UU.; pero los usuarios del producto deben cumplir con las normativas de prevención de incendios federales, estatales y locales. Verifique con las autoridades competentes. Póngase en contacto con el servicio al cliente o un centro de servicio calificado para comprar un parachispas de recambio.



### **Holgura de la Válvula**

**Importante:** Póngase en contacto con el Centro de Servicio Autorizado para solicitar asistencia de servicio. La holgura adecuada de la válvula es esencial para alargar la vida útil del motor. Verifique la holgura de la válvula en función del programa de mantenimiento.

Holgura de la Válvula	Válvula de Admisión	Válvula de Escape
	0.004~0.006 inch 0.1~0.15 mm	0.006~0.008 inch 0.15~0.2 mm
Par	10-12 N·M	10-12 N·M

### **AVISO**

Se debe verificar y ajustar la holgura de la válvula cuando el motor está frío.

### **MANTENIMIENTO DEL GENERADOR**

Asegúrese de que el generador se mantenga limpio y se almacene adecuadamente. Sólo opere la unidad sobre una superficie plana y nivelada en un entorno operativo limpio y seco.

**NO** exponga la unidad a condiciones extremas, a un exceso de polvo, suciedad, humedad ni a vapores corrosivos.

#### **NOTA:**

**NO** limpie el generador a través de una manguera de jardín. Puede entrar agua en el generador a través de las ranuras de refrigeración, dañando así los bobinados del generador. Limpie las superficies exteriores del generador con un paño húmedo.

Utilice un cepillo de cerdas suaves para eliminar la suciedad y el aceite.

Elimine la suciedad y los residuos del generador utilizando un compresor de aire de 25 PSI (172 kPa). Inspeccione todas las rejillas de ventilación y ranuras de refrigeración para asegurar que estén limpias y sin obstrucciones.

### Almacenamiento

Se recomienda arrancar y hacer funcionar el generador por 30 minutos cada 30 días. Si esto no es posible, consulte el almacenamiento a corto y largo plazo de abajo.

#### Almacenamiento a Corto Plazo

Llene el tanque con gasolina reciente y añada un estabilizador de gasolina. Drene la cubeta de flotación del carburador.

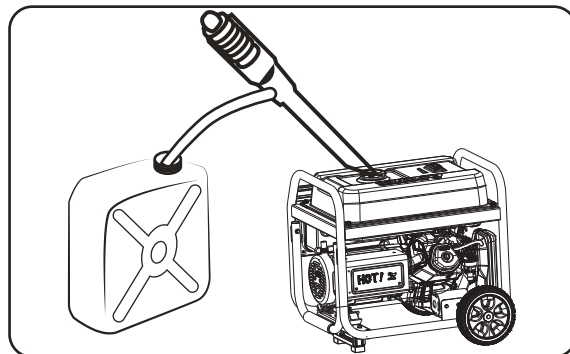
- 1 - Añada un ESTABILIZADOR DE COMBUSTIBLE adecuadamente formulado al tanque si no se ha instalado.
- 2 - Haga funcionar el motor durante 10-15 minutos para hacer circular el estabilizador por todo el sistema de combustible.
- 3 - Deje que el generador se refrigere un mínimo de 30 minutos y luego drene la cubeta de flotación del carburador.
- 4 - Limpie el generador y almacénelo en un área fresca, seca y bien ventilada fuera de la luz solar directa.

#### Almacenamiento a Largo Plazo (más de un año)

Para almacenar a largo plazo, el tanque de gasolina y el carburador deben drenarse de gasolina.

- 1 - Después de que el motor se refrigere, quite toda la gasolina del tanque de combustible a través de un sifón no conductor.
- 2 - Para retirar la gasolina que queda en el sistema de combustible:
  - a-Mantenga la válvula de combustible abierta y haga funcionar el motor hasta que se detenga por falta de combustible.
  - 0
  - b-Mantenga abierta la válvula de combustible y drene la cubeta de flotación del carburador.
- 3 - Cambie el aceite del motor.
- 4 - Retire la bujía.
- 5 - Vierta una cucharada (5-10 cc) de aceite del motor limpio en el cilindro.
- 6 - Tire del retroceso del arrancador varias veces para distribuir el aceite en el cilindro.
- 7 - Instale la bujía.

- 8 - Tire del retroceso lentamente hasta sentir una resistencia. Esto cierra las válvulas para que no pueda entrar humedad en el cilindro del motor. Suelte ligeramente el retroceso.
- 9 - Limpie el generador y almacénelo en un área fresca, seca y bien ventilada fuera de la luz solar directa.



#### DRENAR LA CUBETA DE FLOTACIÓN

1. Gire la válvula del tanque de combustible a la posición APAGADO.
2. Localice el tornillo de drenaje en la parte inferior de la cubeta de flotación del carburador.
3. Coloque un recipiente de gasolina adecuado por debajo del tornillo de drenaje para recolectar el combustible drenado.
4. Afloje el tornillo de drenaje de la cubeta de flotación y deje que el combustible se drene. Apriete el tornillo de drenaje de la cubeta de flotación.

#### PELIGRO

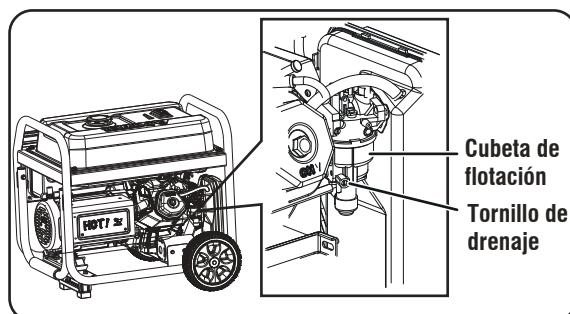


Explosión e Incendio. El combustible y sus vapores son muy inflamables y explosivos. Almacene el combustible en un área bien ventilada. Mantenga alejados el fuego y las chispas. De no hacerlo, causará la muerte o graves lesiones.

#### ADVERTENCIA



Riesgo de Incendio. Verifique que la máquina se ha refrigerado adecuadamente antes de instalar la cubierta y almacenar la máquina. Las superficies calientes podrían causar un incendio.

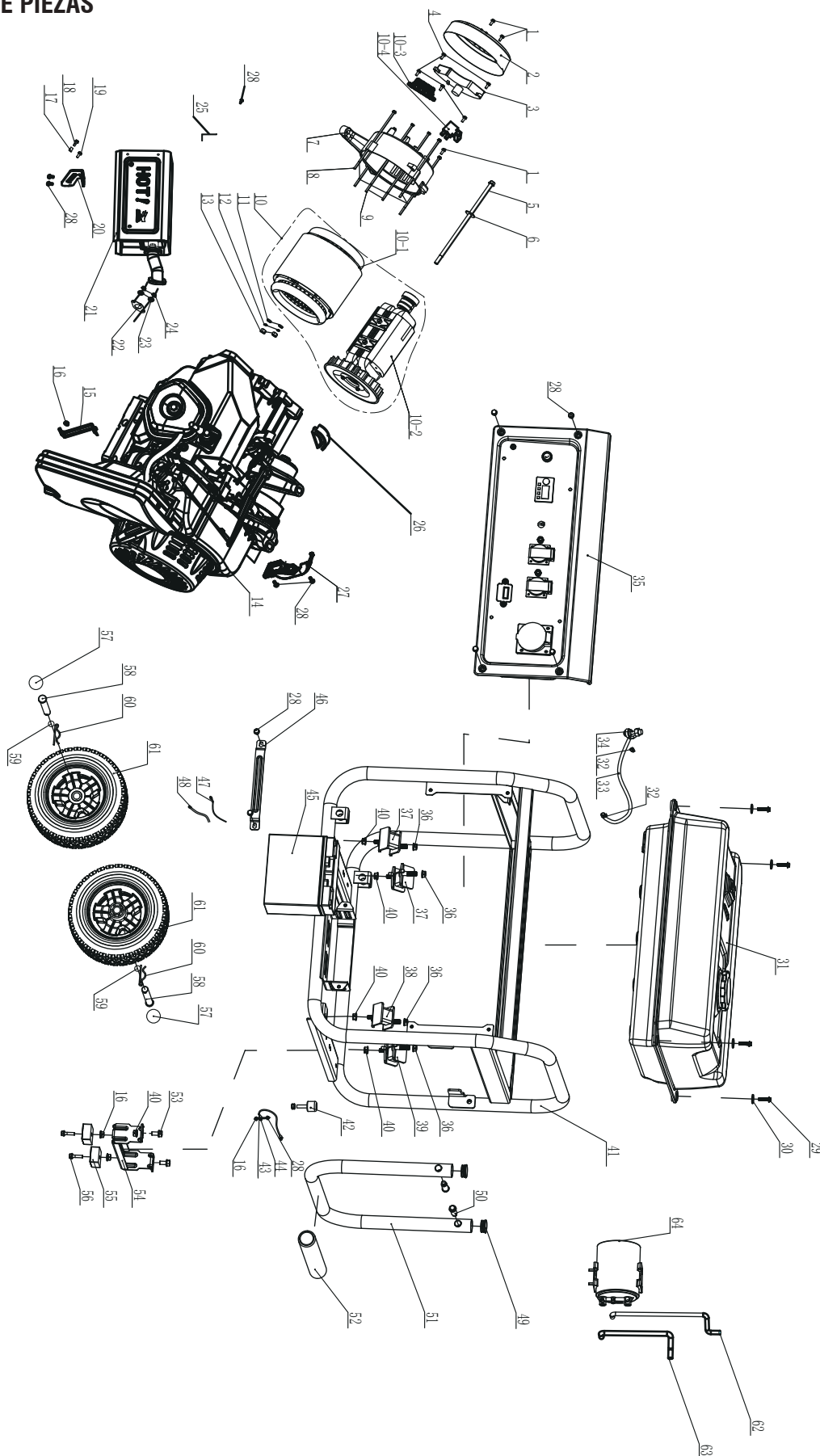




# RESOLUCIÓN DE PROBLEMAS

PROBLEMA	POSIBLE CAUSA	SOLUCIÓN
El motor está en funcionamiento, pero ninguna salida AC está disponible.	<ol style="list-style-type: none"> <li>1. El disyuntor AC está abierto.</li> <li>2. Se produjo algún fallo en el generador.</li> <li>3. Hay una mala conexión o el juego de cables es defectuoso.</li> <li>4. El dispositivo conectado es defectuoso.</li> <li>5. El tomacorriente de GFCI está abierto (si está equipado).</li> </ol>	<ol style="list-style-type: none"> <li>1. Verifique la carga AC y restablezca el disyuntor.</li> <li>2. Póngase en contacto con el servicio al cliente o el centro de servicio autorizado.</li> <li>3. Realice la verificación y reparación.</li> <li>4. Conecte otro dispositivo que esté en un buen estado.</li> <li>5. Corrija la falla a tierra y pulse el botón Restablecer en el tomacorriente de GFCI.</li> </ol>
El motor funciona bien sin carga, pero "se atasca" cuando se conectan cargas.	<ol style="list-style-type: none"> <li>1. Hay cortocircuito en una carga conectada.</li> <li>2. La velocidad del motor es demasiado baja.</li> <li>3. El generador está sobrecargado.</li> <li>4. El circuito del generador está en corto.</li> <li>5. El filtro de combustible está obstruido o sucio.</li> <li>6. El dispositivo conectado es defectuoso.</li> </ol>	<ol style="list-style-type: none"> <li>1. Desconecte la carga eléctrica en cortocircuito.</li> <li>2. Póngase en contacto con el servicio al cliente o el centro de servicio autorizado.</li> <li>3. Reduzca la carga.</li> <li>4. Póngase en contacto con el servicio al cliente o el centro de servicio autorizado.</li> <li>5. Limpie o reemplace el filtro de combustible.</li> <li>6. Conecte otro dispositivo que esté en un buen estado.</li> </ol>
El motor no arranca; arranca y funciona con dificultad o se apaga durante el funcionamiento.	<ol style="list-style-type: none"> <li>1. El interruptor del motor está colocado en la posición APAGADO (O).</li> <li>2. La válvula de combustible se encuentra en la posición APAGADO (O).</li> <li>3. El nivel de aceite es bajo.</li> <li>4. El filtro de aire está sucio.</li> <li>5. No hay combustible.</li> <li>6. El combustible es rancio.</li> <li>7. El cable de la bujía no está conectado a la bujía.</li> <li>8. La bujía es defectuosa.</li> <li>9. Hay agua en el combustible.</li> <li>10. Está desbordado.</li> <li>11. La mezcla de combustible es demasiado pesada.</li> <li>12. La válvula de admisión se ha atascado abierta o cerrada.</li> <li>13. El motor ha perdido compresión.</li> <li>14. El filtro de combustible está obstruido o sucio.</li> <li>15. La pantalla parachispas está obstruida o sucia.</li> <li>16. La batería está drenada.</li> <li>17. Las conexiones de los cables de la batería están sueltas.</li> </ol>	<ol style="list-style-type: none"> <li>1. Coloque el interruptor del motor en la posición ENCENDIDO (I).</li> <li>2. Mueva la válvula de combustible a la posición ENCENDIDO (I).</li> <li>3. Llene el cárter hasta un nivel adecuado o coloque el generador sobre una superficie nivelada.</li> <li>4. Limpie o reemplace el filtro de aire.</li> <li>5. Llene el tanque de combustible.</li> <li>6. Drene el tanque de combustible y el carburador; llénelos con combustible reciente.</li> <li>7. Conecte el cable a la bujía.</li> <li>8. Reemplace la bujía.</li> <li>9. Drene el tanque de gasolina y el carburador; llénelos con combustible reciente.</li> <li>10. Espere 5 minutos y luego vuelva a girar el motor.</li> <li>11. Póngase en contacto con el servicio al cliente o el centro de servicio autorizado.</li> <li>12. Póngase en contacto con el servicio al cliente o el centro de servicio autorizado.</li> <li>13. Póngase en contacto con el servicio al cliente o el centro de servicio autorizado.</li> <li>14. Reemplace el filtro de combustible.</li> <li>15. Limpie o reemplace la pantalla parachispas.</li> <li>16. Cargue la batería. Arranque el generador utilizando la palanca de retroceso.</li> <li>17. Asegúrese de que los cables de la batería estén firmemente conectados a la batería.</li> </ol>
El motor carece de potencia.	<ol style="list-style-type: none"> <li>1. La carga es demasiado alta.</li> <li>2. El filtro de aire está sucio.</li> <li>3. El filtro de combustible está obstruido o sucio.</li> <li>4. La pantalla parachispas está obstruida o sucia.</li> <li>5. El motor debe ser revisado.</li> <li>6. El combustible no es bueno.</li> </ol>	<ol style="list-style-type: none"> <li>1. Reduzca la carga.</li> <li>2. Reemplace el filtro de aire.</li> <li>3. Limpie o reemplace el filtro de combustible.</li> <li>4. Limpie o reemplace la pantalla parachispas.</li> <li>5. Póngase en contacto con el servicio al cliente o el centro de servicio autorizado.</li> <li>6. Drene el tanque de gasolina y el carburador; llénelos con combustible reciente.</li> </ol>
El motor "cabecea" u oscila.	<ol style="list-style-type: none"> <li>1. El carburador funciona de manera demasiado pesada o demasiado inclinada.</li> <li>2. El filtro de combustible está obstruido o sucio.</li> <li>3. El cebador se abre demasiado pronto.</li> </ol>	<ol style="list-style-type: none"> <li>1. Póngase en contacto con el servicio al cliente o el centro de servicio autorizado.</li> <li>2. Reemplace el filtro de combustible.</li> <li>3. Coloque el cebador en la posición media hasta que el motor funcione con fluidez.</li> </ol>
El motor se apaga durante el funcionamiento.	<ol style="list-style-type: none"> <li>1. No hay combustible.</li> <li>2. El filtro de aire está sucio.</li> <li>3. El nivel de aceite es bajo.</li> </ol>	<ol style="list-style-type: none"> <li>1. Llene el tanque de combustible.</li> <li>2. Limpie o reemplace el filtro de aire.</li> <li>3. Llene el cárter hasta un nivel adecuado o coloque el generador sobre una superficie nivelada.</li> </ol>

## DIAGRAMA DE PIEZAS





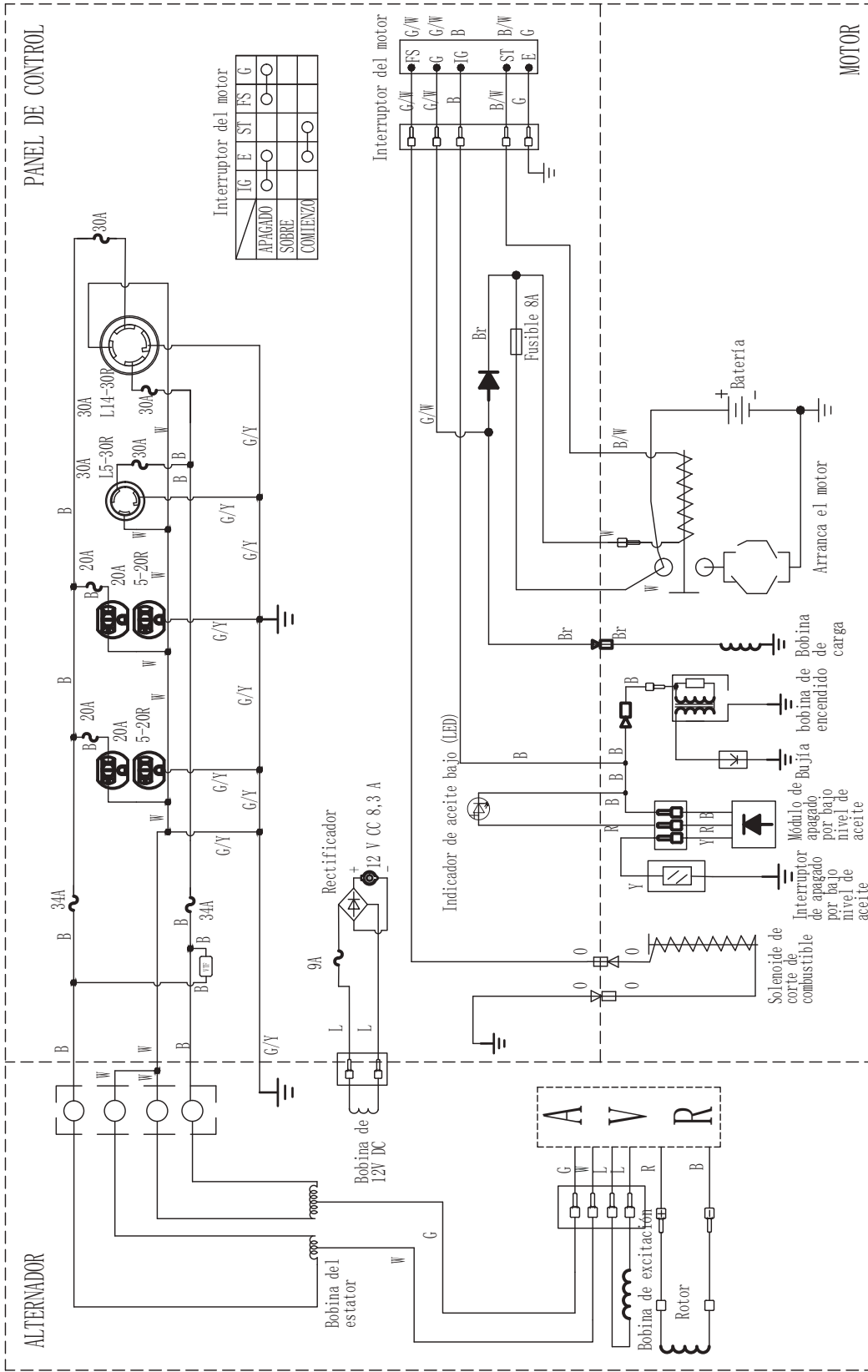
## Lista de Piezas

NO.	Número de pieza	Descripción	Cant.
1	30101-00326-00	Perno de brida M5*12	4
2	33082-00171-00	Tapa trasera del alternador	1
3	20044-00104-00	Regulador	1
4	30101-00329-00	Perno de brida M5*16	5
5	30101-00113-00	Perno de brida M10*310	1
6	30136-00016-00	Arandelas planas	1
7	33085-00058-00	Soporte alternador	1
8	30101-00090-00	Perno de brida M6*200	4
9	30100-00033-00	Perno hexagonal M5*225	2
10	20029-10551-00	Rotor-estator	1
10-1	/	Estator	1
10-2	/	Rotor	1
10-3	/	Terminal	1
10-4	/	Brocha de carbón	1
11	30136-00012-00	Arandelas planas	2
12	30139-00005-00	Arandela de resorte	2
13	30128-00008-00	Tuerca de nailon M5	2
14	20260-02343-03	Motor	1
15	33499-00016-00	Soporte del filtro de aire	1
16	30125-00019-00	Tuerca embrizada M6	6
17	34032-00017-00	cojinete	1
18	30101-00387-00	Perno de brida M8*32	1
19	30101-00361-00	Perno de brida M8*25	1
20	20249-00082-00	Partes de apoyo	1
21	20202-00352-00	Silenciador	1
22	33048-00093-00	Junta de silenciador	2
23	30139-00036-00	Arandela de resorte	2
24	30121-00007-00	Tuerca hexagonal M8	2
25	33138-00009-00	Deflector de la tapa del cárter	1
26	33138-00017-00	Caucho a prueba de polvo	1
27	20184-00007-00	Blindaje de alambre	1
28	30101-00339-00	Perno de brida M6*12	11
29	30101-00407-00	Perno de brida M6*25	6
30	30136-00074-00	Junta del tanque de combustible	4
31	20130-00451-00	Depósito de combustible	1
32	34024-00002-00	Abrazadera	2
33	34023-00004-00	Tubería de combustible	0.18
34	20133-00002-00	Válvula de gasolina	1
35	20114-03797-00	Panel de control	1

NO.	Número de pieza	Descripción	Cant.
36	30125-00026-00	Tuerca embrizada M10	4
37	34030-00040-00	Soporte de amortiguación	2
38	34030-00039-00	Soporte de amortiguación A	1
39	34030-00044-00	Soporte de amortiguación B	1
40	30125-00023-00	Tuerca embrizada M8	6
41	20090-01329-00	Componentes del rack	1
42	34030-00009-00	Amortiguador	1
43	33301-00010-00	Cojín de resorte	1
44	20196-00122-00	Partes del arnés	1
45	31002-00013-00	Batería	1
46	20217-00038-00	Placa de presión	1
47	20196-00271-00	Partes del arnés	1
48	20196-00272-00	Partes del arnés	1
49	33126-00008-00	Enchufar	2
50	33580-00035-00	Pasador de fijación	2
51	20135-00283-02	Tubo de la manija	1
52	33015-00012-00	Manga de goma	1
53	30101-00355-00	Perno de brida M8 * 16	2
54	20014-00117-03	Piezas de soporte	1
55	34030-00079-00	Almohadilla de goma	2
56	30101-00341-00	Perno de brida M6 * 16	4
57	33141-00027-00	Tapacubos	2
58	34031-00027-00	Pasador del eje	2
59	30136-00086-00	Arandelas planas	2
60	34006-00020-00	Pasador de chaveta	2
61	20134-00024-00	Montaje de rueda	2
62	34023-00197-00	Tubo respirador	1
63	34023-00198-00	Tubo respirador	1
64	34038-00057-00	Recipiente de carbono	1

# Diagrama de Circuitos Modelo: AP10000E

Sistema de puesta a tierra(AC):Neutro Unido al Bastidor      Sistema de puesta a tierra(AC):Flotación del Sistema



B:NEGRO	G:VERDE	L:AZUL	R:ROSA	Y:AMARILLO	BW:NEGRO/BLANCO	R/W:ROJO/BLANCO
Br:MARRÓN	Gy:GRIS	O:MARAJA	W:MBLANCO	P:ROSA	Y/G:AMARILLO/VERDE	

# GARANTÍA

## GARANTÍA LIMITADA

MANTENGA SU RECIBO. Se necesitará un comprobante de compra para justificar cualquier reclamo de garantía.

QUÉ ESTÁ CUBIERTO: A-iPower Corp. garantiza al comprador minorista original en los Estados Unidos de América o en Canadá que este producto está libre de defectos en materiales y mano de obra y acepta, en la dirección de A-iPower Corp, reparar, proporcionar piezas de recambio para, o reemplazar (sin cargo alguno por las piezas o la mano de obra) cualquier producto o componente con un defecto material durante un período de 1 años desde la fecha de compra, excepto cuando sea limitado en los siguientes casos. El servicio de garantía y las piezas de recambio están garantizados únicamente por la duración de la garantía del producto original. Todas las piezas o productos reemplazados se convertirán en propiedad de A-iPower Corp. Este producto también está cubierto por una Garantía del Sistema de Control de Emisiones, en forma separada y adicional a la garantía.

## GARANTÍA

Garantía limitada A-iPower - 1 año residencial y Comercial de 1 año

La garantía residencial de 1 año se aplica de la siguiente manera: 1er. año Piezas y mano de obra

Gracias por elegir los productos de A-iPower. Para asegurar el registro adecuado de la garantía de su producto, presente el registro de garantía junto con el comprobante de compra dentro de los 10 días siguientes a la fecha de compra, esto se puede hacer de la siguiente manera:

- a) Completar el formulario de Registro de Garantía al final de este manual y enviarlo por correo a:  
A-IPOWER CORP 10887 COMMERCE WAY UNIT A  
FONTANA CA 92337 EE.UU.
- b) Visitarlos en [www.a-ipower.com](http://www.a-ipower.com) y hacer clic en el icono de registro del producto.

## Plazo de Garantía

A-iPower proporcionará al comprador original una garantía para cualquiera de sus productos comprados a través de cualquier distribuidor autorizado de A-iPower en América del Norte y

estará garantizado contra defectos en materiales y mano de obra durante un período de uno (1) años para el uso del Consumidor desde la fecha de compra, sujeto a las exclusiones aquí señaladas. Las aplicaciones Comerciales y de Alquiler están garantizadas durante un período de un (1) año desde la fecha de compra.

“Uso del Consumidor” - uso doméstico residencial por parte de un consumidor minorista  
“Uso Comercial” - cualquier otro uso - para propósitos comerciales, empresariales, industriales o de alquiler

## Cómo Obtener el Servicio de Garantía

Llame a nuestro Departamento de Servicio al Cliente al

1-855-888-3598

o envíe e-mail a [support@a-ipower.com](mailto:support@a-ipower.com)

Tenga a mano la información necesaria - Modelo, Número de Serie, Comprobante de Compra

## **NO DEVUELVA EL PRODUCTO AL LUGAR DE COMPRA**

El Departamento de Servicio al Cliente de A-iPower prestará asistencia con todas las preguntas relacionadas con el producto, ayudará a resolver los problemas y enviará todas las piezas de recambio según sea necesario sin costo mientras que el producto está dentro del período de garantía. Si no se puede resolver el problema, el Departamento de Servicio al Cliente de A-iPower, a su discreción, determinará y autorizará el diagnóstico y reparación a través de uno de sus Centros de Servicio autorizados. A-iPower Corp, a su discreción, puede optar por proporcionar el reemplazo de piezas, componentes o producto. La revisión o reemplazo de piezas en cualquier centro de reparaciones no autorizado sin autorización previa no estará cubierto por esta garantía.

## Exclusiones de Garantía

Esta garantía no abarca lo siguiente: Desgaste y mantenimiento regulares - esta garantía no cubrirá la reparación cuando el uso normal ha agotado la vida útil de una pieza o motor.

Instalación y Mantenimiento - esta garantía no cubre el montaje, alteración o modificación inadecuado o no autorizado, ni ningún otro daño resultante del mal uso o negligencia.

Piezas de mantenimiento normal - esta garantía no cubre las bujías, filtros de aire, ajustes u otro servicio relacionado debido a obstrucciones y otras acumulaciones resultantes del mantenimiento inadecuado. Exclusiones adicionales - esta garantía no cubre las piezas consumibles como filtros, bujías, anillos tóricos, baterías, etc. No cubre ningún defecto cosmético como arañazos en la pintura, calcomanías, etc. No cubre ningún daño resultante del uso de piezas que no sean del fabricante original o del uso de piezas de postventa. No cubre ninguna falla debida a actos de Dios y otros eventos de fuerza mayor fuera del control del fabricante.

### **Límites de Garantía e Implicaciones y Daños Consecuentes**

A-iPower no está obligada a cubrir ninguna pérdida de tiempo, uso del producto, costo de flete ni ningún otro reclamo incidental o consecuente del uso de este producto. Esta garantía es en lugar de todas las demás garantías, explícitas o implícitas.

Esta garantía le otorga derechos legales específicos que varían de estado a estado.

### **DIRECTRICES DE DEVOLUCIÓN DE MERCANCÍAS**

- Todos los productos deben ser devueltos en su empaque original o equivalente. No se aceptarán devoluciones embaladas de forma incorrecta.
- Debe haber un embalaje apropiado para el transporte.
- La ley federal exige que todas las máquinas que operan con gasolina, aceite u otro material inflamable los líquidos combustibles se deben drenar completamente y meticulosamente antes del envío .
- Las tapas de gas y los tapones de aceite deben dejarse durante 24 horas previo al envío. Tenga en cuenta que: la responsabilidad por esta violación de la ley reside en el remitente del envío.
- Devolver a la dirección proporcionada en la autorización de devolución, utilizando el servicio de paquetería requerido. Los productos devueltos sin autorización no serán aceptados.
- Tenga en cuenta: Nota: no se otorgarán reembolsos por productos que hayan sido modificados o dañados por abuso o uso que no esté en conformidad con las instrucciones del producto.





Fontana, CA 92337 EE.UU.

Teléfono: 1-855-888-3598

[support@a-ipower.com](mailto:support@a-ipower.com)

[www.a-ipower.com](http://www.a-ipower.com)



# FORMULARIO DE REGISTRO DE GARANTÍA DE A-iPOWER

Registre su producto enviando este formulario por correo a support@a-ipower.com o regístrelo en línea en: www.a-ipower.com.

El registro de su producto es importante, proporciona las siguientes protecciones:

1. Tiene registro del producto comprado
2. Podemos ponernos en contacto con usted en el improbable caso de que sea necesario notificarle.
3. El Servicio al Cliente puede ofrecerle Mejores servicios sobre las cuestiones relacionadas con la Garantía

Información del Cliente:	Información del Producto:
Nombre: _____	Número de Serie # _____
Teléfono: _____	
E-mail: _____	Modelo # _____
Dirección: _____	
Ciudad, Estado: _____	El número de serie se puede encontrar en el motor.
Código postal: _____	Tenga en cuenta: Su producto no puede registrarse sin el modelo ni los números de serie.
Fecha de compra: _____	

- EL PRODUCTO FUE COMPRADO PARA: A.  Limpieza residencial  
 B.  Otros \_\_\_\_\_
2. ESTE PRODUCTO ES UN: (seleccione uno)  
 A.  Compra por primera vez  
 B.  Reemplazo
3. CÓMO SE ENTERÓ DE ESTE PRODUCTO POR PRIMERA VEZ? (seleccione uno)  
 A.  Radio  
 B.  Exhibición en tienda  
 C.  Contratista  
 D.  Feria comercial  
 G.  Correo directo  
 H.  De un Amigo / Familiar / Vecino  
 I.  Internet  
 J.  Otros \_\_\_\_\_

4. CALIFIQUE LO SIGUIENTE:

	Totalmente satisfecho				Nada satisfecho
	5	4	3	2	1
Valor del producto por precio					
Pagado	<input type="checkbox"/>	<input type="checkbox"/>	<input type="checkbox"/>	<input type="checkbox"/>	<input type="checkbox"/>
Rendimiento	<input type="checkbox"/>	<input type="checkbox"/>	<input type="checkbox"/>	<input type="checkbox"/>	<input type="checkbox"/>
Funciones	<input type="checkbox"/>	<input type="checkbox"/>	<input type="checkbox"/>	<input type="checkbox"/>	<input type="checkbox"/>
Apariencia del producto	<input type="checkbox"/>	<input type="checkbox"/>	<input type="checkbox"/>	<input type="checkbox"/>	<input type="checkbox"/>
Garantía	<input type="checkbox"/>	<input type="checkbox"/>	<input type="checkbox"/>	<input type="checkbox"/>	<input type="checkbox"/>
Facilidad de mantenimiento	<input type="checkbox"/>	<input type="checkbox"/>	<input type="checkbox"/>	<input type="checkbox"/>	<input type="checkbox"/>
Nivel de ruido	<input type="checkbox"/>	<input type="checkbox"/>	<input type="checkbox"/>	<input type="checkbox"/>	<input type="checkbox"/>

5. CUÁN PROPABLE ES QUE USTED RECOMIENDE A-iPOWER A SU FAMILIA O AMIGOS?

	Extremadamente probable				Nada probable
	5	4	3	2	1
	<input type="checkbox"/>	<input type="checkbox"/>	<input type="checkbox"/>	<input type="checkbox"/>	<input type="checkbox"/>

Declaración de Privacidad: A-ipower se compromete a respetar su privacidad y cumplir con las normativas sobre la protección de datos personales. Los datos de la encuesta que recogemos sirven para propósitos de comercialización o soporte de productos e información demográfica sobre toda la audiencia que registra sus productos.





Fontana, CA 92337 EE.UU.

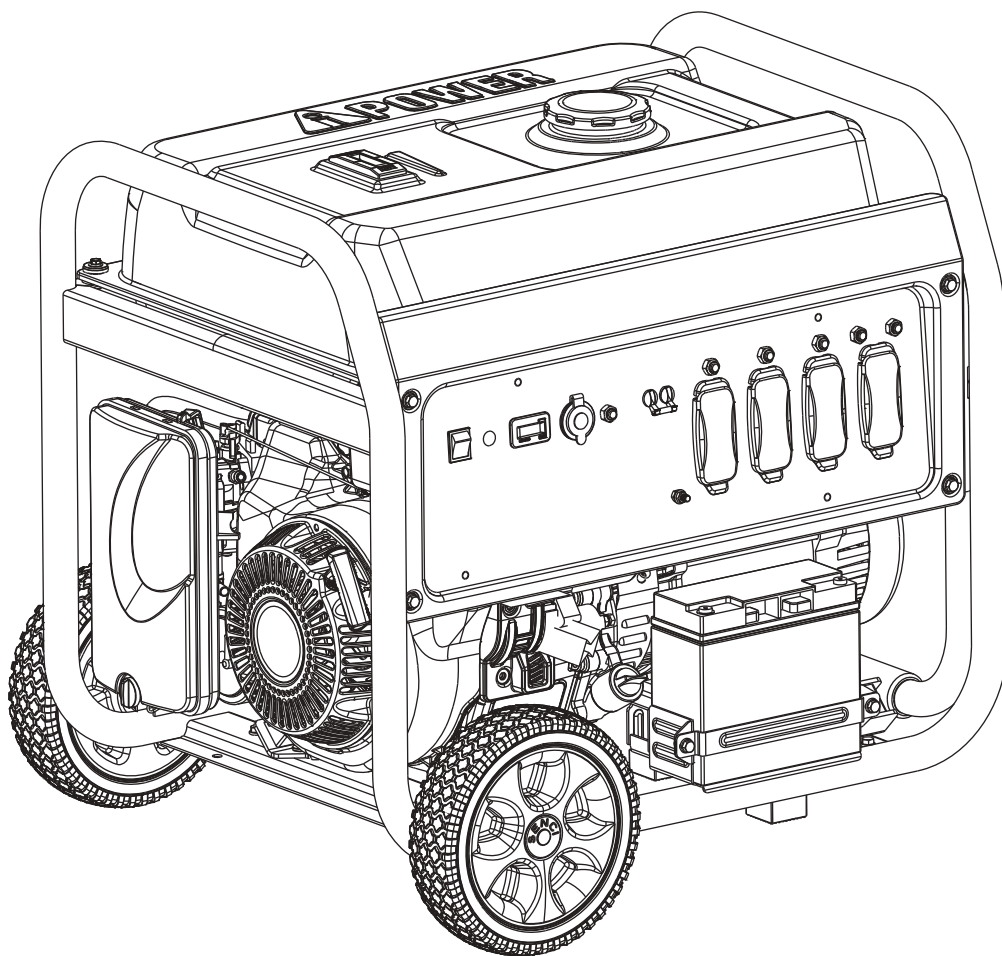
Teléfono: 1-855-888-3598

[support@a-ipower.com](mailto:support@a-ipower.com)

[www.a-ipower.com](http://www.a-ipower.com)

# **POWER**<sup>TM</sup>

## **GÉNÉRATEUR PORTABLE** **Guide D'Utilisation**



Modèle \_\_\_\_\_

Numéro de série: \_\_\_\_\_

Date d'achat : \_\_\_\_\_

**AP10000E REV00**

**P/N: 32082-00000-00**

**CONSERVEZ CE MANUEL POUR VOUS Y RÉFÉRER À L'AVENIR**

# Table des Matières

<b>Introduction.....</b>	<b>1</b>	<b>Entretien et Stockage.....</b>	<b>18</b>
<b>Sécurité.....</b>	<b>1</b>	Programme D'entretien.....	18
<b>Précautions Générales de Sécurité.....</b>	<b>2</b>	Entretien du Moteur.....	18
<b>Déballage du Générateur.....</b>	<b>7</b>	Vérification du Niveau D'huile Moteur.....	18
Pièces Incluses.....	7	Changer l'huile Moteur.....	19
<b>Assemblage.....</b>	<b>7</b>	Entretien des Bougies D'allumage.....	19
Installer le Kit de Roues.....	7	Entretien du Filtre à Air.....	20
Installation de la Jambe.....	8	Nettoyage du Pare-étincelles.....	21
Connexion du câble de la batterie.....	8	Dégagement de la Soupape.....	21
<b>Commandes et Caractéristiques.....</b>	<b>9</b>	Maintenance du Generateur.....	21
<b>Commandes et Caractéristiques.....</b>	<b>10</b>	Stockage.....	22
<b>Spécifications.....</b>	<b>11</b>	<b>Recherche de Pannes.....</b>	<b>23</b>
Ajouter de l'huile Moteur.....	12	<b>Schéma des Pièces et Liste des Pièces</b>	<b>24</b>
Arrêt en Cas de Manque D'huile.....	12	Diagramme des Pièces.....	24
Ajout de carburant.....	13	Liste des Pièces.....	25
Fonctionnement en Haute Altitude.....	14	Schéma du Circuit.....	26
Mise à la Terre.....	14	<b>Garantie.....</b>	<b>27</b>
Raccordement au Système Électrique d'un Bâtiment.....	14		
<b>Fonctionnement.....</b>	<b>15</b>		
Emplacement du Générateur.....	15		
Protection Contre les Surtensions.....	15		
Démarrage du Générateur.....	15		
Raccordement des Charges Électriques....	16		
L'arrêt du Moteur.....	17		
Arrêt en Cas de Manque D'huile.....	17		
Ne Pas Surcharger le Générate.....	17		

# INTRODUCTION

## Lisez attentivement ce manuel

### AVERTISSEMENT



Lire et comprendre complètement le manuel avant d'utiliser le produit. Le fait de ne pas comprendre complètement le manuel et le produit peut entraîner la mort ou des blessures graves.

Si vous ne comprenez pas une section de ce manuel, contactez le service clientèle au 1-855-888-3598, ou [www.a-ipower.com](http://www.a-ipower.com) pour les procédures de démarrage, d'utilisation et d'entretien. Le propriétaire est responsable de l'entretien approprié et de l'utilisation sûre de l'appareil. **CONSERVER CES INSTRUCTIONS** pour référence ultérieure. Ce manuel contient des instructions importantes qui doivent être suivies lors de la mise en place, du fonctionnement et de l'entretien de l'unité et de ses composants. Remettez toujours ce manuel à toute personne qui utilisera cet appareil.

Les informations contenues dans ce manuel sont exactes sur la base des produits fabriqués au moment de la publication. Le fabricant se réserve le droit d'effectuer des mises à jour techniques, des corrections et des révisions de produits à tout moment et sans préavis.

### AVERTISSEMENT

L'utilisation, l'entretien et la maintenance de cet équipement peuvent vous exposer à des produits chimiques, notamment les gaz d'échappement, le monoxyde de carbone, les phtalates et le plomb, qui sont connus dans l'État de Californie pour causer le cancer et des anomalies congénitales ou d'autres problèmes de reproduction. Pour minimiser l'exposition, évitez de respirer les gaz d'échappement et portez des gants ou lavez-vous fréquemment les mains lorsque vous entretenez cet équipement. Pour plus d'informations, consultez le site [www.P65warnings.ca.gov](http://www.P65warnings.ca.gov).

# SÉCURITÉ

Les mots DANGER, AVERTISSEMENT, ATTENTION et AVIS sont utilisés dans ce manuel pour souligner des informations importantes. Veillez à ce que la signification de ces informations de sécurité soit connue de toutes les personnes qui utilisent le générateur, en assurent l'entretien ou se trouvent à proximité.



Ce symbole d'alerte de sécurité apparaît avec la plupart des déclarations de sécurité. Il signifie attention, soyez vigilant, votre sécurité est en jeu ! Veuillez lire et respecter le message qui suit le symbole d'alerte de sécurité.

Le fabricant ne peut pas prévoir toutes les circonstances possibles qui pourraient impliquer un danger. Les avertissements contenus dans ce manuel et les étiquettes et autocollants apposés sur l'appareil ne sont donc pas exhaustifs. Si vous utilisez une procédure, une méthode de travail ou une technique d'exploitation que le fabricant ne recommande pas spécifiquement, vous devez vous assurer qu'elle est sans danger pour vous et les autres. Vous devez également vous assurer que la procédure, la méthode de travail ou la technique d'exploitation que vous choisissez ne rend pas le générateur dangereux.

## DÉFINITIONS ET SYMBOLES

### DANGER

indique un danger qui, s'il n'est pas évité, entraînera la mort ou des blessures graves

### AVERTISSEMENT

Indique un danger qui, s'il n'est pas évité, peut entraîner la mort ou des blessures graves.

### AVERTIR

Indique un danger qui, s'il n'est pas évité, pourrait entraîner des blessures mineures ou modérées.

### NOTIFICATION

Indique des informations considérées comme importantes, mais non liées à un danger (par exemple, des messages relatifs à des dommages matériels).



Risque  
d'asphyxie



Risque  
d'électrocution



Risque  
d'incendie



Risque  
d'explosion



Surface chaude.  
Ne pas toucher la surface.  
Risque de brûlure



Risque lié aux  
pièces mobiles



Retour de  
flamme



Manuel de l'opérateur

## PRÉCAUTIONS GÉNÉRALES DE SÉCURITÉ

### ⚠ DANGER

L'utilisation d'un générateur à l'intérieur peut vous tuer en quelques minutes. Les gaz d'échappement contiennent de l'oxyde de carbone, un gaz toxique que vous ne pouvez ni voir ni sentir.



NE JAMAIS utiliser à la maison ou dans des endroits partiellement fermés tels que les garages



Ne l'utiliser qu'à l'EXTÉRIEUR et loin des fenêtres, des portes et des événements.

Évitez les autres risques liés au générateur. LISEZ LE MANUEL AVANT D'UTILISER

- Faites fonctionner ce produit UNIQUEMENT à l'extérieur, loin des fenêtres, des portes et des bouches d'aération, afin de réduire le risque d'accumulation de gaz de monoxyde de carbone et son éventuelle aspiration vers les espaces occupés. NE faites PAS fonctionner ce produit à l'intérieur des maisons, garages, sous-sols, vides sanitaires, hangars ou de tout autre espace partiellement fermé, même si vous utilisez des ventilateurs ou vous ventilez en ouvrant les portes et les fenêtres. Le monoxyde de carbone peut rapidement s'accumuler dans ces espaces et peut persister pendant des heures, même après que le produit se soit éteint.

### ⚠ DANGER

#### RISQUE DE GAZ TOXIQUE



Les gaz d'échappement des moteurs contiennent du monoxyde de carbone, un gaz toxique qui peut vous tuer en quelques minutes. Vous NE POUVEZ PAS le sentir, le voir ou le goûter. Même si vous ne sentez pas les gaz d'échappement, vous pouvez être exposé au monoxyde de carbone.

- TOUJOURS Placez ce produit sous le vent et orientez l'échappement du moteur loin des espaces occupés. Si vous commencez à vous sentir malade, étourdi ou faible pendant l'utilisation de ce produit, éteignez-le et allez à l'air frais TOUT DE SUITE. Consultez un médecin. Vous pouvez avoir une intoxication au monoxyde de carbone.

### ⚠ DANGER



Le système d'échappement doit être correctement entretenu. Ne pas altérer ou modifier le système d'échappement au point de le rendre dangereux ou non conforme aux codes et/ou normes locales. Le non-respect de cette consigne entraînera la mort ou des blessures graves.

### ⚠ AVERTISSEMENT

- Si vous commencez à vous sentir malade, étourdi ou faible pendant l'utilisation du générateur portable, vous pouvez être victime d'une intoxication au monoxyde de carbone. Sortez immédiatement à l'air frais et appelez le 911 pour une assistance médicale d'urgence. Des niveaux très élevés de CO peuvent rapidement faire perdre conscience aux victimes avant qu'elles ne puissent se sauver. N'essayez PAS d'éteindre le générateur avant de passer à l'air libre. Entrer dans un espace clos où un générateur est ou a été en marche peut vous exposer à un risque accru d'empoisonnement au CO.

### ⚠ AVERTISSEMENT

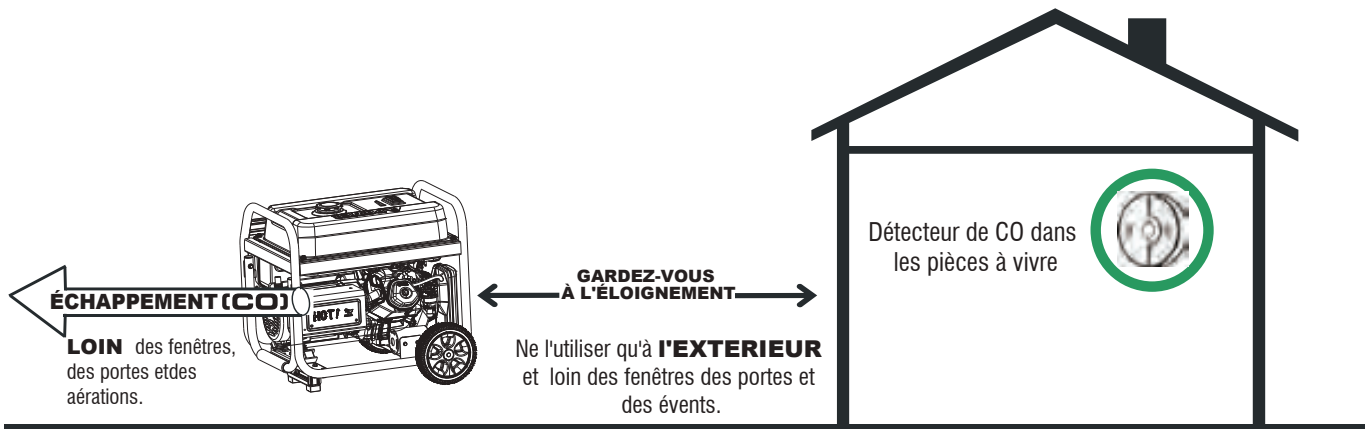


Installez toujours l'avertisseur de monoxyde de carbone à piles à l'intérieur et installé conformément aux instructions du fabricant.

## UTILISATION CORRECTE

### Exemple d'emplacement pour réduire le risque d'intoxication au monoxyde de carbone

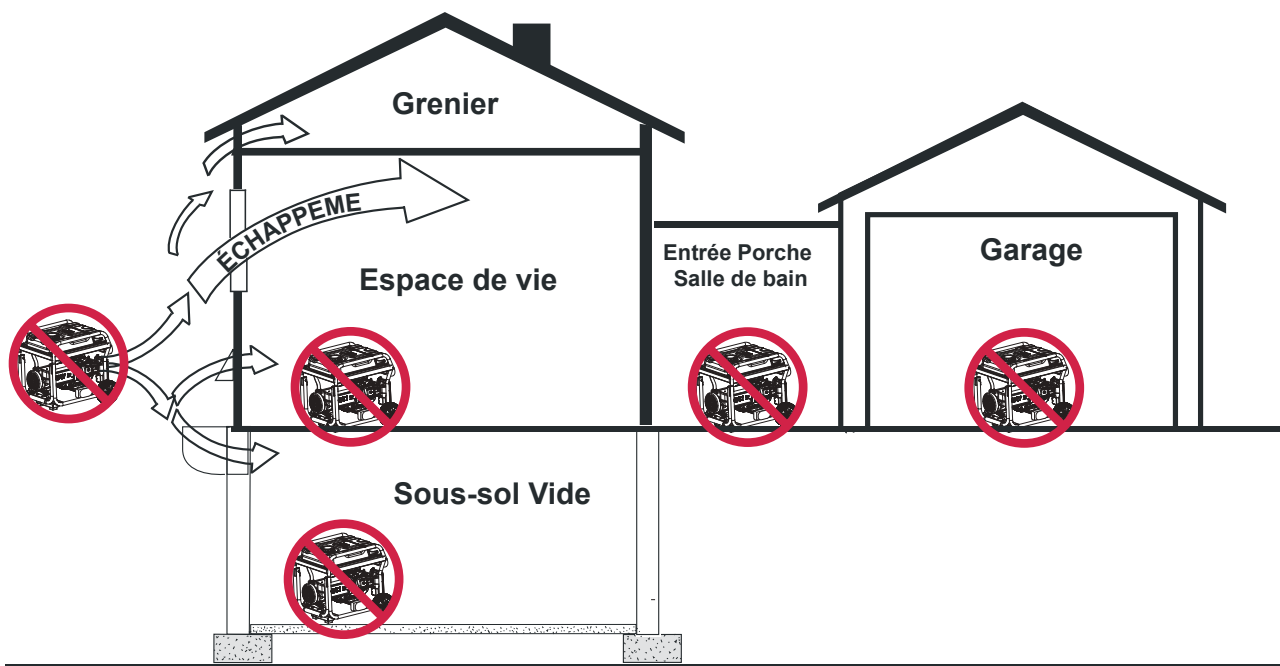
- Utiliser **UNIQUEMENT** à l'extérieur et sous le vent, loin des fenêtres, des portes et des aérations.
- Diriger l'échappement loin des espaces occupés.



## UTILISATION INCORRECTE

### Ne pas utiliser dans l'un des endroits suivants :

- Près d'une porte, d'une fenêtre ou d'un évent
- Garage
- Sous-sol
- Vide sanitaire
- Espace de vie
- Grenier
- Voie d'accès
- Porch
- Vestibule



## AVERTISSEMENT



Le rebond du cordon de démarreur (rétraction rapide) tire la main et le bras vers le moteur plus vite que vous ne pouvez le lâcher, ce qui peut provoquer des os cassés, des fractures, des contusions ou des entorses et entraîner des blessures graves.

- Lors du démarrage du moteur, tirez lentement sur le cordon jusqu'à ce que vous sentiez une résistance, puis tirez rapidement pour éviter tout recul.
- **NE JAMAIS** démarrer ou arrêter le moteur avec des appareils électriques branchés et allumés.

## DANGER



Le carburant et ses vapeurs sont extrêmement inflammables et explosifs et peuvent provoquer des brûlures, un incendie ou une explosion entraînant la mort ou des blessures graves et/ou des dommages matériels

## DANGER



**NE PAS** remplir excessivement le réservoir. Laissez de l'espace pour l'expansion du carburant. En cas de déversement de carburant attendez qu'il s'évapore avant de démarrer le moteur. Le non-respect de cette consigne entraînera la mort et des blessures graves.

### LORS DE L'AJOUT OU DE LA VIDANGE DE CARBURANT

- Coupez le moteur du générateur et laissez-le refroidir pendant au moins 2 minutes avant de retirer le bouchon du réservoir. Desserrez lentement le bouchon pour relâcher la pression dans le réservoir.
- Remplir ou vidanger le réservoir de carburant à l'extérieur.
- **NE PAS** remplir excessivement le réservoir. Laissez de l'espace pour l'expansion du carburant.
- En cas de déversement de carburant attendez qu'il s'évapore avant de démarrer le moteur.

- Maintenez le carburant à l'écart des étincelles, des flammes nues, des veilleuses, de la chaleur et d'autres sources d'inflammation.
- Vérifiez fréquemment les conduites de carburant, le réservoir, le bouchon et les raccords pour détecter les fissures ou les fuites. Remplacez-les si nécessaire
- **NE PAS** allumer une cigarette ou fumer.

### LORS DU DÉMARRAGE DE L'ÉQUIPEMENT

- Assurez-vous que la bougie d'allumage, le silencieux, le bouchon de carburant et le filtre à air sont en place
- **NE PAS** faire tourner le moteur avec la bougie retirée.

### LORS DE L'UTILISATION D'UN ÉQUIPEMENT

- **NE PAS** faire fonctionner ce produit à l'intérieur d'un bâtiment, d'un abri de voiture, d'un porche, d'un équipement mobile, d'applications marines ou d'une enceinte.
- **NE PAS** incliner le moteur ou l'équipement selon un angle qui provoque un déversement de carburant.
- **NE PAS** arrêter le moteur en déplaçant la commande du starter en position « Démarrage ».

### LORS DU TRANSPORT, DU DÉPLACEMENT OU DE LA RÉPARATION DE L'ÉQUIPEMENT

- Transporter/déplacer/réparer avec le réservoir de carburant VIDE ou avec le robinet d'arrêt du carburant fermé.
- **NE PAS** incliner le moteur ou l'équipement selon un angle qui provoque un déversement de carburant.
- Débranchez le fil de la bougie d'allumage.

### LORS DU STOCKAGE DE CARBURANT OU D'ÉQUIPEMENT AVEC DU CARBURANT DANS LE RÉSERVOIR

- Stockez à l'écart des fours, des poêles, des chauffe-eau, des séchoirs à linge ou d'autres appareils dotés d'une veilleuse ou d'une autre source d'allumage, car ils pourraient enflammer les vapeurs de carburant.

## DANGER



La tension du générateur peut provoquer une électrocution ou des brûlures et entraîner la mort ou des blessures graves.



## DANGER



Ne jamais utiliser le générateur dans des endroits humides ou mouillés. N'exposez jamais le générateur à la pluie, à la neige, aux projections d'eau pendant son

## DANGER



Le contact avec les bornes, les fils nus et les connexions électriques lorsque le générateur est en marche entraînera la mort ou des blessures graves.

## DANGER



Risque d'incendie et d'électrocution. Ne pas raccorder au système électrique d'un bâtiment à moins que le générateur et le commutateur de transfert aient été correctement installés et que la sortie électrique ait été vérifiée par un électricien qualifié. La connexion doit isoler le générateur de l'alimentation électrique du service public et doit être conforme à toutes les lois et à tous les codes électriques applicables.

- Utilisez un disjoncteur de fuite à la terre (GFCI) dans toute zone humide ou hautement conductrice, telle qu'une terrasse métallique ou un ouvrage en acier.
- **NE PAS** utiliser le générateur avec des cordons électriques usés, effilochés, dénudés ou autrement endommagés
- **NE PAS** permettre à des personnes non qualifiées ou à des enfants de faire fonctionner ou d'entretenir le générateur.

## AVERTISSEMENT



La chaleur/les gaz d'échappement pourraient enflammer les combustibles, les structures ou endommager le réservoir de carburant en provoquant un incendie, entraînant la mort ou des blessures graves.

Tout contact avec la zone du silencieux peut provoquer des brûlures et entraîner des blessures graves.

## AVERTISSEMENT



vous utilisez la machine, ne touchez pas les surfaces chaudes. Maintenez la machine à l'écart des combustibles pendant son utilisation. Les surfaces chaudes pourraient entraîner des brûlures graves ou un incendie.

- Laisser l'équipement refroidir avant de le toucher.
- Les pièces de rechange doivent être les mêmes et installées dans la même position que les pièces d'origine.
- L'utilisation ou le fonctionnement du moteur sur un terrain couvert de forêts, de broussailles ou d'herbe constitue une violation du California Public Resource Code, section 4442, à moins que le système d'échappement ne soit équipé d'un pare-étincelles, tel que défini dans la section 4442, maintenu en bon état de fonctionnement. D'autres États ou juridictions fédérales peuvent avoir des lois similaires. Contactez le fabricant de l'équipement d'origine, le détaillant ou le concessionnaire pour obtenir un pare-étincelles conçu pour le système d'échappement installé sur ce moteur.

## AVERTISSEMENT



Une étincelle involontaire pourrait provoquer un incendie ou un choc électrique entraînant la mort ou des blessures graves.

### **LORS DU RÉGLAGE OU DES RÉPARATIONS DE VOTRE GÉNÉRATEUR.**

- Débranchez le fil de la bougie de la bougie et placez le fil à un endroit où il ne peut pas entrer en contact avec la bougie.

### **LORS DU TEST DE L'ÉTINCELLE DU MOTEUR**

- Utilisez un testeur de bougie homologué.
- **NE PAS** vérifier l'étincelle avec la bougie retirée.

## AVERTISSEMENT



Le démarreur et les autres pièces rotatives risquent de se coincer les mains, les cheveux, les vêtements ou les accessoires et de provoquer des blessures graves.

- **NE PAS** porter de vêtements amples, de bijoux ou tout ce qui pourrait être pris dans le démarreur ou d'autres pièces rotatives

### **AVERTIR**

Des vitesses de fonctionnement trop élevées peuvent entraîner des blessures légères. Des vitesses de fonctionnement trop faibles imposent une charge importante

- **NE PAS** altérer le ressort du régulateur, les liaisons ou d'autres pièces pour augmenter la vitesse du moteur. Le générateur fournit une fréquence et une tension nominales correctes lorsqu'il fonctionne à vitesse régulée.
- **NE PAS** modifier le générateur de quelque façon que ce soit.

### **NOTIFICATION**

Le dépassement de la capacité en watts/ampères du générateur peut endommager le générateur et/ou les appareils électriques qui y sont connectés.

- **NE PAS** dépasser la capacité en watts et en ampérage du générateur
- Démarrez le générateur et laissez le moteur se stabiliser avant de brancher des charges électriques.
- Connectez les charges électriques en position OFF puis mettez-les sous tension pour le fonctionnement
- Mettez les charges électriques à l'arrêt et débranchez-les du générateur avant de l'arrêter.

### **NOTIFICATION**

Un traitement inapproprié du générateur pourrait l'endommager et réduire sa durée de vie.

- N'utilisez le générateur que pour les usages prévus.
- Si vous avez des questions sur l'utilisation prévue, demandez au revendeur ou au centre de service local.
- Ne faites fonctionner le générateur que sur des surfaces planes.
- **NE PAS** exposer le générateur à une humidité excessive, à la poussière, à la saleté ou à des vapeurs corrosives.
- N'insérez PAS d'objets dans les fentes de refroidissement
- Si les appareils connectés surchauffent, éteignez-les et débranchez-les du générateur

- Arrêtez le générateur si :
  - La production électrique est perdue.
  - L'équipement produit des étincelles, fume ou émet des flammes.
  - L'appareil vibre excessivement

### **AVERTISSEMENT**

**Utilisations médicales et de maintien des fonctions vitales.**

- En cas d'urgence, appelez immédiatement le 911.
- N'utilisez JAMAIS ce produit pour alimenter des dispositifs de maintien des fonctions vitales ou des appareils de maintien des fonctions vitales.
- N'utilisez JAMAIS ce produit pour alimenter des dispositifs médicaux ou des appareils médicaux.
- Informez immédiatement votre fournisseur d'électricité si vous ou une personne de votre foyer dépendez d'un équipement électrique pour vivre.
- Informez immédiatement votre fournisseur d'électricité si une coupure de courant risque de provoquer une urgence médicale pour vous ou une personne de votre foyer.

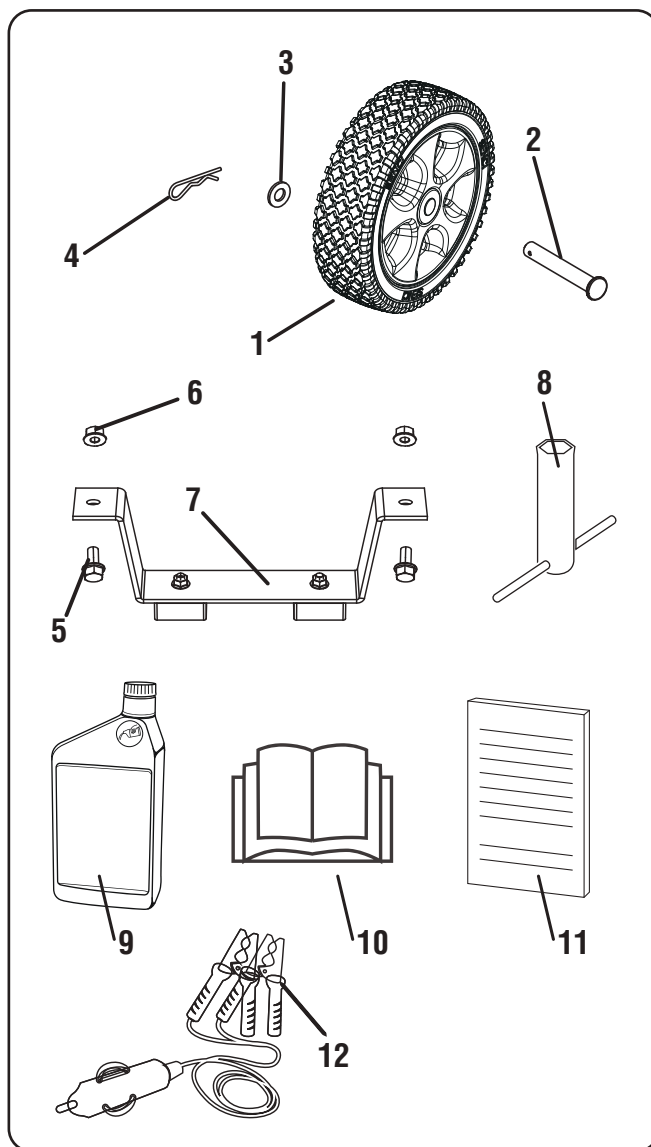
# DÉBALLAGE DU GÉNÉRATEUR

- Ouvrez complètement le carton. Retirez et vérifiez le contenu du carton avant l'assemblage. Votre générateur est livré avec les éléments suivants.
- Appelez notre service clientèle au 1-855-888-3598 en indiquant le modèle et le numéro de série de l'appareil pour tout article manquant.
- Inscrivez le modèle, le numéro de série et la date d'achat sur la couverture avant de ce manuel pour vos propres archives.

## Pièces incluses

Votre générateur à essence est livré avec les pièces suivantes:

NO.	Article Description	Qty
1	Roues (9,0" Sans Crevaision)	2
2	Goupille d'essieu	2
3	Rondelle plate	2
4	Clavette	2
5	Boulon de bride M8x16	2
6	Contre-écrou de bride M8	2
7	Pied de support avec supports de Vibration	1
8	Clé à bougie	1
9	Bouteille d'huile (1,0L)	1
10	Manuel du propriétaire	1
11	Guide de démarrage rapide	1
12	Câbles DC de charge 12V	1



# ASSEMBLAGE

Votre générateur nécessite un certain assemblage avant d'être utilisé.

## ⚠ AVERTIR

Pour assembler le générateur, il faut soulever l'unité. Faites-vous toujours aider lorsque vous soulevez le générateur.

## ⚠ AVERTISSEMENT

Ne branchez pas et ne mettez pas en marche le générateur avant qu'il ne soit complètement assemblé selon les instructions. Le fait de ne pas comprendre complètement le manuel et le produit peut entraîner la mort ou des blessures graves.

Appelez notre service à la clientèle au 1-855-888-3598 pour tout problème ou préoccupation concernant l'assemblage. Veuillez avoir le modèle et le numéro de série à portée de main.

## Installer le kit de roues

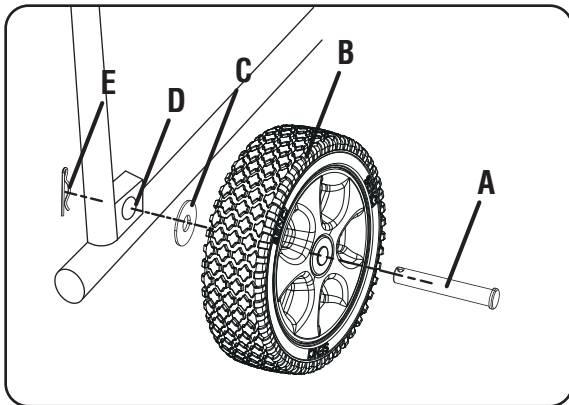
### REMARQUE:

Les roues ne sont pas destinées à être utilisées sur la route.

- 1 - Placez le générateur sur une surface plane.
- 2 - Basculez le générateur sur un morceau de carton ou autre matériau souple pour protéger la peinture du cadre et empêcher le générateur de glisser.

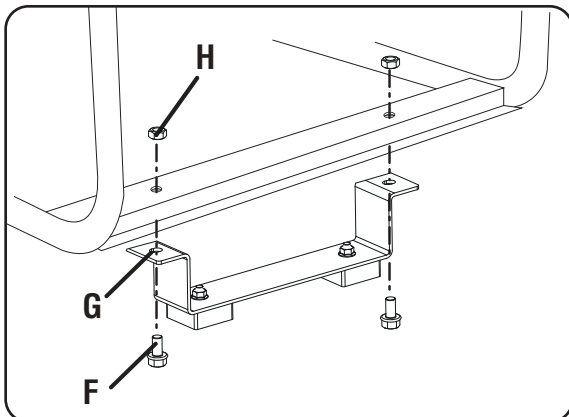
# ASSEMBLAGE

- 3 - Faites glisser la goupille d'essieu (A) à travers la roue (B), la rondelle plate (C) et le trou de l'essieu du cadre du générateur (D).
- 4 - Fixez le tout avec la goupille fendue (E). Répétez l'opération du côté opposé.



## Installation de la jambe

- 5- Insérez les boulons (F) à travers la jambe (G) et les trous du châssis du générateur comme indiqué.
- 6 - Serrez les boulons (F) et les écrous (H) sur le cadre.



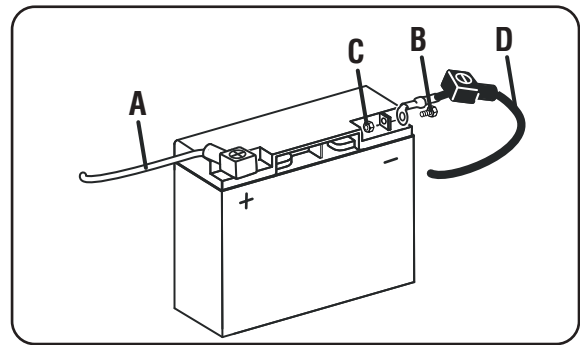
## REMARQUE:

La poignée est déjà assemblée sur l'unité.

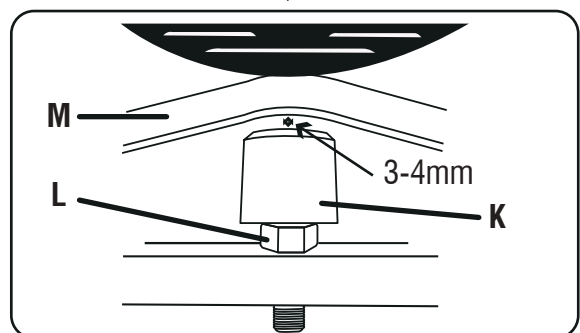
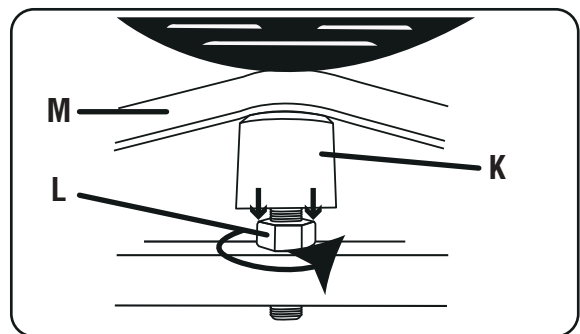
## Connexion du câble de la batterie

**REMARQUE:** Le générateur est équipé du câble positif (A) (avec gaine rouge) déjà fixé.

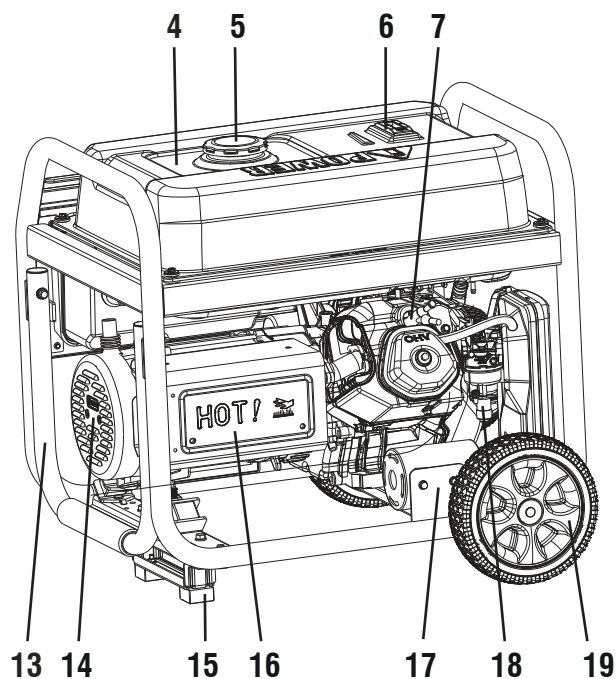
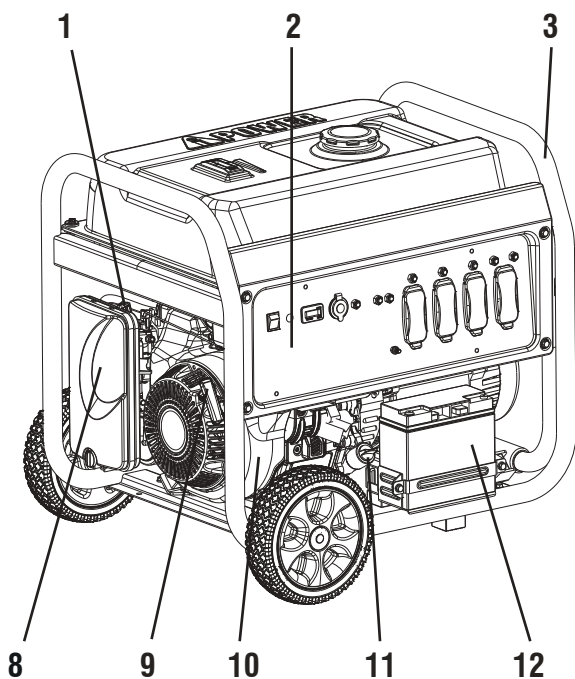
1. Vérifiez que le câble positif (+) de la batterie (A) avec la gaine rouge est bien serré sur la borne positive (+) de la batterie. Assurez-vous que la gaine est sur la borne de la batterie.
2. Retirez le boulon (B) (M6x12) et l'écrou (C) de la borne négative (-) de la batterie.
3. Localisez le câble négatif (-) de la batterie (D) avec la gaine noire et fixez-le à la borne négative (-) de la batterie. Serrez le câble avec le boulon (B) et l'écrou (C). Couvrez la borne avec la gaine noire.



**IMPORTANT:** Avant d'utiliser le générateur, le siège amortisseur (K) doit être réglé pour le dégagement. Desserrez le contre-écrou (L) et réglez le siège amortisseur (K) de sorte qu'il y ait un espace d'environ 3-4 mm entre le haut du siège et le bas du support de l'alternateur (M). Resserrez l'écrou de blocage après le réglage.



# COMMANDES ET CARACTÉRISTIQUES



**1 - Levier de Starter**

**2 - Panneau de Contrôle**

**3 - Cadre**

**4 - Réservoir de Carburant**

**5 - Bouchon de Carburant**

**6 - Jauge de Carburant**

**7 - Bougie D'allumage**

**8 - Filtre à Air**

**9 - Démarreur à Rappel**

**10 - Moteur**

**11 - Bouchon de Remplissage D'huile/Jauge**

**12 - Batterie**

**13 - Poignée**

**14 - Couvercle de L'alternateur**

**15 - Jambe**

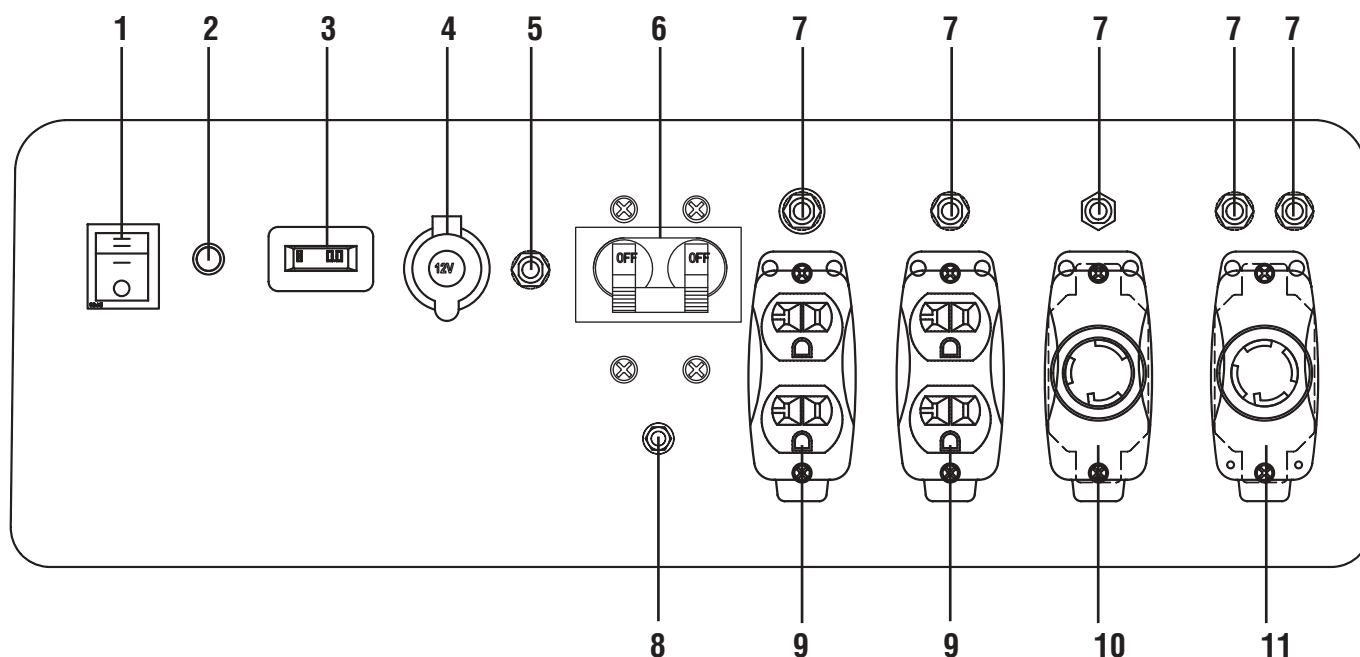
**16 - Silencieux/Pare-étincelles**

**17 - Cartouche de carbone**

**18 - Carburateur**

**19 - Roue**

# COMMANDES ET CARACTÉRISTIQUES



- 1. Interrupteur de commande du moteur:** pour démarrer le moteur manuellement, placez l'interrupteur en position ON et tirez sur le démarreur à rappel. Pour démarrer le moteur avec un démarrage électrique, appuyez et maintenez l'interrupteur sur la position START et le moteur démarrera et tentera de démarrer. Lorsque le moteur démarre, relâchez l'interrupteur en position ON.
- 2. Indicateur de niveau d'huile bas:** le témoin s'allume lorsque le niveau d'huile du moteur est bas. Ajouter l'huile.
- 3. Compteur horaire :** affiche et enregistre le nombre d'heures de fonctionnement de votre générateur (jusqu'à 9 999,9).
- 4. 12V DC, Outlet (Automotive):** Fournit une alimentation 12 volts DC jusqu'à 8,3 am.
- 5. Disjoncteur (CC):** Protège le générateur contre les surcharges électriques.
- 6. Disjoncteur principal :** Le disjoncteur principal contrôle la sortie totale de toutes les prises pour protéger le générateur contre les surcharges ou les courts-circuits.
- 7. Disjoncteur (AC):** Protège le générateur contre les surcharges électriques.
- 8. Borne de terre:** La borne de terre est utilisée pour mettre le générateur à la terre.
- 9. Prises 120V CA, 20A Duplex, Monophasé, 60 Hz (NEMA 5-20R) :** Chaque prise est capable de transporter un maximum de 20 ampères sur une seule prise ou une combinaison des deux prises.
- 10. Prise 120V CA, 30A Twist Lock, monophasée, prise 60 Hz (NEMA L5-30R) :** Cette prise peut fournir une sortie de 120 volts jusqu'à 30 ampères.
- 11. Prise 120/240V CA, 30A Twist Lock, monophasée, 60 Hz (NEMA L14-30R):** Cette prise peut fournir une sortie 120 volts ou 240 volts jusqu'à 30 ampères.

**REMARQUE:** La puissance totale tirée de toutes les prises ne doit pas dépasser la valeur nominale de la plaque signalétique.



# SPÉCIFICATIONS

## Spécifications du générateur

<b>Modèle</b>	AP10000E (10001-03269-00)
<b>Watts de démarrage</b>	10000W
<b>Watts en fonctionnement</b>	8000W
<b>Tension nominale CA</b>	120/240V
<b>Tension nominale en CC</b>	12V
<b>Fréquence nominale</b>	60HZ
<b>Phase</b>	Célibataire
<b>Système de mise à la terre (CA)</b>	Neutre collé à la monture
<b>Type de moteur</b>	Monocylindre, 4 temps, OHV, refroidi par air
<b>Cylindrée du moteur</b>	420cc
<b>Système de démarrage</b>	Rappel/électrique
<b>Arrêt en cas de manque d'huile</b>	Oui
<b>Type d'huile</b>	10W-30
<b>Capacité d'huile</b>	33.8 fl.oz (1.0L)
<b>Type de bougie d'allumage d'origine</b>	F7RTC
<b>Type de bougie d'allumage de remplacement</b>	NGK BPR7ES or Champion RN9YC
<b>Écart entre les bougies d'allumage</b>	0.028~0.031inch (0.7~0.8mm)
<b>Jeu d'admission des soupapes</b>	0.004~0.006inch (0.1~0.15mm)
<b>Jeu d'échappement des soupapes</b>	0.006~0.008inch (0.15~0.2mm)
<b>Système de régulation de la tension</b>	AVR
<b>Système d'excitation de l'alternateur</b>	Brossé
<b>Distorsion harmonique totale (DHT)</b>	Standard
<b>Capacité du réservoir de carburant</b>	10.5Gal (40L)
<b>Type de carburant</b>	Essence
<b>Température ambiante maximale</b>	104°F (40°C)
<b>Spécifications de la batterie</b>	12V, 12Ah
<b>certifications</b>	Conforme à la norme EPA-CARB

## NOTIFICATION

Ce produit est conçu et évalué pour un fonctionnement continu à des températures ambiantes allant jusqu'à 40°C (104°F). Si nécessaire, ce produit peut être utilisé à des températures comprises entre 5°F(15°C) et 122°F (50°C) pendant de courtes périodes. Si le produit est exposé à des températures en dehors de cette plage pendant le stockage, il doit être ramené dans cette plage avant d'être utilisé. Ce produit doit toujours être utilisé à l'extérieur, dans un endroit bien ventilé et loin des portes, fenêtres et autres orifices de ventilation.

La puissance et le courant maximum sont soumis et limités par des facteurs tels que la teneur en BTU du carburant, la température ambiante, l'altitude, les conditions du moteur, etc. La puissance maximale diminue d'environ 3,5 % à chaque fois que l'on s'élève de 1 000 pieds au-dessus du niveau de la mer. Elle diminue également d'environ 1 % à chaque fois que la température ambiante dépasse de 10°F(6°C) 60°F( 16°C).



## Ajouter de l'huile moteur

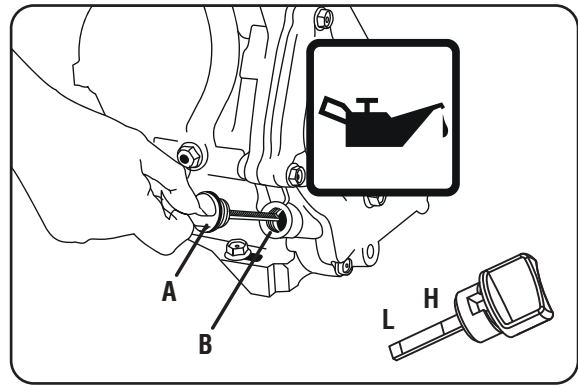
Nous recommandons l'utilisation d'une huile SAE 10W-30 APISJ pour de meilleures performances. D'autres huiles détergentes de haute qualité (APISJ ou supérieure) sont acceptables. N'utilisez pas d'additifs spéciaux. La température ambiante détermine la viscosité appropriée de l'huile pour le moteur. Utilisez le tableau pour sélectionner l'huile appropriée pour la plage de température extérieure prévue.

### NOTIFICATION

N'essayez pas de faire tourner ou de démarrer le moteur avant qu'il n'ait été correctement rempli avec le type et la quantité d'huile recommandés. Tout dommage dû à un fonctionnement sans huile annulera votre garantie.

Type D'huile Moteur Recommandé	
10W-30	→
5W-30	←
10W-40	→
Complètement Synthétique 5W-30	←
°F	-20 0 20 40 60 80 100 120
°C	-28.9 -17.8 -6.7 4.4 15.6 26.7 37.8 48.9
Température Ambiante	

1. Placez le générateur sur une surface plane et de niveau.
2. Nettoyez la zone autour du remplissage d'huile et retirez le bouchon de remplissage d'huile jaune/jauge d'huile (A).
3. Essuyez la jauge pour la nettoyer.
4. À l'aide d'un entonnoir à huile, versez lentement le contenu de la bouteille d'huile fournie dans le goulot de remplissage d'huile (B) jusqu'au repère « H » de la jauge. Veillez à ne pas trop remplir. Un remplissage excessif d'huile pourrait empêcher le moteur de démarrer ou le rendre difficile à démarrer.
5. Remplacez le bouchon de remplissage d'huile/la jauge (A) et serrez-le à fond.
6. Le niveau d'huile doit être vérifié avant chaque utilisation ou au moins toutes les 8 heures de fonctionnement. Maintenez le niveau d'huile.



Le moteur est équipé d'un dispositif d'arrêt en cas de niveau d'huile bas et s'arrête lorsque le niveau d'huile dans le carter descend en dessous du seuil.

### NOTIFICATION

Nous considérons les 5 premières heures de fonctionnement comme la période de rodage de l'appareil. Pendant la période de rodage, restez à 50% ou moins de la puissance nominale de fonctionnement et variez la charge de temps en temps pour permettre aux enroulements du stator de chauffer et de refroidir. L'ajustement de la charge fera également varier la vitesse du moteur et aidera à faire reposer les segments de piston.

### Arrêt en cas de manque d'huile

L'unité est équipée d'un dispositif d'arrêt en cas de faible niveau d'huile. Si le niveau d'huile devient inférieur à celui requis, le capteur activera un dispositif d'avertissement ou arrêtera le moteur. Si le générateur s'arrête et que le niveau d'huile est conforme aux spécifications, vérifiez si le générateur est assis à un angle qui force l'huile à se déplacer. Placez-la sur une surface plane pour corriger ce problème. Si le moteur ne démarre pas, le niveau d'huile n'est peut-être pas suffisant pour désactiver le commutateur de bas niveau d'huile. Assurez-vous que le carter est complètement rempli d'huile.

## Ajout de carburant

**⚠ DANGER**



Le carburant et ses vapeurs sont extrêmement inflammables et explosifs. Ajoutez le carburant dans un endroit bien ventilé. Éloignez les étincelles, les flammes nues et autres sources d'inflammation. Le non-respect de cette consigne entraînera la mort et des blessures graves.

**⚠ DANGER**



**NE PAS** remplir excessivement le réservoir. Laissez de l'espace pour l'expansion du carburant. En cas de déversement de carburant attendez qu'il s'évapore avant de démarrer le moteur. Le non-respect de cette consigne entraînera la mort et des blessures graves.

Le carburant doit répondre aux exigences suivantes:

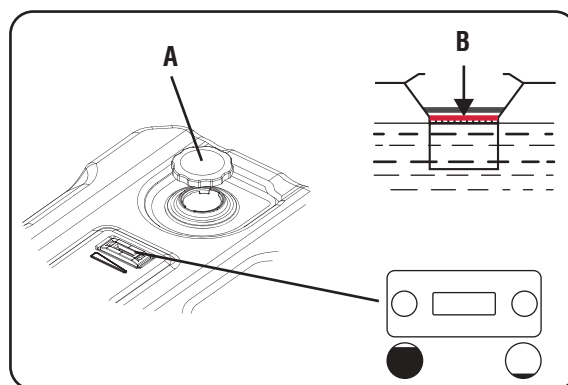
- De l'essence propre, fraîche et sans plomb.
- Utilisez de l'essence ordinaire SANS plomb avec le moteur du générateur avec un minimum de 87 octane / 87 AKI (91 RON). N'utilisez pas d'E85 ou d'E15. Pour une utilisation en haute altitude, voir « Fonctionnement en haute altitude ».

- **NE PAS** mélanger l'huile à l'essence.
- **NE PAS** modifier le moteur pour qu'il fonctionne avec des carburants alternatifs.

### LORS DE L'AJOUT DE CARBURANT

- Remplissez le réservoir de carburant à l'extérieur.
- **NE PAS** remplir excessivement le réservoir. Laissez de l'espace pour l'expansion du carburant. Si le réservoir est trop rempli, le carburant peut déborder sur un moteur chaud et provoquer un incendie ou une explosion.
- En cas de déversement de carburant, attendez qu'il s'évapore avant de démarrer le moteur.
- Maintenez le carburant à l'écart des étincelles, des flammes nues, des veilleuses, de la chaleur et d'autres sources d'inflammation.

- Vérifiez fréquemment l'absence de fissures ou de fuites dans les conduites de carburant, le réservoir, le bouchon et les raccords. Remplacez-les si nécessaire.
- N'allumez PAS de cigarette et ne fumez pas lorsque vous remplissez le réservoir de carburant.



1. Retirez lentement le bouchon du réservoir (A).
2. Ajoutez lentement du carburant sans plomb dans le réservoir de carburant. Veillez à ne pas remplir au-dessus de l'indicateur rouge de niveau de carburant (B). Cela permet de laisser un espace suffisant pour l'expansion du carburant.
3. Installez le bouchon du réservoir et laissez s'évaporer tout carburant déversé avant de démarrer le moteur.

### **⚠ NOTIFICATION**

Il est important d'éviter la formation de dépôts de gomme dans les pièces du système d'alimentation en carburant telles que le carburateur, le tuyau d'alimentation ou le réservoir pendant le stockage. Les carburants mélangés à de l'alcool (appelés gasohol, éthanol ou méthanol) peuvent attirer l'humidité, ce qui entraîne la séparation et la formation d'acides pendant le stockage. Les gaz acides peuvent endommager le circuit de carburant d'un moteur pendant le stockage. Pour éviter les problèmes de moteur, le système de carburant doit être vidé avant un stockage de 30 jours ou plus. Voir la section « Stockage à long terme ». N'utilisez jamais de produits nettoyants pour moteur ou carburateur dans le réservoir de carburant, car cela pourrait causer des dommages permanents.

## Fonctionnement en haute altitude

À des altitudes supérieures à 5 000 pieds (1 524 mètres), une essence d'un indice d'octane minimum de 85 est acceptable. La puissance du moteur et la sortie du générateur seront réduites d'environ 3,5% pour chaque 1000 pieds (305 m) d'élévation au-dessus du niveau de la mer. L'altitude élevée peut entraîner des difficultés de démarrage, une augmentation de la consommation de carburant et un encrassement des bougies. Pour fonctionner en haute altitude, A-iPower peut fournir un jet principal de carburateur haute altitude. Le gicleur principal alternatif et les instructions d'installation peuvent être obtenus en contactant le service clientèle.

### NOTIFICATION

L'utilisation d'un gicleur principal alternatif à des altitudes inférieures à l'altitude minimale recommandée peut endommager le moteur. Pour un fonctionnement à des altitudes inférieures, le gicleur principal standard fourni doit être utilisé. L'utilisation du moteur avec un gicleur principal incorrect peut augmenter les émissions de gaz d'échappement, la consommation de carburant et réduire les performances.

## Mise à la terre

### AVERTISSEMENT



Risque d'électrocution. Le fait de ne pas mettre correctement à la terre le générateur peut entraîner un choc électrique.

L'électricité nationale exige que votre générateur doit être connecté correctement à une terre appropriée pour aider à prévenir les chocs électriques.

Le générateur dispose d'une mise à la terre du système qui relie les composants du châssis du générateur aux bornes de mise à la terre des prises de sortie CA. Il peut y avoir des règlements fédéraux ou d'État, des codes locaux ou des ordonnances qui s'appliquent à l'utilisation prévue du générateur.

Consultez un électricien qualifié, un inspecteur en électricité ou l'agence locale compétente. Ce générateur n'est pas destiné à être utilisé sur un chantier de construction ou une activité similaire telle que définie par la section 590.6 de la norme NFPA 70-2020 (NEC).

## Raccordement au système électrique d'un bâtiment

Les connexions au système électrique de votre maison doivent utiliser un commutateur de transfert homologué installé par un électricien agréé. Le raccordement doit isoler l'alimentation du générateur de celle du service public et être conforme à toutes les lois et à tous les codes électriques applicables.

# FONCTIONNEMENT



## Emplacement du Générateur

### ⚠ AVERTISSEMENT

Assurez-vous d'examiner chaque avertissement afin d'éviter tout risque d'incendie.

**⚠ DANGER**

L'utilisation d'un générateur à l'intérieur peut vous tuer en quelques minutes. Les gaz d'échappement contiennent de l'oxyde de carbone, un gaz toxique que vous ne pouvez ni voir ni sentir.

 <b>NE JAMAIS</b> utiliser à la maison ou dans des endroits partiellement fermés tels que les garages	 Ne l'utiliser qu'à l'EXTERIEUR et loin des fenêtres, des portes et des événements.
---	---

Évitez les autres risques liés au générateur. LISEZ LE MANUEL AVANT D'UTILISER

### ⚠ DANGER



Ne jamais utiliser le générateur dans des endroits humides ou mouillés. N'exposez jamais le générateur à la pluie, à la neige, à un jet d'eau ou à de l'eau stagnante pendant son utilisation. Protégez le générateur de toutes les conditions météorologiques dangereuses. L'humidité, ou la glace peuvent provoquer un court-circuit ou un autre dysfonctionnement du circuit électrique. Le contact de l'eau avec une source d'alimentation, s'il n'est pas évité, entraînera la mort ou des blessures graves.

- Veillez à ce que la zone soit exempte de matières inflammables ou d'autres matières dangereuses.
- Choisissez un emplacement sec, bien ventilé et protégé des intempéries
- Maintenez le tuyau d'échappement à l'écart de tout objet étranger.
- Maintenez le générateur à l'écart des flammes nues
- Gardez le générateur sur une surface stable et de niveau.

Ne bloquez pas les orifices d'aération du générateur avec du papier ou d'autres matériaux

### Protection contre les surtensions

Les appareils électroniques, y compris les ordinateurs et de nombreux appareils programmables, utilisent des composants conçus pour fonctionner dans une plage de tension étroite et peuvent être affectés par des fluctuations de tension momentanées. Bien qu'il n'y ait aucun moyen d'empêcher les fluctuations de tension, vous pouvez prendre des mesures pour protéger les équipements électroniques sensibles.

Installez des parasurtenseurs enfichables homologués UL1449 et CSA sur les prises alimentant votre équipement sensible.

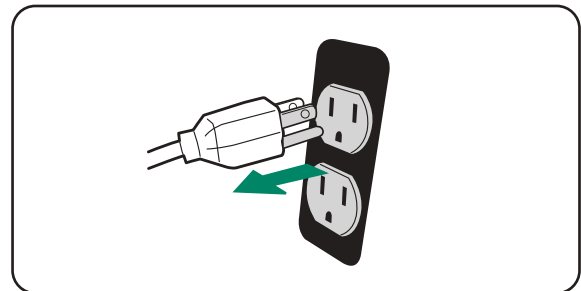
Les supprimeurs de surtension existent en version à une ou plusieurs sorties. Ils sont conçus pour protéger contre pratiquement toutes les fluctuations de tension de courte durée.

### DÉMARRAGE DU GÉNÉRATEUR

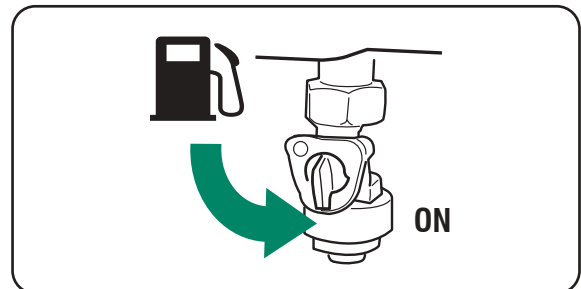
1. Avant de démarrer le générateur, vérifiez qu'il n'y a pas de pièces desserrées ou manquantes et qu'il n'y a pas eu de dommages pendant le transport.
2. Vérifiez le niveau d'huile et le carburant.



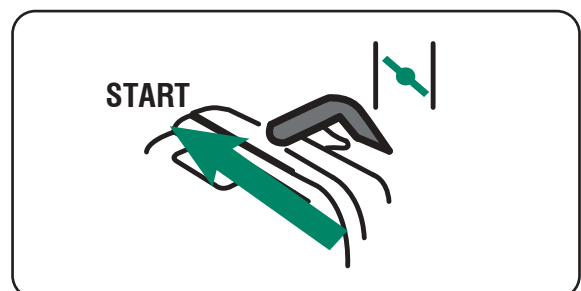
3. Débranchez toutes les charges électriques du générateur. Ne démarrez ou n'arrêtez jamais le générateur lorsque des appareils électriques sont branchés ou allumés.



4. Tournez le robinet de carburant sur la position « ON ».



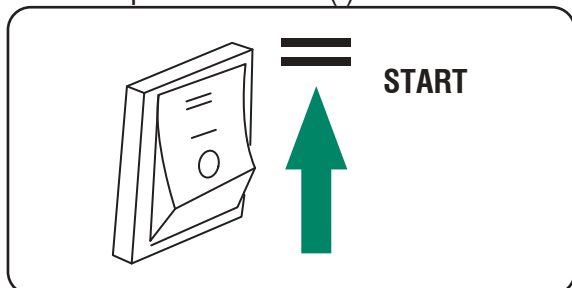
5. Placez le levier de starter en position « START ».



## 6. Démarrage du générateur (démarrage électrique / à rappel)

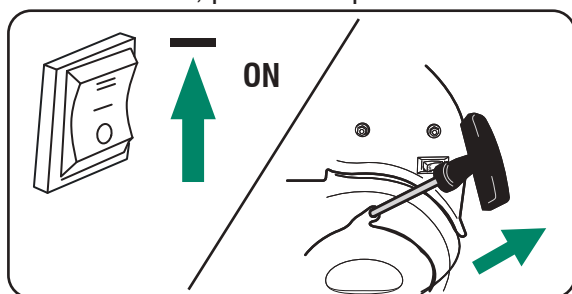
### 6-1. Démarrage électrique

Appuyez et maintenez le commutateur sur la position « **START** » (II). Le moteur tourne à la manivelle et tente de démarrer. Lorsque le moteur démarre, relâchez le commutateur sur la position « **ON** » (I).

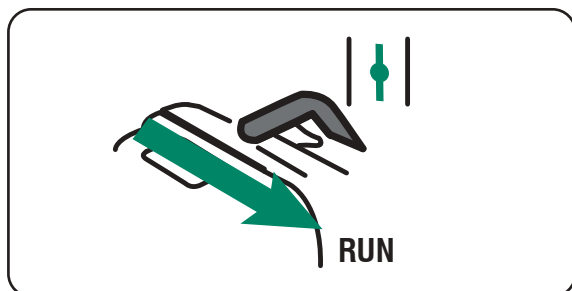


### 6-2. Démarrage par rappel

Basculez l'interrupteur du moteur sur la position « **ON** » (I). Tirez lentement le cordon du démarreur jusqu'à ce qu'une résistance se fasse sentir, puis tirez rapidement.



## 7. Ne pas trop tirer. Dès que le moteur démarre et se réchauffe, mettez le levier de starter en position « **RUN** ».



## 8. Laissez le générateur fonctionner à vide pendant quelques minutes après chaque démarrage initial pour permettre au moteur et au générateur de se stabiliser

### **AVERTISSEMENT**



Le rebond du cordon de démarreur (rétraction rapide) tire la main et le bras vers le moteur plus vite que vous ne pouvez le lâcher, ce qui peut provoquer des os cassés, des fractures, des contusions ou des entorses et entraîner des blessures graves.

Lors du démarrage du moteur, tirez lentement sur le cordon jusqu'à ce que vous sentiez une résistance, puis tirez rapidement pour éviter tout recul.

### **REMARQUE:**

Maintenez le levier de starter en position « **START** » pour seulement 1 traction du démarreur à rappel. Après la première traction, déplacez le levier de starter en position « **RUN** » jusqu'aux 3 tractions suivantes du démarreur à rappel. Un starter trop important entraîne l'encrassement des bougies/le noyage du moteur en raison du manque d'air entrant. Le moteur ne démarrera donc pas.

Si le moteur démarre après 3 tirages mais ne fonctionne pas. Ou si l'appareil s'arrête en cours de fonctionnement, assurez-vous que l'appareil est sur une surface plane et vérifiez que le niveau d'huile dans le carter est correct. Cet appareil peut être équipé d'un dispositif de protection contre le manque d'huile. Si tel est le cas, le niveau d'huile doit être correct pour que le moteur puisse démarrer.

### **Raccordement des charges électriques**

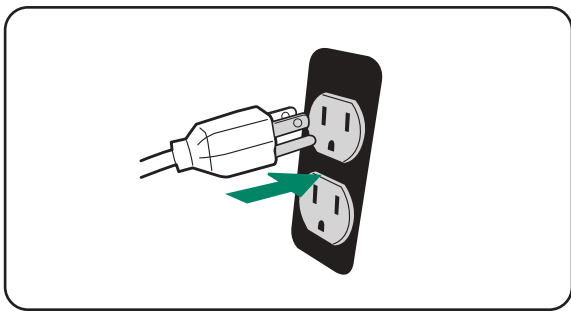
Cette unité a été pré-testée et réglée pour fonctionner à pleine capacité. Avant de démarrer le générateur, déconnectez toutes les charges. N'appliquez la charge qu'une fois le générateur en marche. La tension est régulée par le régime du moteur réglé en usine pour une sortie correcte. Un nouveau réglage annule la garantie.

### **REMARQUE:**

Lorsque vous appliquez une charge, ne dépassez pas la puissance nominale maximale en watts du générateur en utilisant une ou plusieurs prises. De même, ne dépassez pas l'ampérage nominal d'un seul réceptacle.

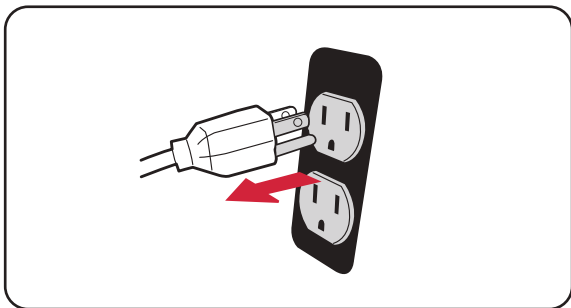
N'appliquez pas de charge électrique importante pendant la période de rodage (les cinq premières heures de fonctionnement).

1. Laissez le moteur se stabiliser et se réchauffer pendant quelques minutes après le démarrage.
2. Assurez-vous que le disjoncteur du panneau de commande est en position de marche
3. Branchez et allumez les charges électriques souhaitées de 120 ou 240 volts CA, monophasé, 60Hz. Il est préférable de fixer d'abord l'élément ayant la plus grande charge.

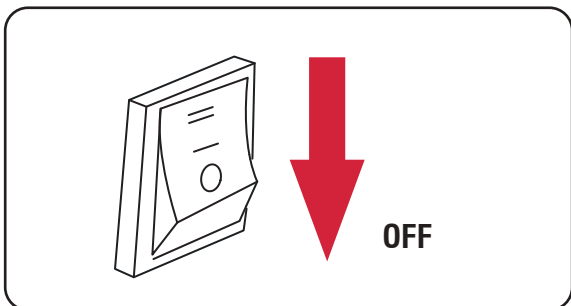


## L'ARRÊT DU MOTEUR

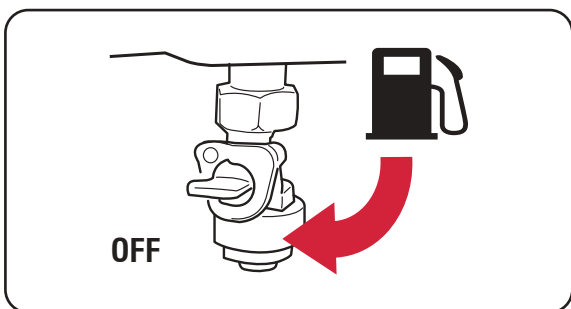
1. Éteignez et retirez toutes les charges électriques. Ne démarrez ou n'arrêtez jamais le générateur lorsque des appareils électriques sont branchés ou allumés. Laissez le générateur fonctionner à vide pendant deux minutes pour stabiliser les températures internes du moteur et du générateur.



2. Appuyez sur l'interrupteur du moteur en position «OFF» (O). Ne quittez pas le générateur avant qu'il ne soit complètement arrêté.



3. Tournez le robinet de carburant sur la position «OFF» (O).



## ⚠ AVERTISSEMENT



Le carburant et ses vapeurs sont extrêmement inflammables et explosifs, ce qui peut provoquer des brûlures, un incendie ou une explosion entraînant la mort ou des blessures graves.

N'arrêtez PAS le moteur en plaçant la commande de starter en position «START»

### REMARQUE:

Assurez-vous toujours que le robinet de carburant est en position «OFF» lorsque le moteur n'est pas utilisé. Si le moteur ne doit pas être utilisé pendant une période de deux semaines ou plus, veuillez consulter la section Stockage pour un stockage approprié du moteur et du carburant.

### Arrêt en cas de manque d'huile

Si l'huile moteur descend en dessous d'un niveau prédéfini, un interrupteur d'huile arrête le moteur. Vérifiez le niveau d'huile à l'aide de la jauge.

Si le niveau d'huile se situe entre les repères LOW et HIGH de la jauge :

1. N'essayez PAS de redémarrer le moteur.
2. Contactez un concessionnaire de service agréé.
3. **NE PAS** faire fonctionner le moteur jusqu'à ce que le niveau d'huile soit corrigé.

Si le niveau d'huile est inférieur au repère LOW de la jauge :

1. Ajoutez de l'huile pour amener le niveau au repère HIGH
2. Redémarrez le moteur et si le moteur s'arrête à nouveau, il se peut que le niveau d'huile soit encore bas. N'essayez PAS de redémarrer le moteur.
3. Contactez le service clientèle.
4. **NE PAS** faire fonctionner le moteur jusqu'à ce que le niveau d'huile soit corrigé.

### Ne pas surcharger le générateur

La surcharge d'un générateur au-delà de sa capacité nominale en watts peut entraîner des dommages au générateur et aux appareils électriques connectés. Pour prolonger la durée de vie de votre générateur et des appareils qui y sont rattachés, suivez les étapes suivantes pour ajouter une charge électrique :

1. Démarrez le générateur sans charge électrique
2. Laissez le moteur tourner pendant plusieurs minutes pour qu'il se stabilise
3. Branchez et allumez le premier élément. Il est préférable d'attacher d'abord l'élément ayant la charge la plus importante.
4. Laissez le moteur se stabiliser.
5. Branchez et mettez en marche l'élément suivant.
6. Laissez le moteur se stabiliser.
7. Répétez les étapes 5-6 pour chaque élément supplémentaire.



# ENTRETIEN ET STOCKAGE

## PROGRAMME D'ENTRETIEN

Un entretien régulier améliorera le rendement et prolongera la durée de vie de votre générateur. Suivez les intervalles du calendrier d'entretien selon l'utilisation qui en est faite.

**REMARQUE:** Des conditions défavorables exigeront des services plus fréquents.

### Inspection à pied

Avant de démarrer le moteur, effectuez une inspection visuelle de l'unité. Recherchez:

- Niveau d'huile moteur adéquat
- Niveau de carburant adéquat
- Fuites de liquide
- Colliers et boulons desserrés
- Conduite de carburant fissurée
- Câbles lâches ou effilochés
- Débris accumulés

Avant chaque utilisation
Vérifier le niveau d'huile moteur Inspection générale
5 premières heures (rodage)
Changez l'huile moteur
25 premières heures ou premier mois
Changez l'huile moteur
Toutes les 100 heures ou tous les 6 mois
Remplacer l'huile moteur Nettoyer le filtre à air Inspecter /ajuster /remplacer la bougie Inspecter /nettoyer /remplacer le pare-étincelles
Toutes les 200 heures ou tous les 12 mois
Remplacer le filtre à air Remplacer la bougie d'allumage Inspecter/réajuster le jeu des soupapes

\* A faire effectuer par un centre de service agréé

### REMARQUE:

Changez l'huile tous les mois lorsque le moteur est soumis à une forte charge ou à des températures élevées. Nettoyez le filtre à air plus souvent dans des conditions de fonctionnement sales ou poussiéreuses. Remplacez le filtre à air s'il ne peut pas être nettoyé correctement

### REMARQUE:

L'entretien doit être effectué plus fréquemment lorsque le générateur est utilisé dans des zones poussiéreuses. Lorsque le générateur a dépassé les chiffres maximums spécifiés dans le tableau, l'entretien doit toujours être effectué selon les intervalles de temps ou d'heures indiqués ici.

### Recommandations générales

Un entretien régulier améliorera les performances et prolongera la durée de vie du générateur. Adressez-vous à un revendeur agréé pour le service. La garantie du générateur ne couvre pas les éléments qui ont été soumis à l'abus ou à la négligence de l'opérateur. Pour bénéficier pleinement de la garantie, l'opérateur doit entretenir le générateur conformément aux instructions de ce manuel. Certains réglages devront être effectués périodiquement pour entretenir correctement votre générateur. Tous les services et réglages doivent être effectués au moins une fois par saison. Suivez les exigences du tableau d'entretien ci-dessus.

## ENTRETIEN DU MOTEUR

Pour éviter tout démarrage accidentel, retirez et mettez à la terre le fil de la bougie avant d'effectuer tout entretien.

### Vérification du niveau d'huile moteur

#### AVERTIR

Évitez tout contact de la peau avec l'huile moteur. Portez des vêtements et un équipement de protection. Lavez toute la peau exposée à l'eau et au savon.

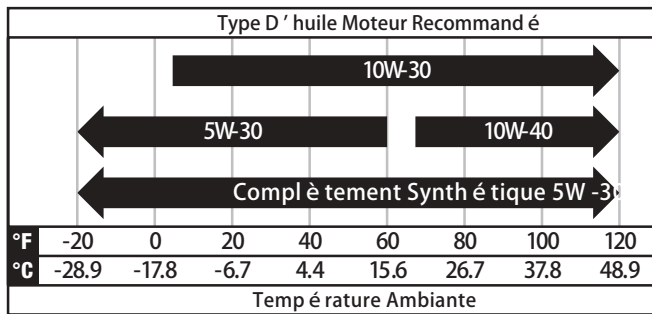
#### NOTIFICATION

Utilisez toujours l'huile moteur spécifiée. Le fait de ne pas utiliser l'huile moteur spécifiée peut entraîner une usure accélérée et/ou réduire la durée de vie du moteur.

Lorsque vous utilisez le générateur dans des conditions extrêmes, sales, poussiéreuses ou par temps extrêmement chaud, changez l'huile plus fréquemment.

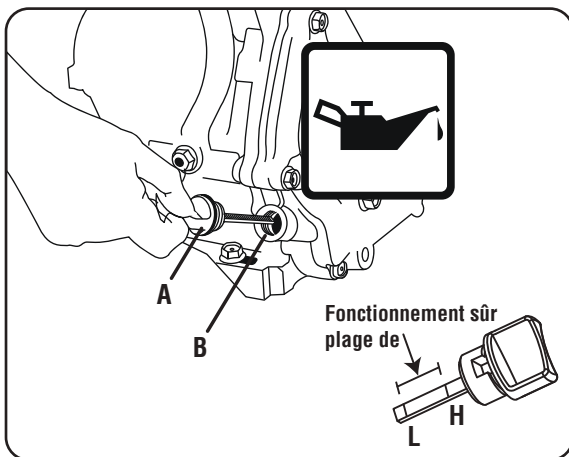
La température de l'air ambiant affecte les performances de l'huile moteur. Changez le type d'huile moteur utilisé en fonction des conditions météorologiques.





Vérifiez le niveau d'huile moteur avant chaque utilisation ou toutes les 8 heures de fonctionnement.

1. Placez le générateur sur une surface plane et laissez le moteur refroidir pendant plusieurs minutes.
2. Avec un chiffon humide, nettoyez autour de la jauge d'huile.
3. Retirez la jauge d'huile (A).
4. Essuyez la jauge, puis vissez la jauge dans le goulot de remplissage (B). Retirez la jauge et vérifiez que le niveau d'huile se situe dans la plage de fonctionnement sûre.
5. Si le niveau est bas, ajoutez progressivement l'huile moteur recommandée et vérifiez à nouveau jusqu'à ce que le niveau se situe entre les repères L et H de la jauge. **NE PAS** trop remplir. Si le niveau dépasse le repère plein de la jauge, vidangez l'huile pour ramener le niveau d'huile au repère plein.
6. Remplacez la jauge d'huile et serrez-la à la main.



### Changer l'huile moteur

Changez l'huile moteur selon le programme d'entretien. Si vous utilisez votre générateur dans des conditions extrêmement sales ou poussiéreuses, ou par temps extrêmement chaud, changez l'huile plus souvent.

### ⚠ AVERTISSEMENT



Risque de brûlures. Laissez le moteur refroidir avant de vidanger l'huile ou le liquide de refroidissement. Le non-respect de cette consigne peut entraîner la mort ou des blessures graves.

### ⚠ AVERTIR

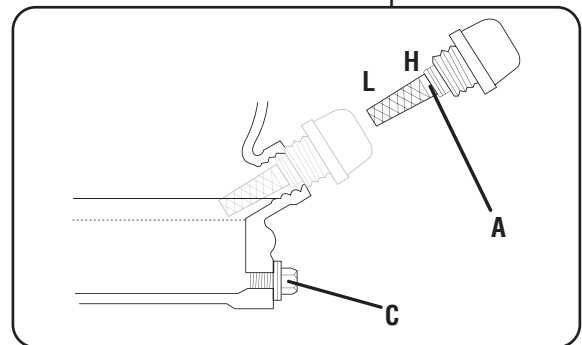
Évitez tout contact cutané prolongé ou répété avec de l'huile moteur usagée.

1. Retirez le bouchon d'huile (A) et nettoyez la jauge avec un chiffon.
2. Placez un récipient sous le bouchon de vidange d'huile pour recueillir le lubrifiant usagé à mesure qu'il s'écoule.
3. Dévissez le bouchon de vidange d'huile (C) et retirez-le
4. Laissez le lubrifiant s'écouler complètement.

#### REMARQUE:

Vidangez le lubrifiant pendant que le moteur est encore chaud, mais pas trop. Le lubrifiant chaud s'écoulera plus rapidement et plus complètement.

5. Réinstallez le bouchon de vidange d'huile (C) et serrez-le fermement.
6. Remplissez le moteur d'huile jusqu'à ce qu'elle atteigne le niveau HAUT (H) du bouchon de remplissage d'huile.
7. Remettez le bouchon d'huile en place.



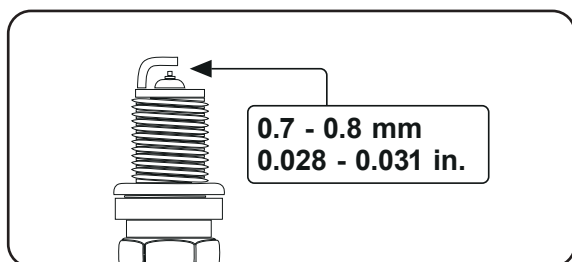
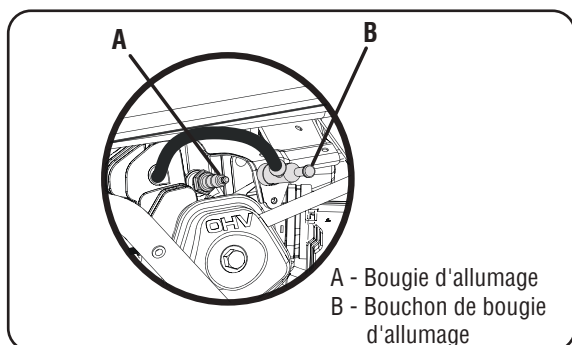
Si vous utilisez de l'huile contaminée ou détériorée ou si la quantité d'huile moteur est insuffisante, le moteur sera endommagé et sa durée de vie sera considérablement réduite. Capacité maximale d'huile : 33.8 fl.oz (1.0L)

### Entretien des bougies d'allumage

La bougie d'allumage doit être correctement espacée et exempte de dépôts afin de garantir le bon fonctionnement du moteur. Pour vérifier :

1. Retirer le capuchon de la bougie d'allumage (B).

2. Nettoyez les saletés à la base de la bougie d'allumage.
  3. Déposer la bougie (A) à l'aide de la clé fournie.
  4. Vérifiez que la bougie n'est pas endommagée et nettoyez-la avec une brosse métallique avant de la réinstaller. Si l'isolant est fissuré ou ébréché, la bougie doit être remplacée.
  5. Mesurez l'écartement de la bougie. L'écartement correct est de 0,028 à 0,031 po. (0,7 à 0,8 mm). Pour élargir l'écartement, si nécessaire, pliez soigneusement l'électrode de masse (supérieure). Pour réduire l'écart, tapez doucement l'électrode de masse sur une surface dure.
  6. Bougie d'allumage du siège en position ; à enfiler à la main pour éviter le croisement.
  7. Serrez avec une clé pour comprimer la rondelle. Si la bougie est neuve, utiliser 1/2 tour pour comprimer la rondelle de manière appropriée. Si vous réutilisez une ancienne bougie, utilisez 1/8 à 1/4 de tour pour comprimer correctement la rondelle.
- REMARQUE:**  
Une bougie mal serrée devient très chaude et peut endommager le moteur
8. Réinstallez le capuchon de la bougie (B).

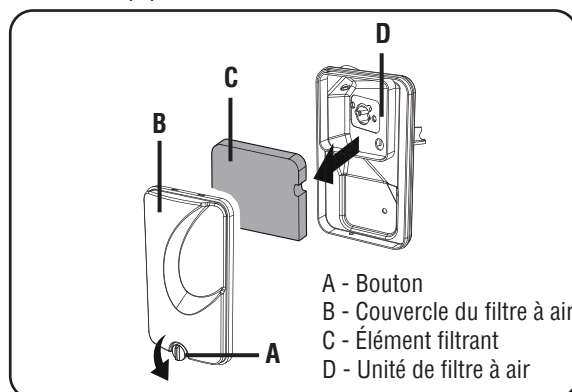


### Entretien du filtre à air

Pour un bon fonctionnement et une longue durée de vie, gardez le filtre à air propre.

1. Tournez le bouton (A) situé sous le couvercle du filtre à air pour le libérer. Retirez le couvercle (B) et mettez-le de côté.
2. Retirez l'élément filtrant (C).
3. Si l'élément filtrant est sale, nettoyez-le à l'eau chaude savonneuse. Rincez et laissez sécher.

4. Appliquez une légère couche de lubrifiant pour moteur sur l'élément, puis essorez-le.
5. Remplacez l'élément (C) dans l'unité de filtre à air.
6. Remplacez le couvercle du filtre à air (B) et fixez le bouton (A).



### Remplacement de la batterie

#### ⚠ AVERTISSEMENT

Risque de brûlure La batterie contient de l'acide sulfurique (électrolyte) qui est très corrosif et toxique. Portez des vêtements de protection et des lunettes de protection lorsque vous travaillez à proximité de la batterie. Tenez les enfants éloignés de la batterie.

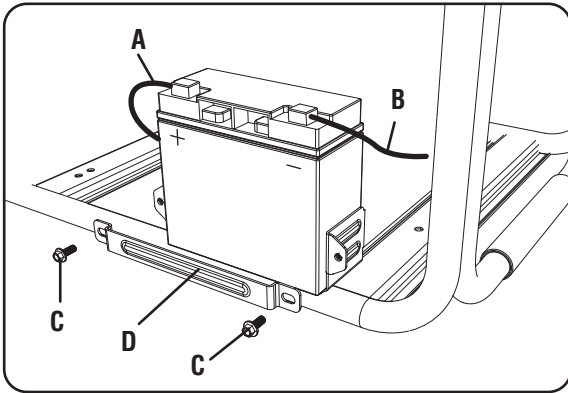
#### ⚠ AVERTIR

Les poteaux et les bornes de la batterie contiennent du plomb et des composés de plomb. Se laver les mains après la manipulation.

1. Retirez le fil de la bougie d'allumage de la bougie d'allumage.
2. Débranchez le câble positif (A) et le câble négatif (B) de la batterie en retirant les boulons (M6x12) et les écrous (M6) des bornes négative et positive de la batterie.
3. Desserrez et retirez les boulons (C) (M6x12) du support de la batterie (D).
4. Remplacez la batterie par une batterie neuve. Spécifications de la batterie : 12V, 12AH plomb-acide scellé. LxWxH : 5,9\*3,4\*5,1 pouces (150\*86\*130 mm)
5. Réinstallez le support de batterie (D) et serrez les boulons (C).
6. Connectez d'abord le câble positif avec la gaine rouge, puis le câble négatif avec la gaine noire. Serrez les boulons et les écrous et couvrez-les avec des gaines.
7. Installez le fil de la bougie sur la bougie d'allumage.

## ⚠ NOTIFICATION

Mettez la batterie usagée au rebut conformément aux directives établies par votre gouvernement local ou régional.

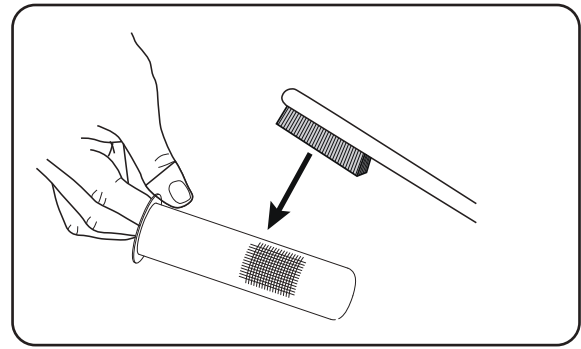
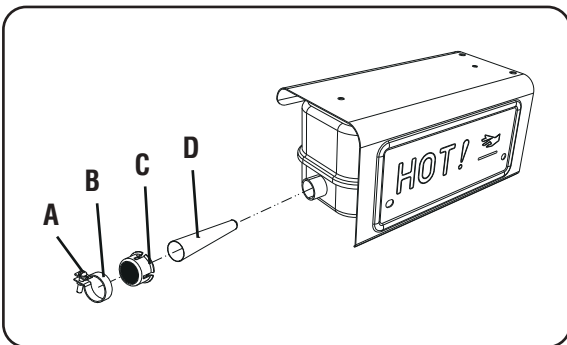


### Nettoyage du pare-étincelles

1. Laissez le moteur refroidir complètement avant de procéder à l'entretien du pare-étincelles.
2. Desserrez la vis (A) pour pouvoir retirer l'étrier (B) et la plaque de recouvrement (C).
3. Retirez la grille du pare-étincelles (D).
4. Enlevez soigneusement les dépôts de carbone de la grille du pare-étincelles avec une brosse métallique.
5. Remplacez le pare-étincelles s'il est endommagé.
6. Positionnez le pare-étincelles sur le silencieux et fixez-le avec les vis retirées à l'étape 2.

#### REMARQUE:

Ce produit est équipé d'un pare-étincelles qui a été évalué par le service forestier de l'USDA ; toutefois, les utilisateurs du produit doivent se conformer aux réglementations fédérales, nationales et locales en matière de prévention des incendies. Vérifiez auprès des autorités compétentes. Contactez le service client ou un centre de service qualifié pour acheter un pare-étincelles de remplacement



### Dégagement de la soupape

**Important:** Veuillez contacter un centre de service agréé pour obtenir de l'aide. Un jeu correct des soupapes est essentiel pour prolonger la durée de vie du moteur. Vérifiez le jeu des soupapes conformément au programme d'entretien.

Le jeu des soupapes	Soupape d'admission	La soupape d'échappement
	0.004~0.006 inch 0.1~0.15 mm	0.006~0.008 inch 0.15~0.2 mm
Couple	10-12 N·M	10-12 N·M

## ⚠ NOTIFICATION

Le contrôle et le réglage du jeu des soupapes doivent être effectués lorsque le moteur est froid.

### MAINTENANCE DU GENERATEUR

Veillez à ce que le générateur soit maintenu propre et stocké correctement. Ne faites fonctionner l'appareil que sur une surface plane et horizontale, dans un environnement de travail propre et sec. **NE PAS** exposer l'appareil à des conditions extrêmes, à un excès de poussière, de saleté, d'humidité ou de vapeurs corrosives.

#### REMARQUE:

**NE PAS** utiliser un tuyau d'arrosage pour nettoyer le générateur. L'eau peut pénétrer dans le générateur par les fentes de refroidissement et endommager les enroulements du générateur. Utilisez un chiffon humide pour nettoyer les surfaces extérieures du générateur. Utilisez une brosse à poils doux pour enlever la saleté et l'huile.

Utilisez un compresseur d'air à 25 PSI (172 kPa) pour enlever la saleté et les débris du générateur. Inspectez tous les événements d'air et les fentes de refroidissement pour vous assurer qu'ils sont propres et non obstrués.

## STOCKAGE

Il est recommandé de démarrer et de faire fonctionner le générateur pendant 30 minutes, tous les 30 jours. Si cela n'est pas possible, reportez-vous au stockage à court terme et à long terme ci-dessous.

### Stockage à court terme

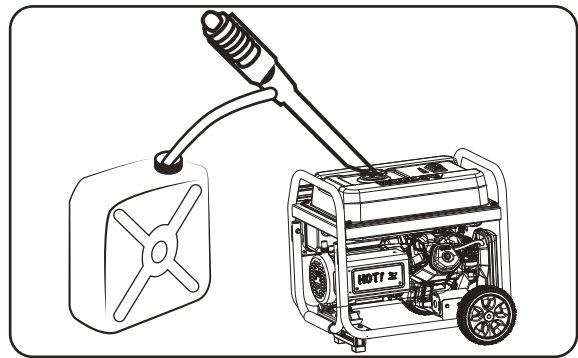
Remplissez le réservoir d'essence fraîche et ajoutez du stabilisateur d'essence. Vidangez la cuvette à flotteur du carburateur

- 1 - Ajoutez un STABILISATEUR D'ESSENCE correctement formulé au réservoir s'il ne l'est pas déjà.
- 2 - Faites tourner le moteur pendant 10 à 15 minutes pour faire circuler le stabilisateur dans tout le système de carburant.
- 3 - Laissez le générateur refroidir pendant au moins 30 minutes, puis videz la cuvette à flotteur du carburateur
- 4 - Nettoyez le générateur et rangez-le dans un endroit frais, sec et bien ventilé, à l'abri de la lumière directe du soleil.

### Stockage à long terme (plus d'un an)

Pour un stockage à long terme, le réservoir d'essence et le carburateur doivent être vidés de leur essence.

- 1 - Une fois le moteur refroidi, retirez toute l'essence du réservoir à l'aide d'un siphon non conducteur.
- 2 - Pour éliminer l'essence restante dans le circuit de carburant :  
a- Maintenez le robinet de carburant ouvert et faites tourner le moteur jusqu'à ce qu'il s'arrête par manque de carburant.  
Ou b- Maintenez le robinet de carburant ouvert et vidangez la cuvette à flotteur du carburateur.
- 3 - Changez l'huile moteur.
- 4 - Retirez la bougie d'allumage
- 5 - Versez une cuillère à soupe ( 5-10cc) d'huile moteur propre dans le cylindre.
- 6 - Tirez plusieurs fois sur le démarreur pour répartir l'huile dans le cylindre.
- 7 - Installez la bougie d'allumage.
- 8 - Tirez lentement sur le lanceur jusqu'à ce que vous sentiez une résistance. Cela ferme les soupapes afin que l'humidité ne puisse pas pénétrer dans le cylindre du moteur. Relâchez doucement le recul.
- 9 - Nettoyez le générateur et rangez-le dans un endroit frais, sec et bien ventilé, à l'abri de la lumière directe du soleil.



### VIDANGE DU BOL À FLOTTEUR

1. Tournez le robinet du réservoir de carburant sur la position OFF.
2. Localisez la vis de vidange au fond de la cuvette à flotteur du carburateur.
3. Placez un récipient d'essence approprié sous la vis de vidange pour récupérer le carburant drainé.
4. Desserrez la vis de vidange de la cuvette à flotteur et laissez le carburant s'écouler. Serrez la vis de vidange de la cuvette à flotteur.

### DANGER

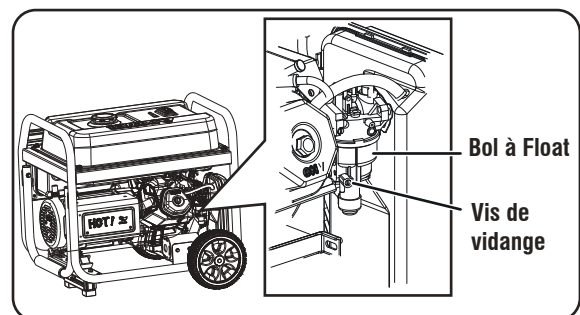


Explosion et incendie. Le carburant et les vapeurs sont extrêmement inflammables et explosifs. Stockez le carburant dans un endroit bien ventilé. Tenir le feu et les étincelles à l'écart. Le non-respect de cette consigne entraînera la mort ou des blessures graves.

### AVERTISSEMENT



Risque d'incendie. Vérifiez que la machine a bien refroidi avant d'installer le couvercle et de ranger la machine. Les surfaces chaudes pourraient entraîner un incendie.

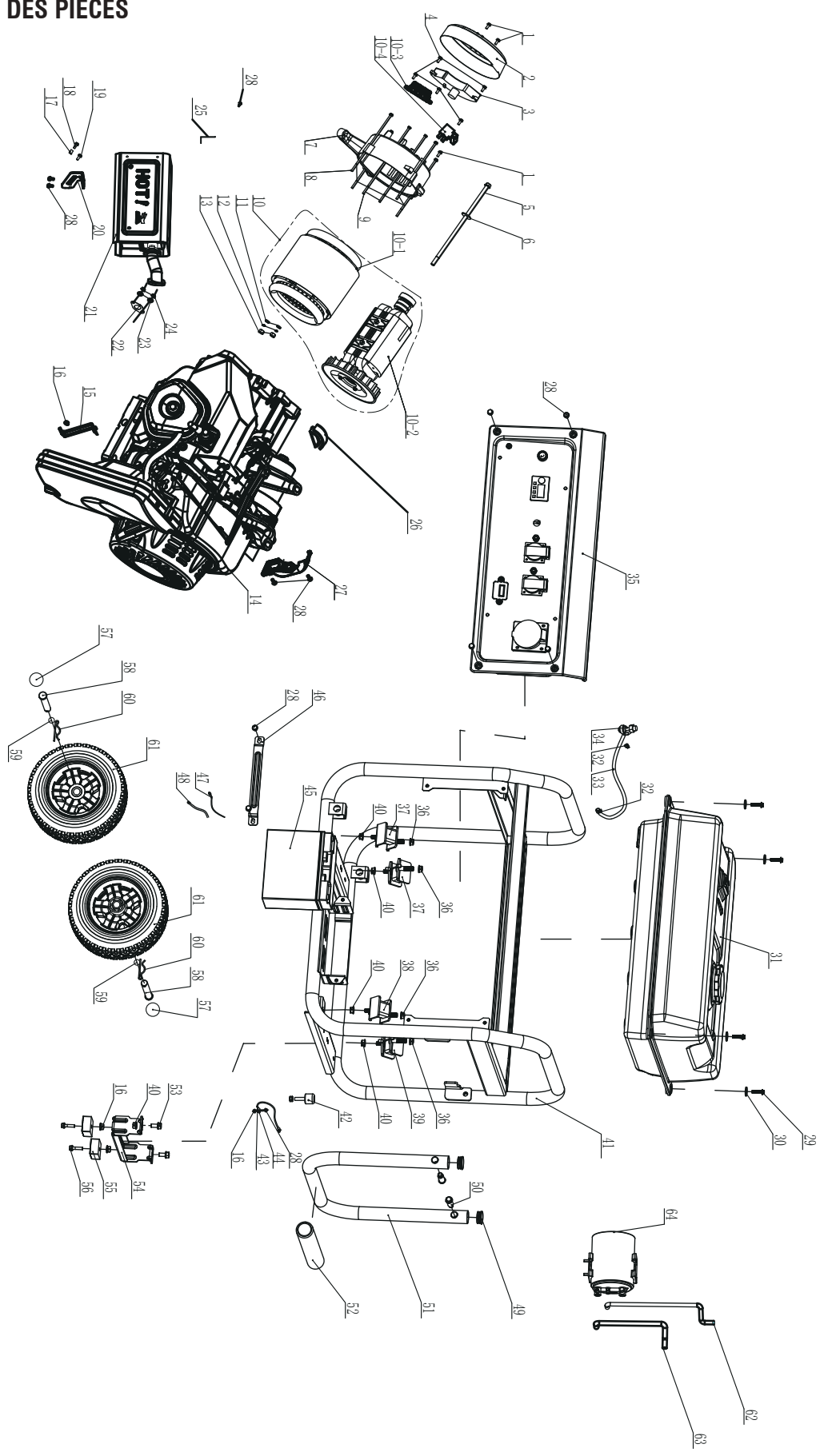


# RECHERCHE DE PANNES

PROBLÈME	CAUSE POSSIBLE	SOLUTION
Le moteur tourne, mais aucune sortie CA n'est disponible.	<ol style="list-style-type: none"> <li>1. Le disjoncteur CA est ouvert.</li> <li>2. Défaut dans le générateur.</li> <li>3. Mauvaise connexion ou cordon défectueux.</li> <li>4. L'appareil connecté est mauvais.</li> <li>5. La prise DDFT est ouverte (si équipée).</li> </ol>	<ol style="list-style-type: none"> <li>1. Vérifiez la charge CA et réarmez le disjoncteur.</li> <li>2. Contactez le service client ou un centre de service agréé.</li> <li>3. Vérifiez et réparez.</li> <li>4. Connectez un autre appareil qui est en bon état.</li> <li>5. Corrigez le défaut de terre et appuyez sur le bouton de réinitialisation de la prise DDFT.</li> </ol>
Le moteur fonctionne bien à vide, mais « s'embourbe » lorsque des charges sont connectées.	<ol style="list-style-type: none"> <li>1. Court-circuit dans une charge connectée.</li> <li>2. Le régime du moteur est trop lent.</li> <li>3. Le générateur est surchargé.</li> <li>4. Circuit du générateur court-circuité.</li> <li>5. Filtre à carburant obstrué ou sale.</li> <li>6. L'appareil connecté est mauvais.</li> </ol>	<ol style="list-style-type: none"> <li>1. Débranchez la charge électrique court-circuitée.</li> <li>2. Contactez le service client ou un centre de service agréé.</li> <li>3. Réduisez la charge.</li> <li>4. Contactez le service client ou un centre de service agréé.</li> <li>5. Nettoyez ou remplacez le filtre à carburant.</li> <li>6. Connectez un autre appareil qui est en bon état.</li> </ol>
Le moteur ne démarre pas ; il démarre et tourne de façon irrégulière ou s'arrête en cours de fonctionnement	<ol style="list-style-type: none"> <li>1. L'interrupteur du moteur est sur la position OFF (O).</li> <li>2. Le robinet de carburant est en position OFF (O).</li> <li>3. Niveau d'huile bas.</li> <li>4. Filtre à air sale.</li> <li>5. Manque de carburant.</li> <li>6. Carburant éventé.</li> <li>7. Le fil de la bougie d'allumage n'est pas connecté à la bougie d'allumage.</li> <li>8. Bougie d'allumage défectueuse.</li> <li>9. Eau dans le carburant.</li> <li>10. Inondé.</li> <li>11. Mélange de carburant excessivement riche.</li> <li>12. Soupape d'admission bloquée ouverte ou fermée.</li> <li>13. Le moteur a perdu sa compression.</li> <li>14. Filtre à carburant obstrué ou sale.</li> <li>15. Écran du pare-étincelles obstrué ou sale.</li> <li>16. La batterie est déchargée.</li> <li>17. Les connexions du câble de la batterie sont lâches</li> </ol>	<ol style="list-style-type: none"> <li>1. Placez l'interrupteur du moteur sur la position ON (I).</li> <li>2. Placez le robinet de carburant sur la position ON (I).</li> <li>3. Remplissez le carter au niveau approprié ou placez le générateur sur une surface plane.</li> <li>4. Nettoyez ou remplacez le filtre à air.</li> <li>5. Remplissez le réservoir de carburant.</li> <li>6. Vidangez le réservoir de carburant et le carburateur ; remplissez avec du carburant frais.</li> <li>7. Connectez le fil à la bougie d'allumage.</li> <li>8. Remplacez la bougie d'allumage.</li> <li>9. Vidangez le réservoir d'essence et le carburateur ; remplissez avec du carburant frais.</li> <li>10. Attendez 5 minutes et remettez le moteur en marche.</li> <li>11. Contactez le service client ou un centre de service agréé.</li> <li>12. Contactez le service client ou un centre de service agréé.</li> <li>13. Contactez le service client ou un centre de service agréé.</li> <li>14. Remplacez le filtre à carburant.</li> <li>15. Nettoyez ou remplacez l'écran du pare-étincelles.</li> <li>16. Chargez la batterie. Utilisez la poignée de recul pour démarrer le générateur.</li> <li>17. Assurez-vous que les câbles de la batterie sont bien connectés à la batterie.</li> </ol>
Le moteur manque de puissance.	<ol style="list-style-type: none"> <li>1. La charge est trop élevée.</li> <li>2. Filtre à air sale.</li> <li>3. Filtre à carburant obstrué ou sale.</li> <li>4. Écran du pare-étincelles obstrué ou sale.</li> <li>5. Le moteur a besoin d'être entretenu.</li> <li>6. Mauvais carburant.</li> </ol>	<ol style="list-style-type: none"> <li>1. Réduisez la charge.</li> <li>2. Remplacez le filtre à air.</li> <li>3. Nettoyez ou remplacez le filtre à carburant.</li> <li>4. Nettoyez ou remplacez l'écran du pare-étincelles.</li> <li>5. Contactez le service client ou un centre de service agréé.</li> <li>6. Vidangez le réservoir d'essence et le carburateur ; remplissez avec du carburant frais.</li> </ol>
Le moteur a du mal à suivre ou s'essouffle.	<ol style="list-style-type: none"> <li>1. Le carburateur est trop riche ou trop pauvre.</li> <li>2. Filtre à carburant obstrué ou sale.</li> <li>3. Le starter est ouvert trop tôt.</li> </ol>	<ol style="list-style-type: none"> <li>1. Contactez le service client ou un centre de service agréé.</li> <li>2. Remplacez le filtre à carburant.</li> <li>3. Réglez le volet de départ à mi-chemin jusqu'à ce que le moteur tourne sans à-coups.</li> </ol>
Le moteur s'arrête en marche.	<ol style="list-style-type: none"> <li>1. Manque de carburant.</li> <li>2. Filtre à air encrassé.</li> <li>3. Niveau d'huile bas.</li> </ol>	<ol style="list-style-type: none"> <li>1. Remplissez le réservoir de carburant.</li> <li>2. Nettoyez ou remplacez le filtre à air.</li> <li>3. Remplissez le carter au niveau approprié ou placez le générateur sur une surface plane.</li> </ol>



## DIAGRAMME DES PIÈCES



## Liste des pièces

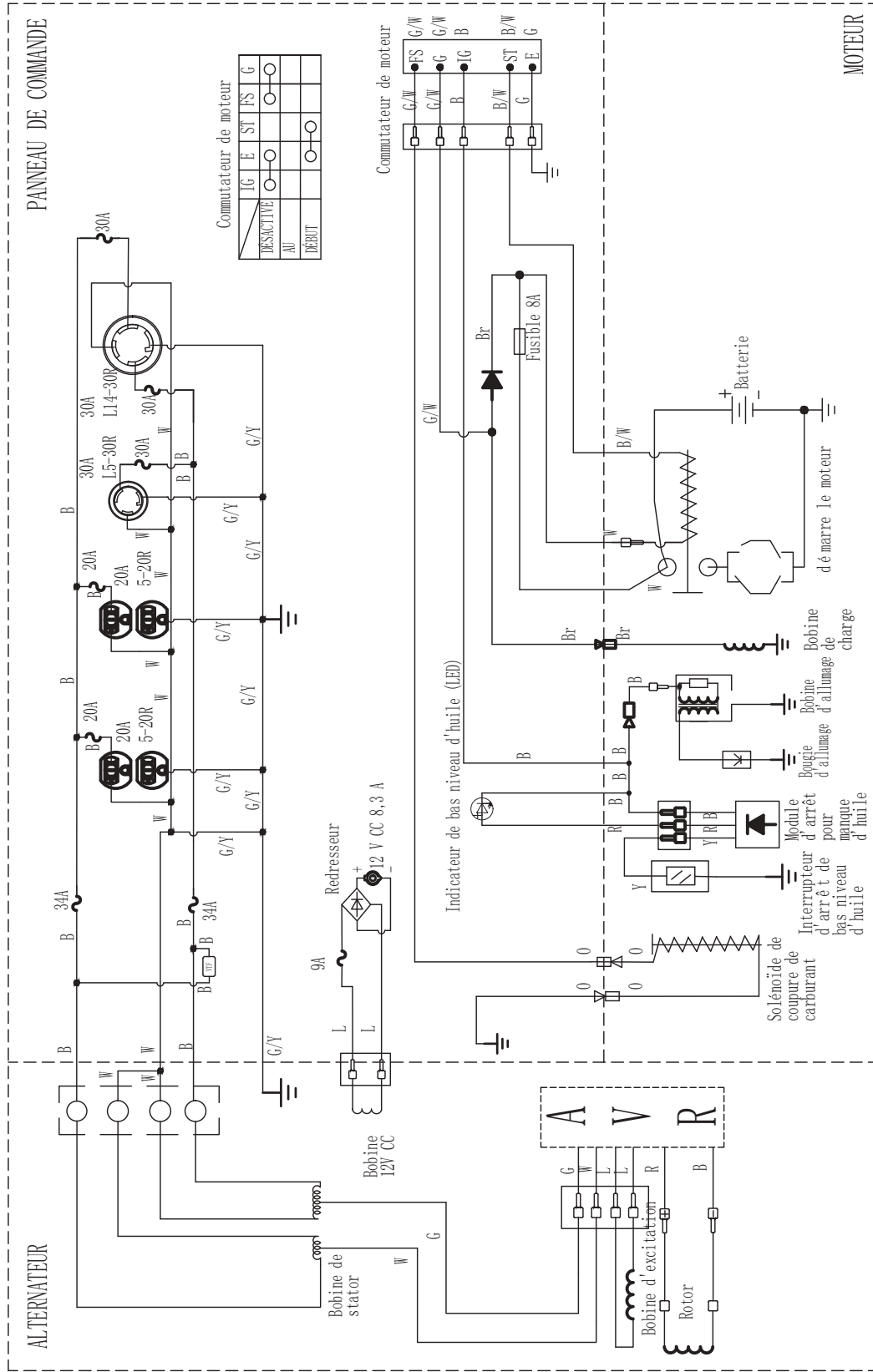
NO.	Numéro de pièce	La description	Qté.
1	30101-00326-00	Boulon à bride M5*12	4
2	33082-00171-00	Couvre-queue	1
3	20044-00104-00	Régulateur	1
4	30101-00329-00	Boulon à bride M5*16	5
5	30101-00113-00	Boulon à bride M10*310	1
6	30136-00016-00	Rondelles plates	1
7	33085-00058-00	Support d'alternateur	1
8	30101-00090-00	Boulon à bride M6*200	4
9	30100-00033-00	Boulon hexagonal M5*225	2
10	20029-10551-00	Rotor-stator	1
10-1	/	Stator	1
10-2	/	Rotor	1
10-3	/	Terminal	1
10-4	/	Brosse en carbone	1
11	30136-00012-00	Rondelles plates	2
12	30139-00005-00	Rondelle à ressort	2
13	30128-00008-00	Écrou en nylon M5	2
14	20260-02343-03	Moteur	1
15	33499-00016-00	Support de filtre à air	1
16	30125-00019-00	Écrou à embase M6	6
17	34032-00017-00	bague	1
18	30101-00387-00	Boulon à bride M8*32	1
19	30101-00361-00	Boulon à bride M8*25	1
20	20249-00082-00	Pièces de support	1
21	20202-00352-00	Silencieux	1
22	33048-00093-00	Joint de silencieux	2
23	30139-00036-00	Rondelle à ressort	2
24	30121-00007-00	Écrou hexagonal M8	2
25	33138-00009-00	Défecteur de couvercle de carter	1
26	33138-00017-00	Caoutchouc anti-poussière	1
27	20184-00007-00	Blindage de fil	1
28	30101-00339-00	Boulon à bride M6*12	11
29	30101-00407-00	Boulon à bride M6*25	6
30	30136-00074-00	Joint de réservoir de carburant	4
31	20130-00451-00	Réservoir d'essence	1
32	34024-00002-00	Serrer	2
33	34023-00004-00	Tuyau de carburant	0.18
34	20133-00002-00	Vanne de carburant	1
35	20114-03797-00	Panneau de commande	1

NO.	Numéro de pièce	La description	Qté.
36	30125-00026-00	Écrou à embase M10	4
37	34030-00040-00	Support d'amortissement	2
38	34030-00039-00	Support d'amortissement A	1
39	34030-00044-00	Support d'amortissement B	1
40	30125-00023-00	Écrou à embase M8	6
41	20090-01329-00	Composants du rack	1
42	34030-00009-00	Amortisseur	1
43	33301-00010-00	Coussin à ressort	1
44	20196-00122-00	Pièces de harnais	1
45	31002-00013-00	Batterie	1
46	20217-00038-00	Plaque de pression	1
47	20196-00271-00	Pièces de harnais	1
48	20196-00272-00	Pièces de harnais	1
49	33126-00008-00	Prise de courant	2
50	33580-00035-00	Goupille de fixation	2
51	20135-00283-02	Tube de poignée	1
52	33015-00012-00	Manchon de caoutchouc	1
53	30101-00355-00	Boulon à bride M8*16	2
54	20014-00117-03	Pièces de support	1
55	34030-00079-00	Tampon en caoutchouc	2
56	30101-00341-00	Boulon à bride M6*16	4
57	33141-00027-00	Enjoliveurs	2
58	34031-00027-00	Axe d'essieu	2
59	30136-00086-00	Rondelles plates	2
60	34006-00020-00	goupille	2
61	20134-00024-00	Assemblage de roue	2
62	34023-00197-00	Tuba	1
63	34023-00198-00	Tuba	1
64	34038-00057-00	Bidon de carbone	1



# Schéma du circuit Modèle : AP10000E

Système de mise à la terre (CA) : Neutre collé à la monture    Système de mise à la terre (CC) : Système flottant



# Garantie

## **GARANTIE LIMITÉE**

CONSERVEZ VOTRE REÇU. Une preuve d'achat sera exigée pour justifier toute demande de garantie.

CE QUI EST COUVERT: A-iPower Corp. garantit à l'acheteur au détail original aux Etats-Unis d'Amérique ou au Canada que ce produit est exempt de défauts matériels et de fabrication et s'engage, à la demande de A-iPower Corp., à réparer, fournir des pièces de rechange ou remplacer (sans frais de pièces ou de main-d'œuvre) tout produit ou composant présentant un défaut matériel pendant une période de 1 ans à compter de la date d'achat, sauf dans les cas limités ci-dessous. Le service de garantie et les pièces de rechange ne sont garantis que pour la durée de la garantie du produit d'origine. Toutes les pièces ou produits remplacés deviennent la propriété de A-iPower Corp.

Ce produit est également couvert par une garantie du système de contrôle des émissions qui est distincte de la garantie et s'y ajoute.

### **Garantie**

Garantie limitée A-iPower – 1 an résidentiel et 1 an commercial.

La garantie résidentielle de 1 an s'applique comme suit : 1er année Pièces et main-d'œuvre.

SEULEMENT Merci d'avoir choisi les produits A-iPower. Pour assurer l'enregistrement correct de la garantie de votre produit, veuillez soumettre votre enregistrement de garantie accompagné de la preuve d'achat dans les 10 jours suivant la date d'achat, ceci peut être fait par

a) En remplissant le formulaire d'enregistrement de la garantie à la fin de ce manuel et en l'envoyant par courrier à :

A-IPOWER CORP 10887 COMMERCE WAY UNIT  
A FONTANA CA 92337 USA

b) isitez-nous sur [www.a-ipower.com](http://www.a-ipower.com) et cliquez sur l'icône d'enregistrement du produit.

### **Durée de la garantie**

A-iPower fournira une garantie pour n'importe lequel de ses produits achetés par l'intermédiaire d'un revendeur A-iPower autorisé en Amérique du Nord à l'acheteur original et sera garanti contre les défauts de matériel ou de fabrication pour une période de (1) ans pour une utilisation par un consommateur à partir de la date d'achat, sous réserve des exclusions notées dans le présent document. Les applications commerciales et de location sont garanties pour une période d'un (1) an à partir de la date d'achat.

« Utilisation par le consommateur » - utilisation résidentielle par un consommateur au détail.

« Utilisation commerciale » - toute autre utilisation à des fins commerciales, d'affaires, industrielles ou de location.

### **Comment obtenir un service de garantie**

Veuillez appeler notre service clientèle.

1-855-888-3598

or e-mail to [support@a-ipower.com](mailto:support@a-ipower.com)

Veuillez-vous munir des informations nécessaires - numéro de modèle, numéro de série, preuve d'achat.

### **NE PAS RETOURNER LE PRODUIT AU LIEU D'ACHAT**

Le service clientèle d'A-iPower répondra à toutes les questions relatives au produit, aidera à résoudre les problèmes et enverra gratuitement toutes les pièces de rechange nécessaires pendant la période de garantie du produit. Si le problème ne peut être résolu, le service clientèle d'A-iPower déterminera et autorisera, à sa discrétion, le diagnostic et la réparation par l'intermédiaire de l'un de ses centres de service agréés. A-iPower Corp peut, à sa discrétion, choisir de remplacer une pièce, un composant ou un produit. L'entretien ou le remplacement de pièces dans un atelier de réparation non autorisé sans autorisation préalable ne sera pas couvert par cette garantie

### **Exclusions de garantie**

Cette garantie ne couvre pas les éléments suivants :  
Usure et entretien réguliers - cette garantie ne couvre pas les réparations lorsque l'utilisation normale a épuisé la durée de vie d'une ou de plusieurs pièces ou du moteur.. Installation et entretien - cette garantie ne couvre pas l'assemblage incorrect ou non autorisé, l'altération, la modification ou tout autre dommage résultant d'une mauvaise utilisation ou d'une négligence.  
Pièces d'entretien normal - cette garantie ne couvre pas les bougies d'allumage, les filtres à air, les réglages ou tout autre service connexe dû à des obstructions et autres accumulations résultant d'un entretien incorrect.. Exclusions supplémentaires - cette garantie ne couvre pas les pièces d'usure telles que les filtres, les bougies d'allumage, les joints toriques, les batteries, etc. Elle ne couvre pas les défauts esthétiques tels que les rayures de la peinture, les décalcomanies, etc. Elle ne couvre pas les dommages résultant de l'utilisation de pièces non

originales du fabricant, de l'utilisation de pièces du marché secondaire. Elle ne couvre pas les défaillances dues à des actes de Dieu et à d'autres événements de force majeure indépendants de la volonté du fabricant

### **Limites et implications de la garantie et dommages consécutifs**

A-iPower n'est pas tenu de couvrir toute perte de temps, d'utilisation du produit, de frais de transport ou toute autre réclamation accessoire ou consécutive à l'utilisation de ce produit. Cette garantie remplace toute autre garantie, expresse ou implicite.. Cette garantie vous donne des droits légaux spécifiques qui varient d'un état à l'autre

### **DIRECTIVES POUR LE RETOUR DES MARCHANDISES**

- Tous les produits doivent être retournés dans leur emballage original ou équivalent. Les retours mal emballés ne seront pas acceptés.
- Doit avoir un emballage adéquat pour le transport.
- La loi fédérale exige que toutes les machines qui utilisent de l'essence, de l'huile ou d'autres liquides inflammables soient entièrement vidangées avant d'être expédiées.
- Les bouchons de gaz et les bouchons d'huile doivent être laissés enlevés pendant 24 heures avant l'expédition. Notez : la responsabilité de cette violation de la loi incombe à l'expéditeur de l'envoi.
- Retourner à l'adresse indiquée dans l'autorisation de retour, en utilisant le service de colis requis. Les unités retournées sans autorisation ne seront pas honorées.
- Veuillez noter : Les remboursements ne seront pas accordés pour les articles qui ont été modifiés ou endommagés par un abus ou une utilisation non conforme aux instructions du produit









Fontana, CA 92337 USA  
Téléphone: 1-855-888-3598  
[support@a-ipower.com](mailto:support@a-ipower.com)  
[www.a-ipower.com](http://www.a-ipower.com)





## FORMULAIRE D'ENREGISTREMENT DE LA GARANTIE A-iPOWER

Enregistrez votre produit en envoyant ce formulaire à support@a-ipower.com ou en vous inscrivant en ligne sur www.a-ipower.com.

L'enregistrement de votre produit est important, il offre les protections suivantes :

1. Vous avez une trace du produit acheté
2. Le service clientèle peut mieux vous servir pour les questions liées à la garantie.
3. Nous pouvons vous contacter dans le cas peu probable où une notification serait nécessaire.

### Informations sur le client :

Nom : \_\_\_\_\_  
Téléphone: \_\_\_\_\_  
Courriel : \_\_\_\_\_  
Adresse : \_\_\_\_\_  
Ville, État : \_\_\_\_\_  
Code postal : \_\_\_\_\_  
Date d'achat : \_\_\_\_\_

### Informations sur le produit :

Numéro  
de série

Modèle  
n

Le numéro de série se trouve sur le moteur.  
VEUILLEZ NOTER : Votre générateur ne peut être enregistré sans les numéros de modèle et de série.

1. LE PRODUIT A ÉTÉ ACHETÉ POUR :  
A.  Nettoyage résidentiel  
B.  Autres \_\_\_\_\_
2. CE PRODUIT EST UN : (sélectionnez une option)  
A.  Premier achat  
B.  Remplacement
3. COMMENT AVEZ-VOUS DÉCOUVERT CE PRODUIT ? (sélectionnez une option)  
A.  Radio  
B.  Affichage en magasin  
C.  Contractant  
D.  Salon professionnel  
G.  Direct Mail  
H.  Par un ami, un parent ou un voisin  
I.  Internet  
J.  Autre \_\_\_\_\_

4. VEUILLEZ ÉVALUER LES ÉLÉMENTS SUIVANTS :

	Entièrement satisfait			Pas du tout Satisfait	
	5	4	3	2	1
Valeur du produit pour le prix payé	<input type="checkbox"/>	<input type="checkbox"/>	<input type="checkbox"/>	<input type="checkbox"/>	<input type="checkbox"/>
Performance	<input type="checkbox"/>	<input type="checkbox"/>	<input type="checkbox"/>	<input type="checkbox"/>	<input type="checkbox"/>
Caractéristiques	<input type="checkbox"/>	<input type="checkbox"/>	<input type="checkbox"/>	<input type="checkbox"/>	<input type="checkbox"/>
Apparence du produit	<input type="checkbox"/>	<input type="checkbox"/>	<input type="checkbox"/>	<input type="checkbox"/>	<input type="checkbox"/>
Garantie	<input type="checkbox"/>	<input type="checkbox"/>	<input type="checkbox"/>	<input type="checkbox"/>	<input type="checkbox"/>
Facilité d'entretien	<input type="checkbox"/>	<input type="checkbox"/>	<input type="checkbox"/>	<input type="checkbox"/>	<input type="checkbox"/>
Niveau de bruit	<input type="checkbox"/>	<input type="checkbox"/>	<input type="checkbox"/>	<input type="checkbox"/>	<input type="checkbox"/>

5. Seriez-vous prêt à recommander A-iPOWER à votre famille ou à vos amis ?
- |  | Extrêmement efficace     |                          |                          | Pas du tout probable     |                          |
|--|--------------------------|--------------------------|--------------------------|--------------------------|--------------------------|
|  | 5                        | 4                        | 3                        | 2                        | 1                        |
|  | <input type="checkbox"/> | <input type="checkbox"/> | <input type="checkbox"/> | <input type="checkbox"/> | <input type="checkbox"/> |

Déclaration de confidentialité : A-ipower s'engage à respecter votre vie privée et à se conformer à la réglementation relative à la protection des données personnelles. Les données d'enquête que nous recueillons sont destinées à des fins de marketing ou de soutien aux produits et à des informations démographiques sur l'ensemble du public qui enregistre leurs produits.



Fontana, CA 92337 USA  
Téléphone: 1-855-888-3598  
[support@a-ipower.com](mailto:support@a-ipower.com)  
[www.a-ipower.com](http://www.a-ipower.com)